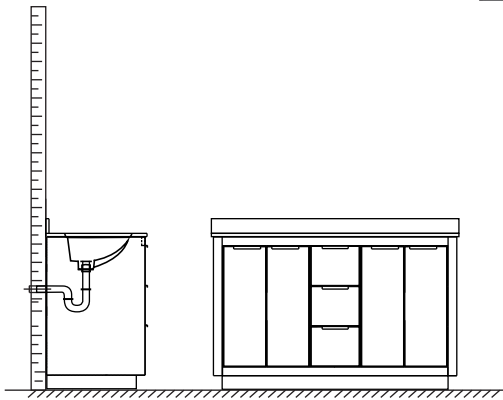
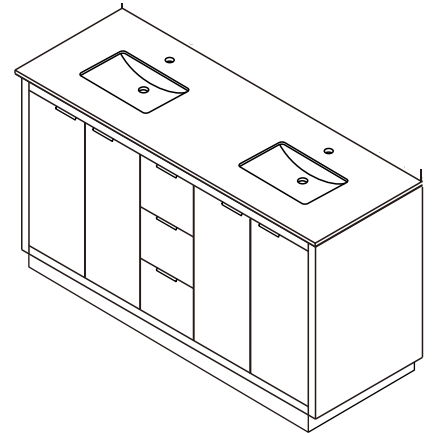


# EVIVA COLLECTION

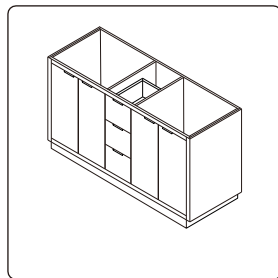
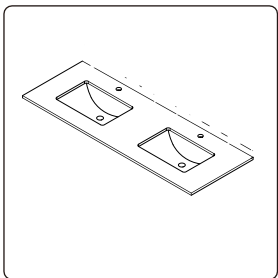


- Prior to installation please check received items against the "Packing List". Please report any missing items to your retailer immediately.
- Protect all surfaces from sharp objects, high heat sources, direct prolonged sunlight and chemical hazards.
- Professional installation recommended.
- Please install on a level surface. If minor door and drawer alignment is required, please follow the easy directions below.

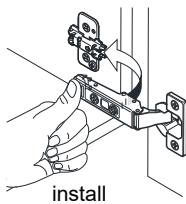


## PACKING LIST

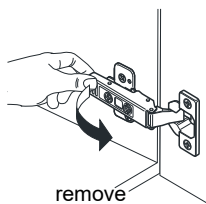
(Not all components may be included, depending upon your purchase)



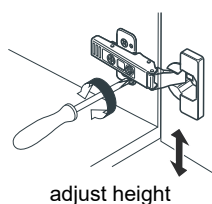
## HOW TO ADJUST HINGES (if required)



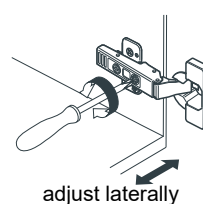
install



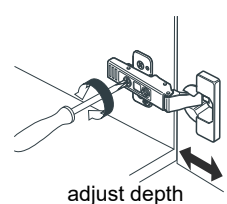
remove



adjust height



adjust laterally

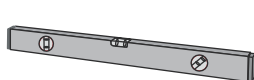


adjust depth

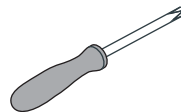
## REQUIRED TOOLS NOT IN BOX



Silicone sealant



Spirit Level

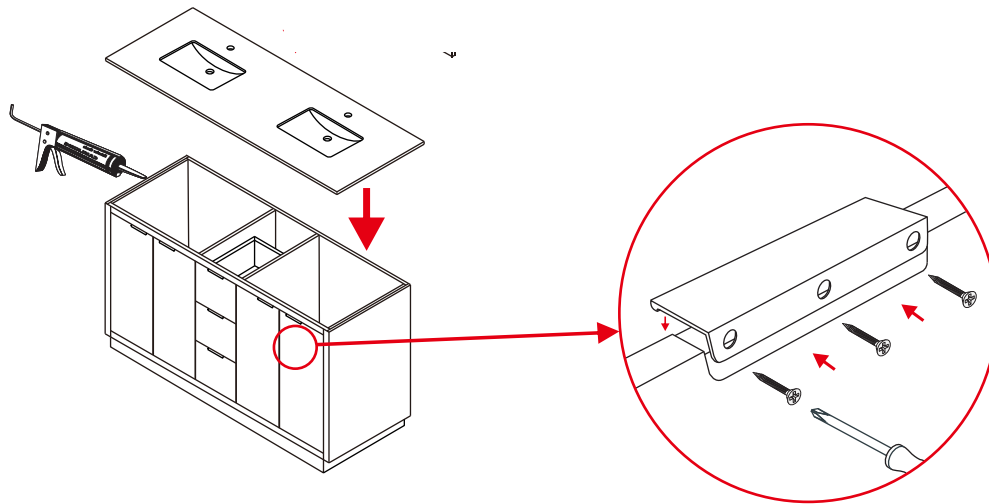


Phillips Screwdriver

# LUGANO Installation Guide

# EVIVA COLLECTION

## INSTALLATION INSTRUCTIONS



- ① Install the counter. Seal around the top of the cabinet with clear silicone sealant. Do not over apply. Allow to dry 24 hours for proper curing.
- ② Remove the handles from inside the cabinet doors and drawers and reinstall on the outside. Do not over tighten when reattaching.

