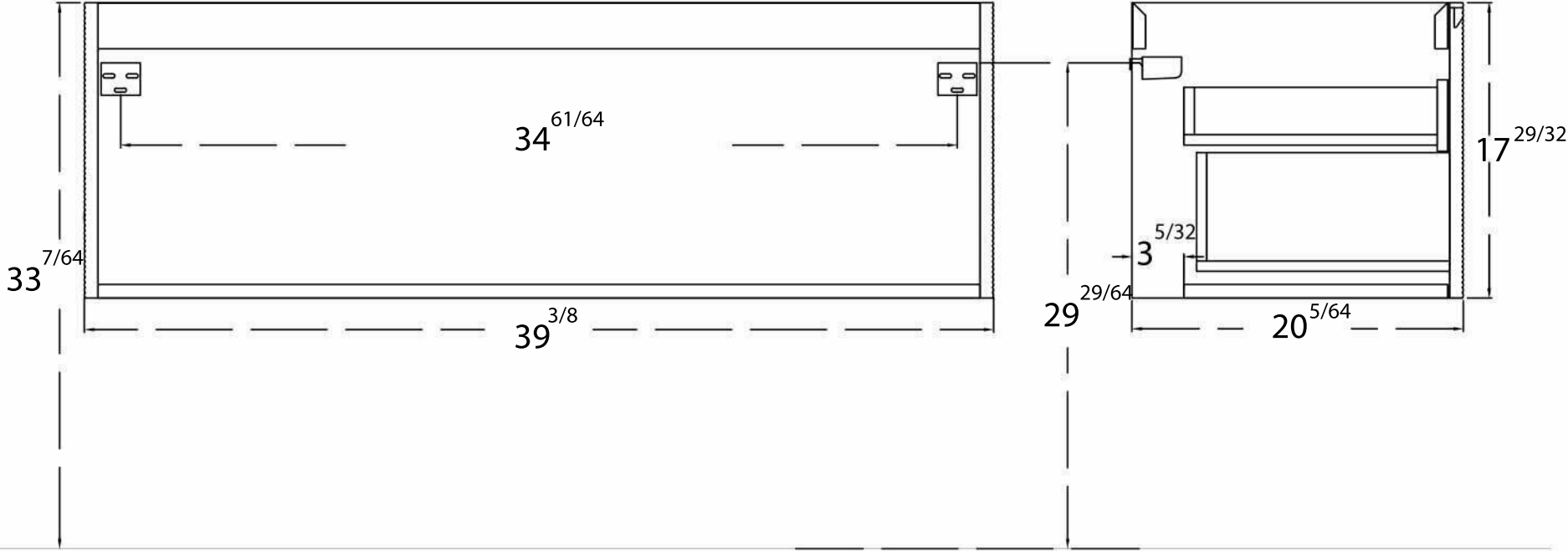
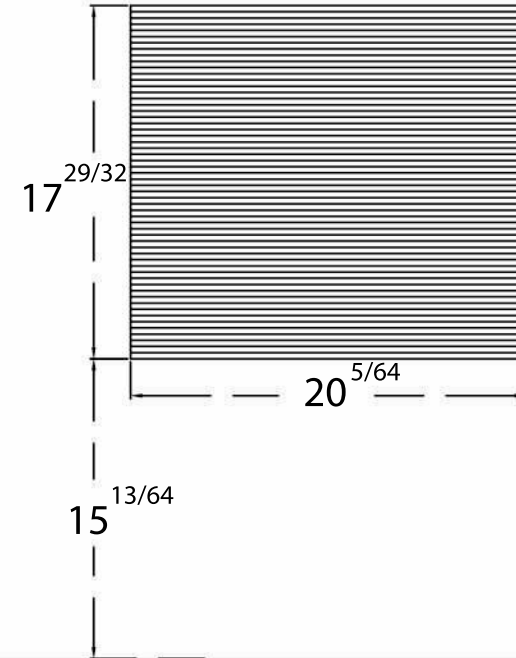
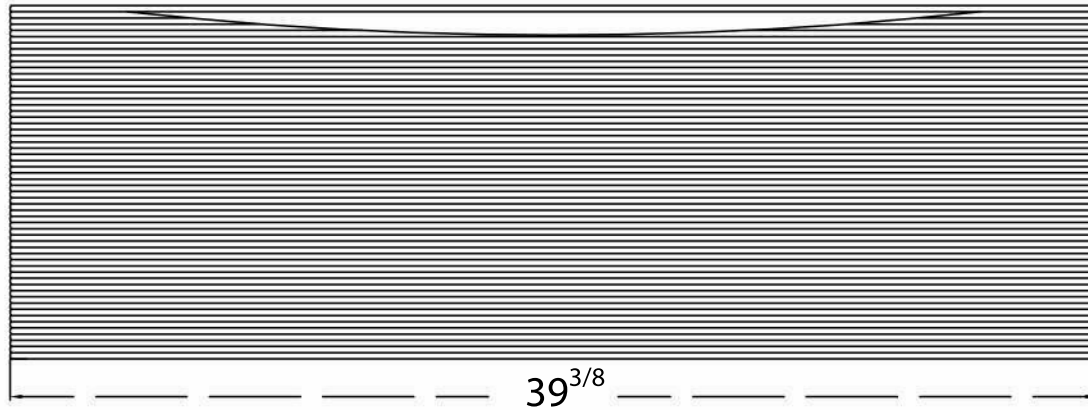


Wall Fixings



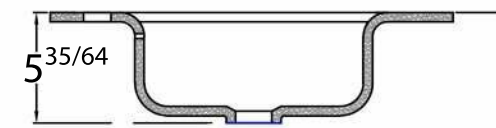
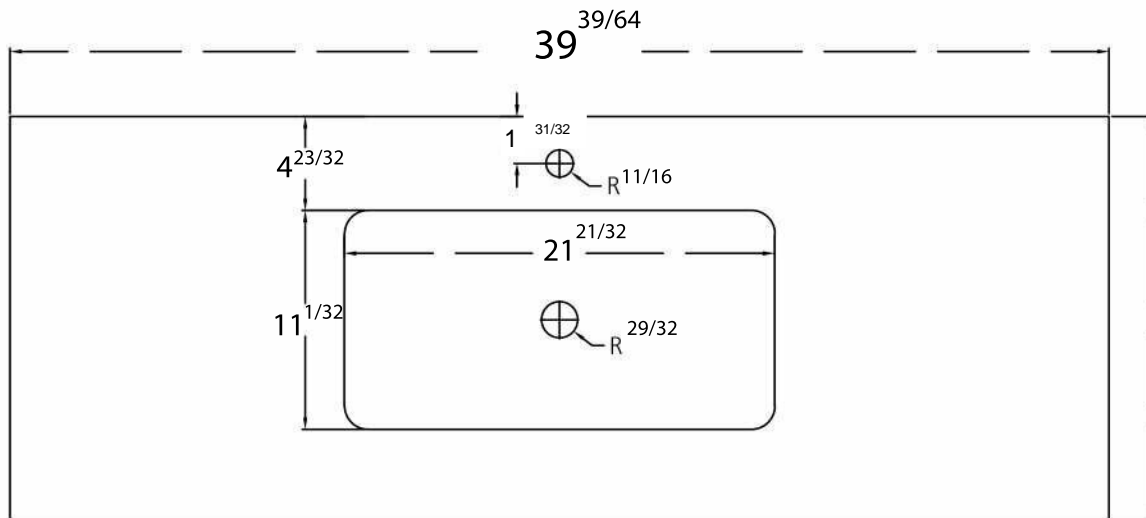
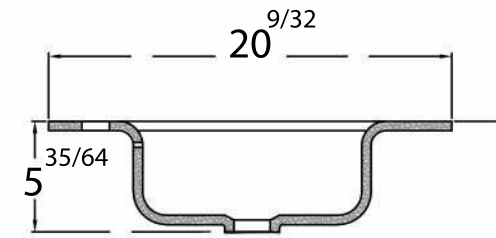
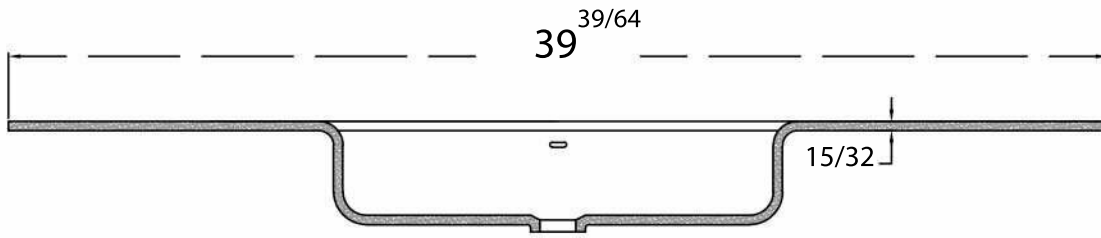
Tolerance ± 5/64

MATERIAL		FINISH	DIMENSIONS		PIECE
		Lacquer / Melamine	39 ^{3/8} x 20 ^{5/64} x 17 ^{29/32}		LEAH INSTALLATION
DESIGN	DATE	UNITS	PAGE	PAGES	SERIES
	June 2023	Inches	1	2	LEAH EVVN115-39MOK-UM



Tolerance $\pm 5/64$

MATERIAL		FINISH	DIMENSIONS		PIECE
		Lacquer / Melamine	39 ^{3/8} x 20 ^{5/64} x 17 ^{29/32}		LEAH INSTALLATION
DESIGN	DATE	UNITS	PAGE	PAGES	SERIES
	June 2023	Inches	2	2	LEAH EVVN115-39MOK-UM



Tolerance $\pm 5/64$

MATERIAL		FINISH	DIMENSIONS		PIECE
Solid Surface		Solid Surface	$39 \frac{39}{64} \times 20 \frac{9}{32} \times 15/32$		DARO CENTRED BASIN
DESIGN	DATE	UNITS	PAGE	PAGES	SERIES
A.T.G.	June 2023	Inches	1	1	DARO EVVN115-39MOK-UM(BASIN)