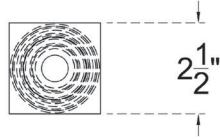


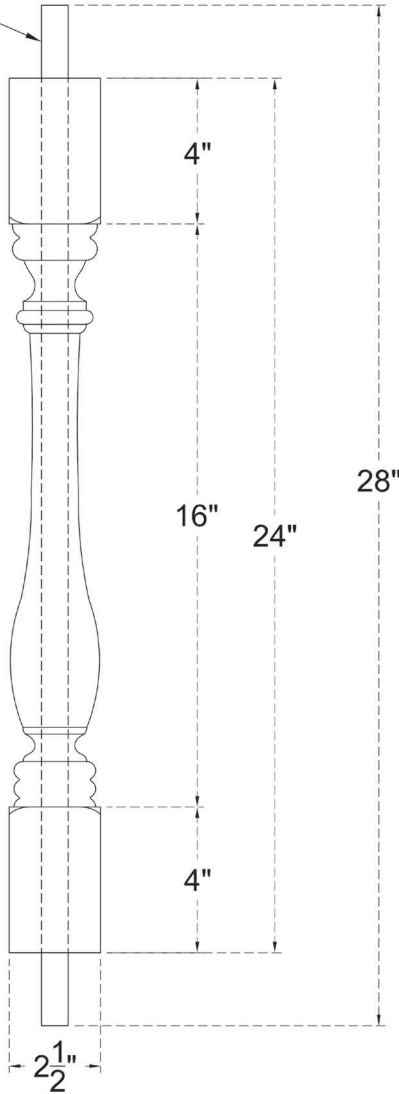
ITEM NUMBER: BAL03X24WF

ENDURATHANE 500 SERIES WINFORD BALUSTER: 2 1/2"W X 24"H
(5 1/8" ON CENTER SPACING FOR 4" SPHERE CODE)

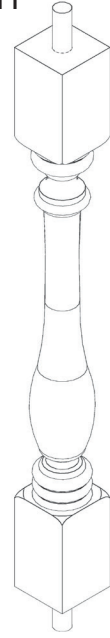
TOP PROFILE



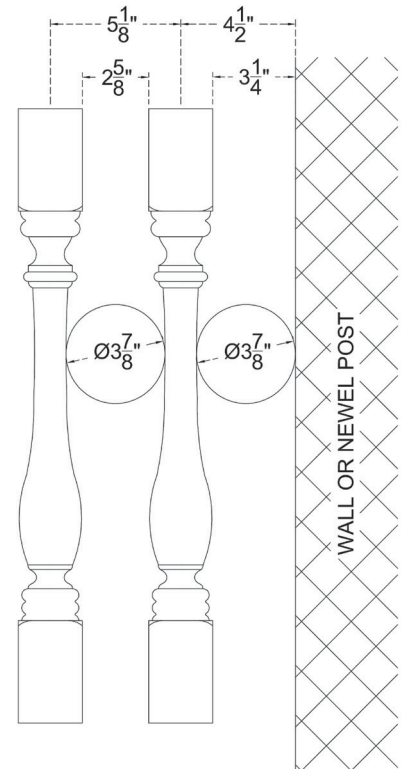
Ø3/4" FIBERGLASS TUBE



FRONT PROFILE



ISOMETRIC



EKENA MILLWORK
2300 WEST MAIN ST.
CLARKSVILLE, TX 75426
TOLL FREE: 866-607-0453
WWW.EKENAMILLWORK.COM

GENERATED DATE : 06/28/2024

NOTES

1. INSTALLATION TO BE COMPLETED IN ACCORDANCE WITH MANUFACTURER'S SPECIFICATIONS.
2. DRAWING MAY NOT BE TO SCALE
3. THIS DRAWING IS INTENDED FOR DESIGN AND PLANNING PURPOSES ONLY.
4. ALL INFORMATION CONTAINED HEREIN WAS CURRENT AT THE TIME OF DEVELOPMENT BUT MUST BE REVIEWED AND APPROVED BY THE PRODUCT MANUFACTURER TO BE CONSIDERED ACCURATE.
5. MANUFACTURED FROM HIGH DENSITY POLYURETHANE WITH FACTORY PRIMED FINISH.