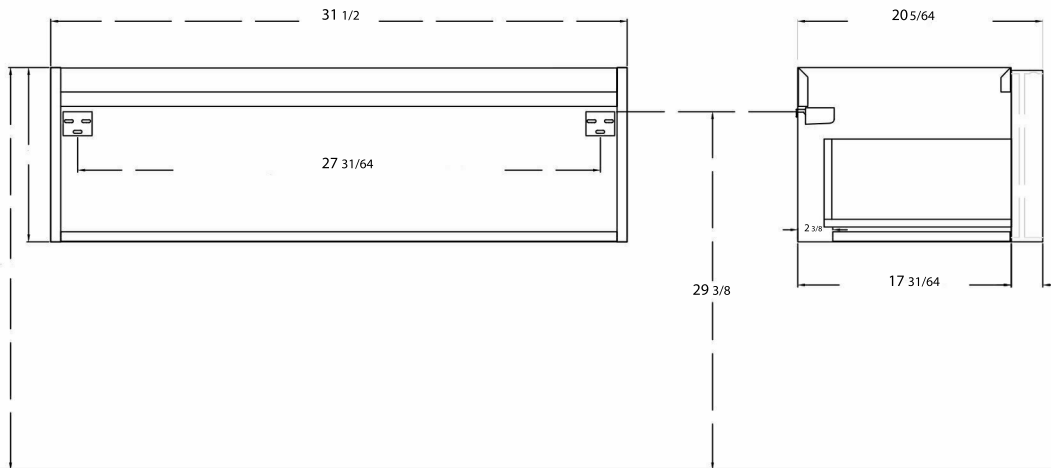


Wall Fixings

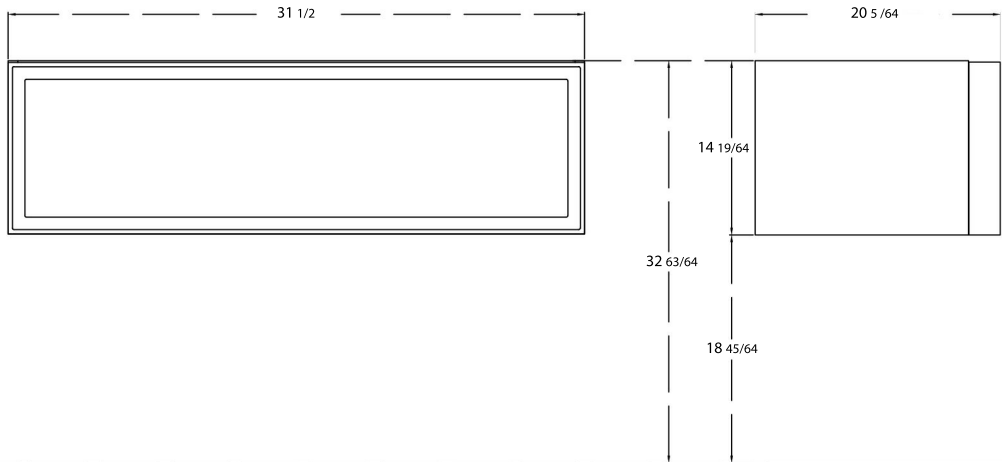


Tolerance $\pm 5/64$

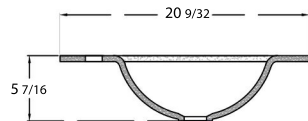
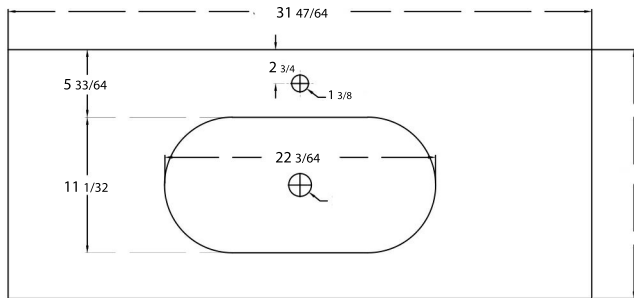
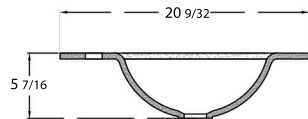
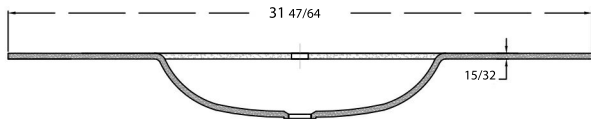
SERIES

ROTEN

This plan is property of MAXANI DESIGN S.L. IT IS PROHIBITED TO REPRODUCE WITHOUT EXPRESS AUTHORIZATION.



Tolerance $\pm \frac{5}{64}$



Tolerance $\pm 5/64$