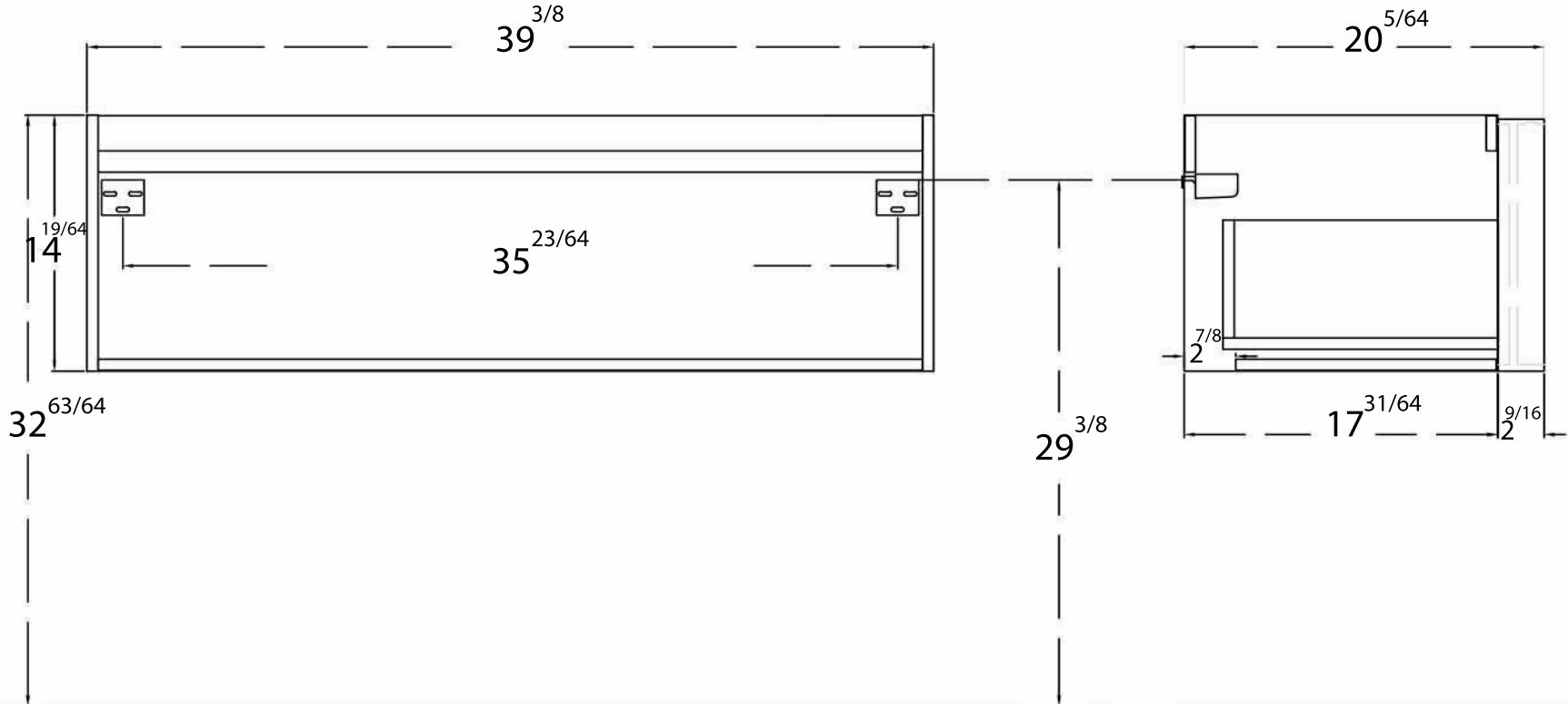
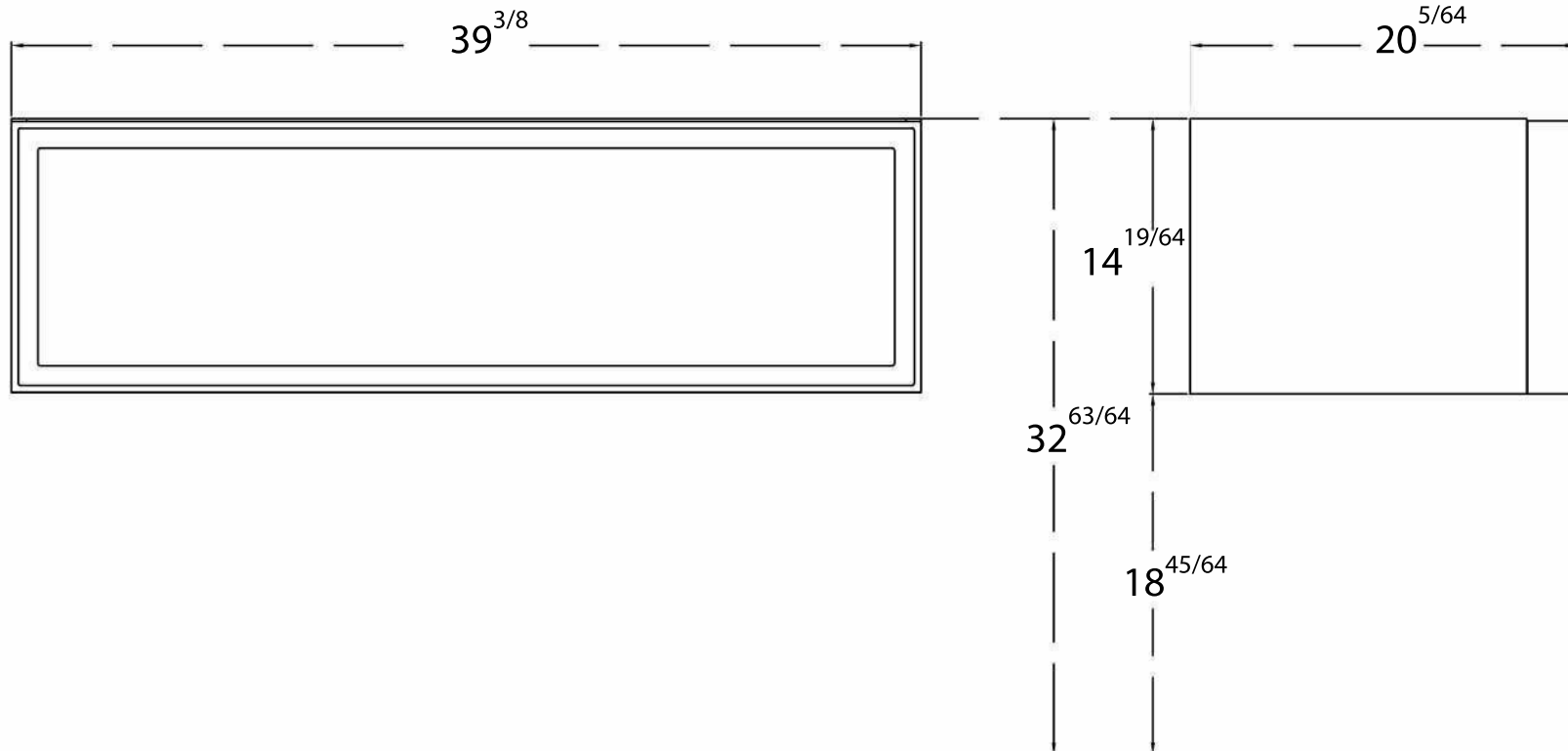


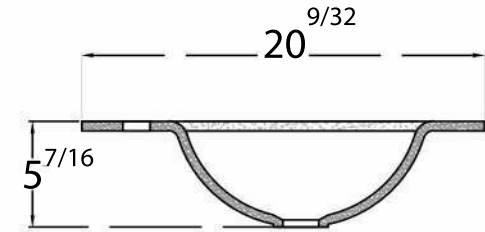
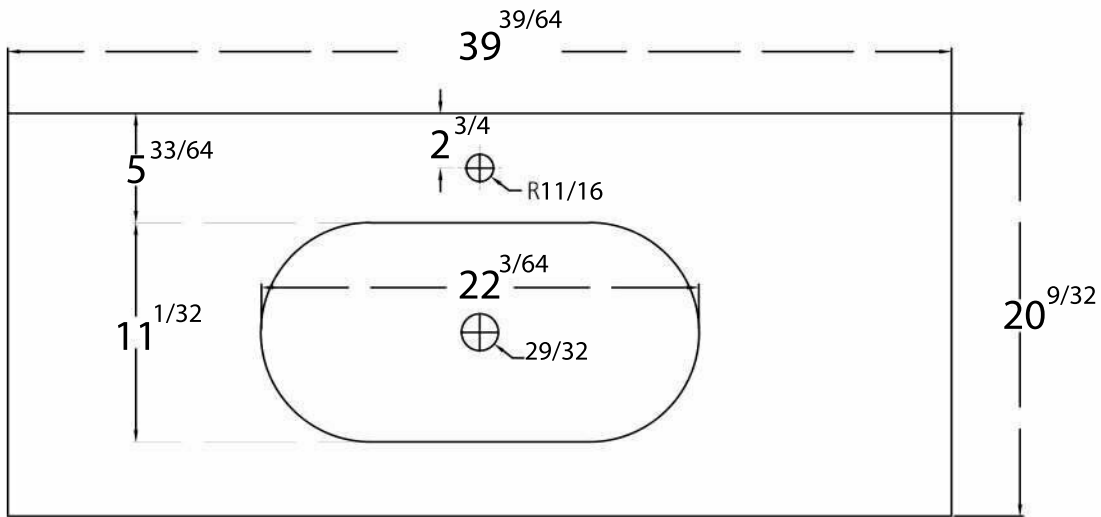
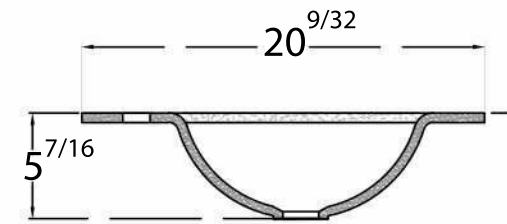
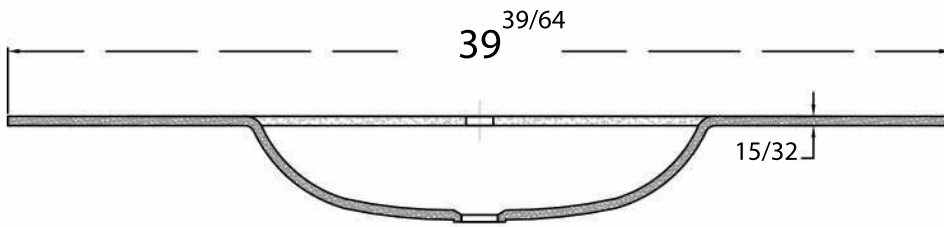
Wall Fixings



MATERIAL		FINISH	DIMENSIONS		PIECE
		Lacquer / Melamine	$39 \frac{3}{8} \times 20 \frac{5}{64} \times 14 \frac{19}{64}$		NETS INSTALLATION
DESIGN	DATE	UNITS	PAGE	PAGES	SERIES
	June 2023	Inches	1	2	NETS



MATERIAL		FINISH	DIMENSIONS		PIECE
		Lacquer / Melamine	$39\frac{3}{8}$ x $20\frac{5}{64}$ x $14\frac{19}{64}$	NETS INSTALLATION	
DESIGN	DATE	UNITS	PAGE	PAGES	SERIES
	June 2023	Inches	2	2	NETS



Tolerance $\pm \frac{5}{64}$

MATERIAL		FINISH	DIMENSIONS		PIECE
Solid Surface		Solid Surface	$39 \frac{39}{64} \times 20 \frac{9}{32} \times 15/32$		FORMA SMALL CENTRED BASIN
DESIGN	DATE	UNITS	PAGE	PAGES	SERIES
	June 2023	Inches	1	1	FORMA