



Medicine Cabinets

We would like to thank you for including a Design House medicine cabinet in your bath remodeling project. This cabinet will give you many years of trouble free service and add a special touch of elegance to your homes decor.

Please read these instructions carefully before you start installation of your new Design House cabinet.

**PREMIUM
QUALITY
CABINETS
BUILT
TO LAST™**

530576-NOK 530584-NOK 531434-WHT 531459-WHT
535849-WHT 535864-WHT 541334-ESP 541342-ESP
541359-ESP 541367-ESP 590505-WHT

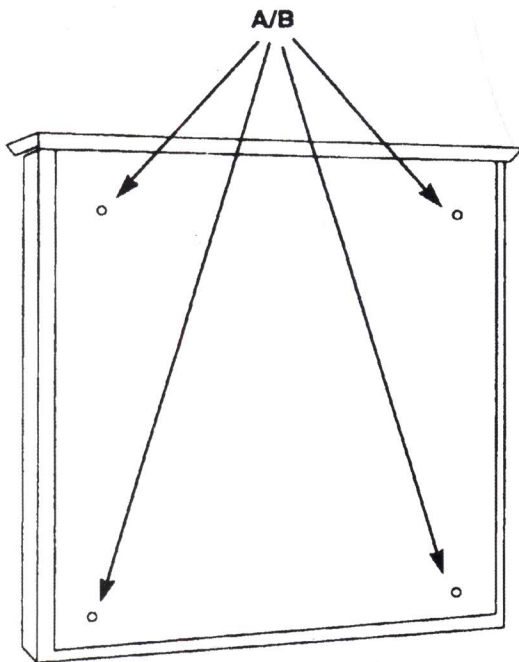
Assembly Instructions



W180 N11691 River Lane • P.O. Box 1001 • Germantown, Wi 53022-8201
262-255-1970 • FAX 262-255-9292

800-558-8700

Made in China



Medicine Cabinet Back View

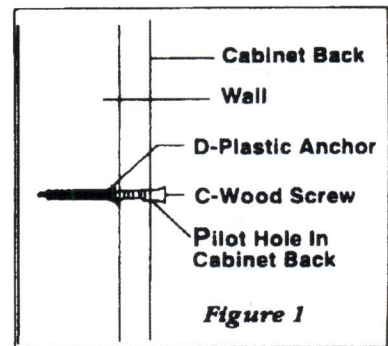


Figure 1

Parts List

A - Predrilled Hole

B - Predrilled Hole

C - Wood Screw

D - Plastic Anchor



Installation Instructions

Mounting: _____

- A. Measure the distance between the centers of the pilot holes located on the back of your cabinet. Mark corresponding spots on the wall at this distance and height you wish to mount your cabinet. Or with the help of an assistant locate the position you wish for your cabinet, then use a level to make sure the cabinet is level. Use a pencil and mark the wall through the pilot holes on the back of the cabinet.
- B. With your mounting spots located and marked, drill a 3/16 inch diameter pilot hole at each spot.
- C. With the pilot holes completed, carefully tap one of the plastic anchors (D) provided with your cabinet into each of the holes.

Figure 1

- D. Proceed to screw one of the 1-1/2 inch wood screw (C) provided with your cabinet through each pilot holes in the cabinet back and into the plastic anchors making sure the screws are flush to the back of the cabinet. Make sure that the cabinet is secured tightly.

Your installation is now complete.