

VEVOR Post Base: Elevating Safety and Style in Every Step!



Made of robust carbon steel material, this product is durable, rust-resistant, and wear-resistant, providing stable support. With a wide range of accessories, it can be easily installed on various types of surfaces.

DURABLE MATERIAL FOR LONG-LASTING USE



Carbon Steel Material
Wall Thickness Of 0.06"/1.6mm For Robust Durability



Surface Spray Coating
Rust Prevention And Wear Resistance

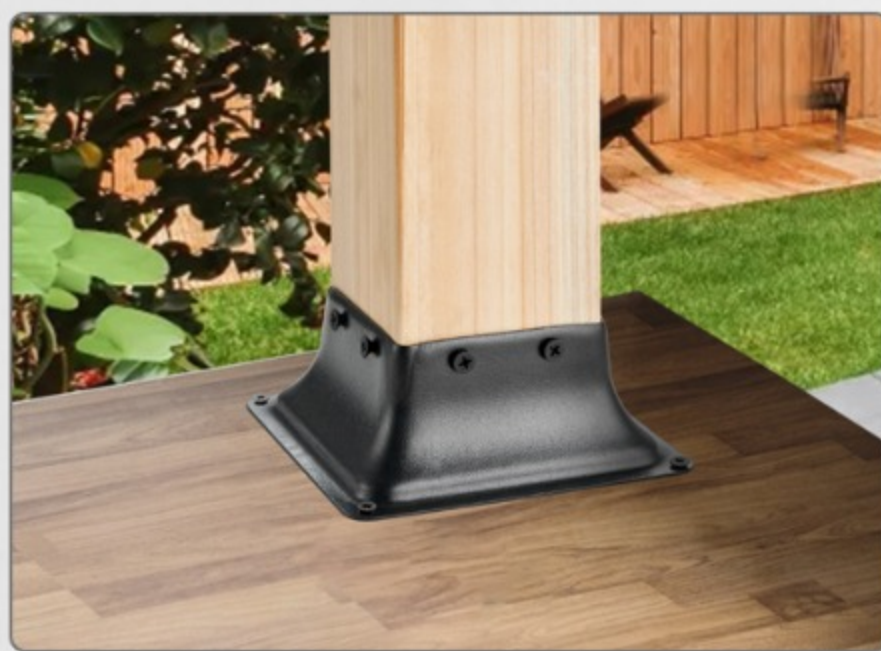
The connector base is designed with a fully enclosed structure, ensuring stable support for the railing without any wobbling, thus providing safety protection for the usage area.



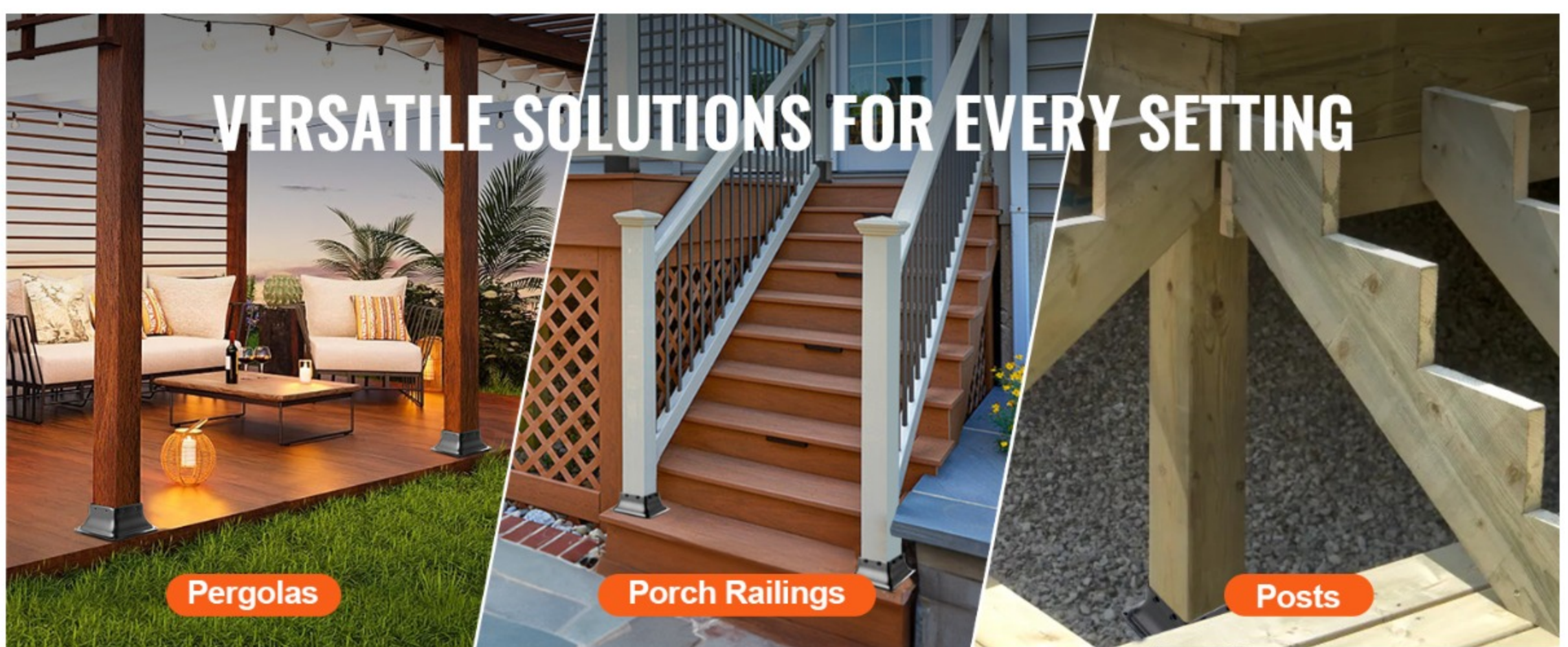
The base is crafted from Made from sturdy carbon steel material with a surface spray coating, it is wear-resistant, rust-resistant, and has a long lifespan.

COMPLETE ACCESSORY SET FOR VERSATILE INSTALLATION

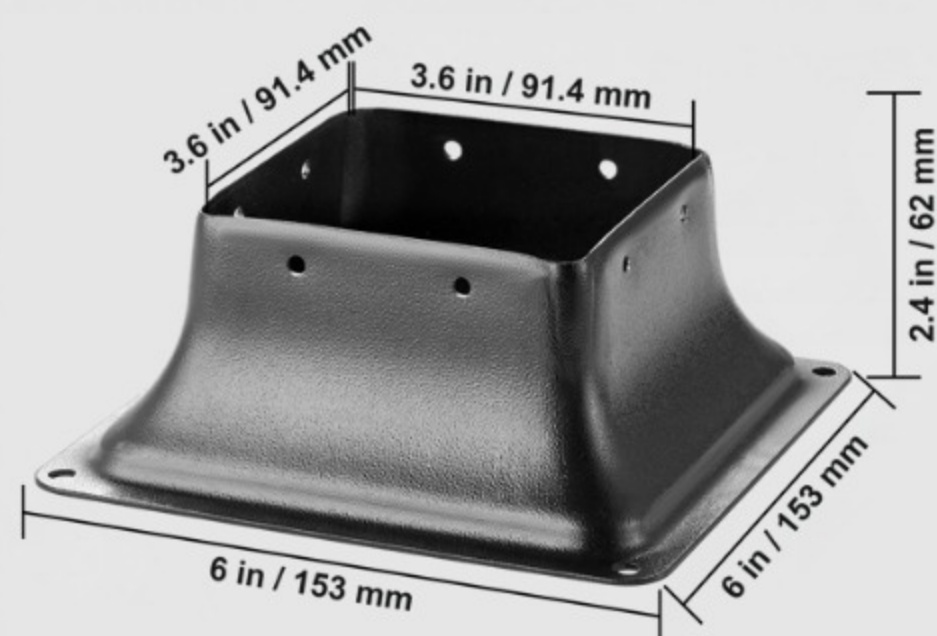
- Yellowfish Expansion Sleeves x 90
- Black Self-Tapping Screws x 260



Installations are made easy by using a drill for hole preparation, and the post anchor base comes with pre-made screw holes, allowing for simple assembly.



With a wide range of accessories, the post footing base can be installed and used on both cement and wooden floors.



| | |
|---|---------------------------------|
| Model: TTLZ-4in-20 | Quantity: 20pcs |
| Main Material: Carbon Steel | Net Weight: 18.1lbs/8.2kg |
| Internal Dimensions: 3.6"x3.6" | Product Dimensions (per piece): |
| Suitable Wood Post Sizes: 4"x4" | 6x6x2.4in / 153x153x62mm |
| Recommended Wood Post Dimensions: 3.5"x3.5" | |