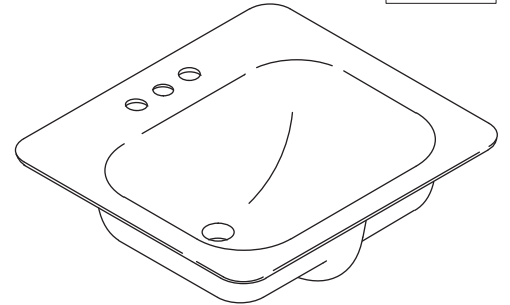


Features

- KOHLER cast iron
- Metal frame mounting
- With overflow
- 4" (102 mm) centers
- 20" (508 mm) x 18" (457 mm)

COUNTERTOP BATHROOM SINK K-2890-4

ADA



Codes/Standards Applicable

Specified model meets or exceeds the following:

- ADA
- ICC/ANSI A117.1
- ASME A112.19.1/CSA B45.2

Colors/Finishes

- 0: White
- Other: Refer to Price Book for additional colors/finishes

Accessories

- CP: Polished Chrome
- NA: None applicable

Specified Model

Model	Description	Colors/Finishes	
K-2890-4	Countertop bathroom sink with 4" (102 mm) centers	<input type="checkbox"/> 0	<input type="checkbox"/> Other _____
Required Accessories			
K-6688	Metal frame	<input type="checkbox"/> NA	
Recommended Accessories			
K-8998	P-Trap	<input type="checkbox"/> CP	

Product Specification

The countertop bathroom sink shall be made of cast iron. Bathroom sink shall be used for mounting with metal frame (K-6688). Bathroom sink shall have 4" (102 mm) centers. Bathroom sink shall have overflow. Bathroom sink shall be 20" (508 mm) in length, and 18" (457 mm) in width. Bathroom sink shall be Kohler Model K-2890-4-_____-_____.

TAHOE™

Technical Information

Fixture*:	
Basin area	16" (406 mm) x 12" (305 mm)
Water depth	5" (127 mm)
Drain hole	Ø 1-11/16" (43 mm)
Spout hole	Ø 1-3/8" (35 mm)
Faucet holes	Ø 1-3/8" (35 mm)
* Approximate measurements for comparison only.	

Included components:

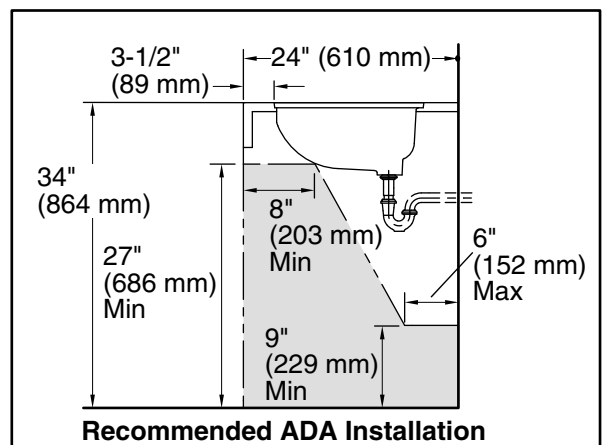
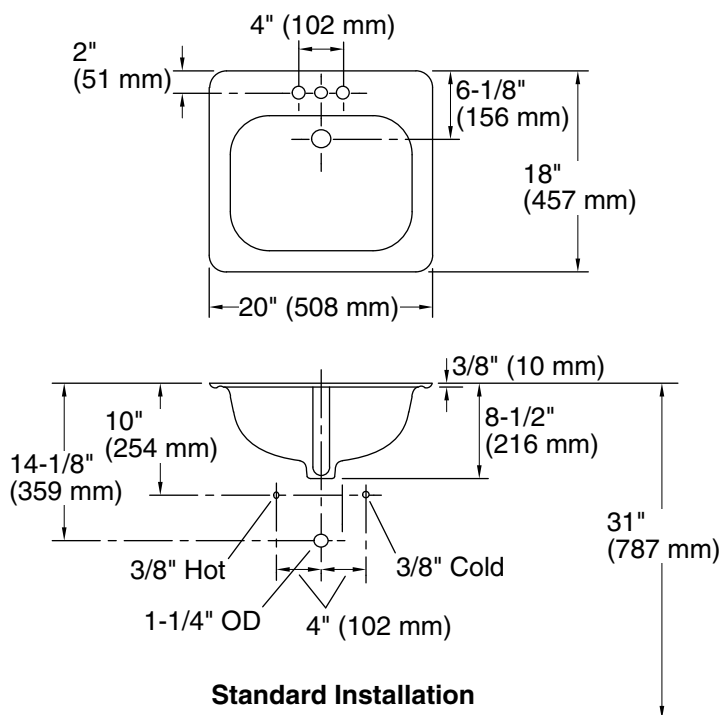
Overflow ferrule	84896
------------------	-------

Installation Notes

Install this product according to the installation guide.

A metal frame is required for installation.

Will comply with **ADA** when installed per section 606 Lavatories of the ADA 2010 Standards for Accessible Design.



Product Diagram