



Iron Plains®

Above-counter Bathroom Sink
K-20213-W

Features

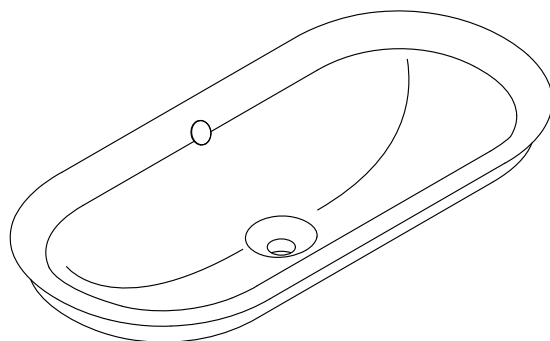
- Obround/capsule shaped basin
- With overflow
- No faucet holes; requires wall- or counter-mount faucet

Material

- KOHLER® enameled cast iron.

Installation

- Vessel, drop-in, or under-mount



ADA CSA B651

Codes/Standards

ASME A112.19.1/CSA B45.2
ADA
ICC/ANSI A117.1
CSA B651



Lifetime Limited Warranty for KOHLER® Cast Iron Components

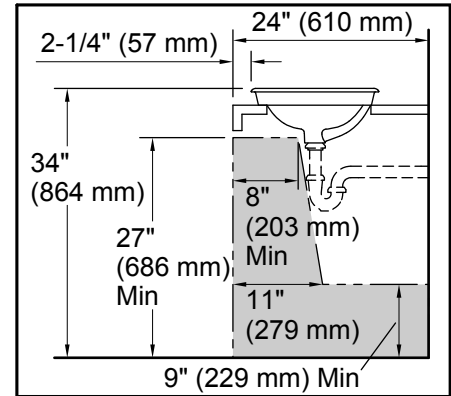
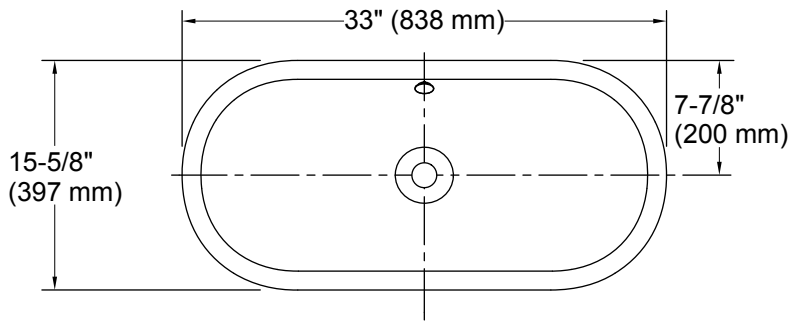
See website for detailed warranty information.

Available Color/Finishes

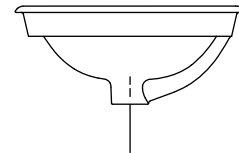
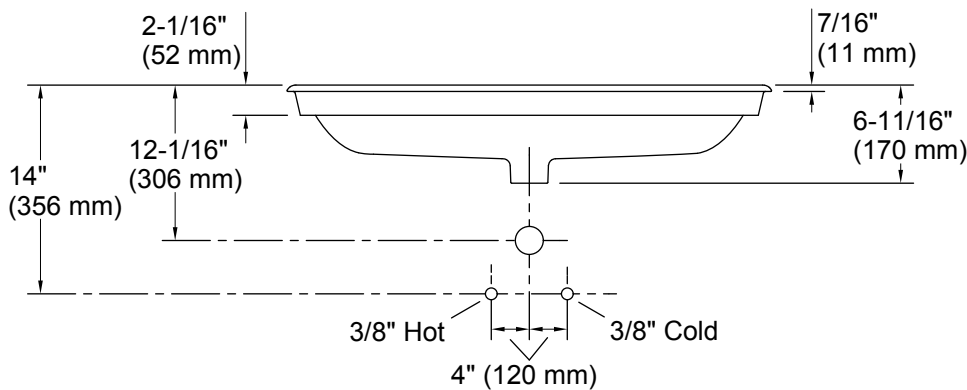
Color tiles intended for reference only.

Color	Code	Description
-------	------	-------------

	0	White
	FF	Sea Salt™



Recommended ADA Installation



Technical Information

All product dimensions are nominal.

Installation: Drop-In, Under-mount, Vessel
 Drain hole: 1-3/4" (44 mm)
 Template: 1319049-7, required, included

Notes

Install this product according to the installation instructions.

NOTICE: Countertop manufacturer or cutter must use the cut-out template provided with the product, or a current one provided by Kohler Co. (call 1-800-4-KOHLER). Kohler Co. is not responsible for cutout errors when the incorrect cut-out template is used.

ADA, CSA B651 compliant when installed to the specific requirements of these regulations.