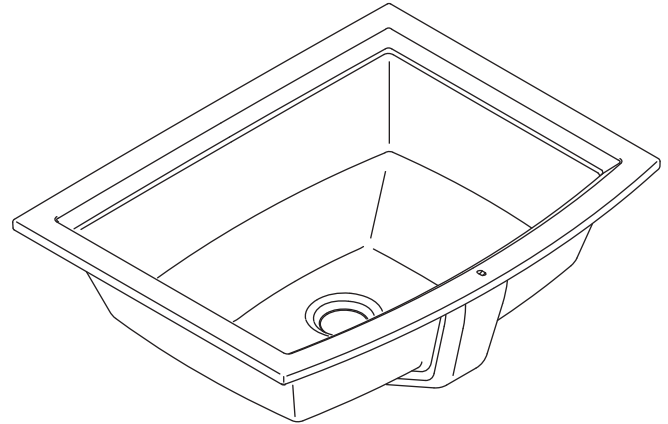


### Features

- Vitreous china
- Under-mount
- With overflow
- Without faucet hole(s)
- Includes 1193643 clamp assembly
- 17-5/8" (448 mm) x 13" (330 mm) x 7-1/2" (191 mm)

### UNDER-MOUNT BATHROOM SINK K-2355

ADA



### Codes/Standards Applicable

Specified model meets or exceeds the following:

- ADA
- ASME A112.19.2/CSA B45.1
- ICC/ANSI A117.1

### Colors/Finishes

- 0: White
- Other: Refer to Price Book for additional colors/finishes

### Accessories:

- CP: Polished Chrome
- Other: Refer to Price Book for additional colors/finishes

### Specified Model

Model	Description	Colors/Finishes	
K-2355	Under-mount bathroom sink	<input type="checkbox"/> 0	<input type="checkbox"/> Other_____
Recommended Accessory			
K-8998	Adjustable P-Trap	<input type="checkbox"/> CP	<input type="checkbox"/> Other_____

### Product Specification

The under-mount bathroom sink shall be made of vitreous china. Bathroom sink shall be 17-5/8" (448 mm) in length, 13" (330 mm) in width, and 7-1/2" (191 mm) in depth. Bathroom sink shall be with overflow and without faucet hole(s). Bathroom sink shall include 1193643 clamp assembly. Bathroom sink shall be Kohler Model K-2355-\_\_\_\_\_.

# ARCHER™

## Technical Information

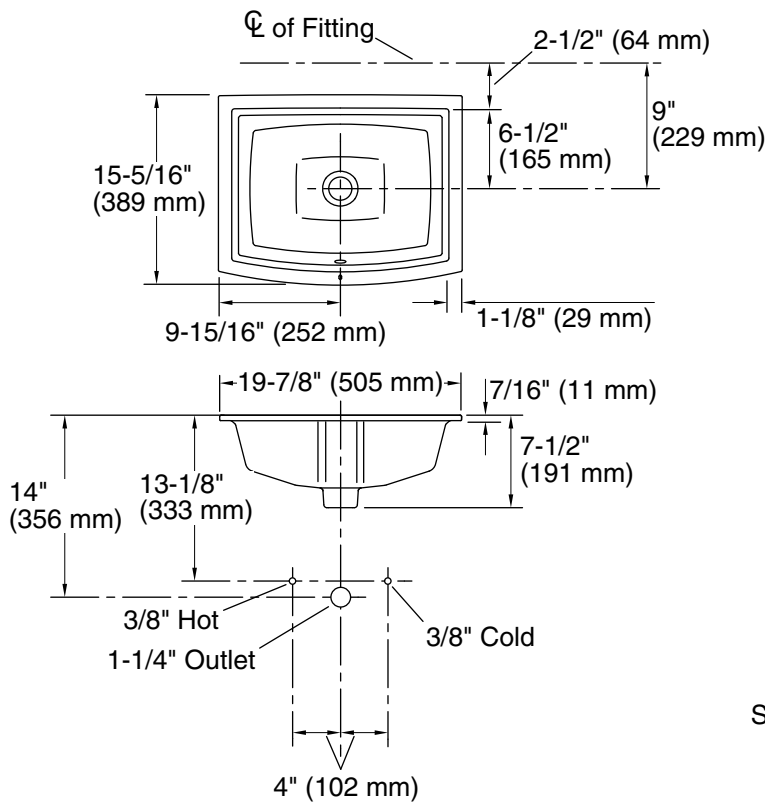
Fixture*:	
Basin area	17-5/8" (448 mm) x 13" (330 mm)
Water depth	3-3/4" (95 mm)
Drain hole	Ø 1-3/4" (44 mm)
* Approximate measurements for comparison only.	
Cutout template	1051937-7
Included components:	
Basin clamp assembly	1193643

## Installation Notes

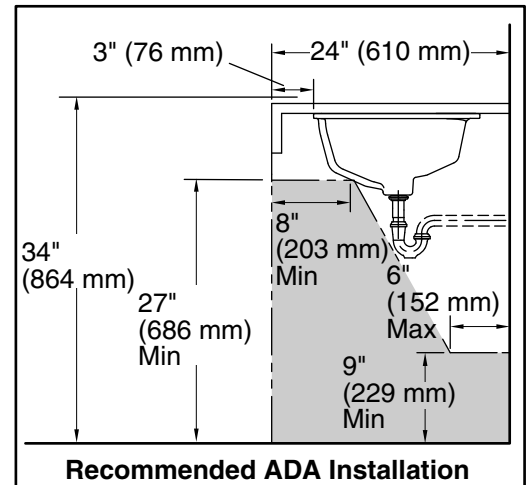
Install this product according to the installation guide.

**NOTICE:** Countertop manufacturer or cutter must use the current product template available at [www.kohler.com](http://www.kohler.com), or by calling 1-800-4KOHLER. Kohler Co. is not responsible for cutout errors when the incorrect cutout template is used.

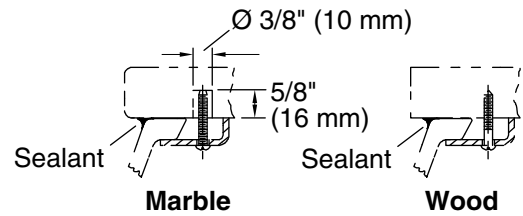
Will comply with **ADA** when installed per section 606 Lavatories and Sinks of the 2010 ADA Standards for Accessible Design.



Standard Installation



Recommended ADA Installation



Installation

## Product Diagram