

Features

- Designed to work with any standard showerhead.
- Reduces chlorine and odor, controls scale, and inhibits the growth of bacteria and algae.
- Attaches to most exposed shower arms with a simple threaded connection.
- Filter media lasts up to 8,000 gallons (30,000 liters) or 6 months.
- Recommended filter cartridge replacement every 6 months.
- Box includes: Filtration system, one filter cartridge.

Material

- Premium material construction for durability and reliability.
- KOHLER finishes resist corrosion and tarnishing.

Installation

- Required for installation: Sealant tape and adjustable wrench.

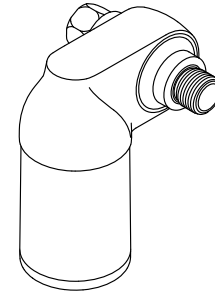
Included Components

Product consists of:

K-30647 shower filter replacement

Additional Components:

One filter cartridge



Codes/Standards

None Applicable

KOHLER® Water Filter Systems Five-Year Limited Warranty

See website for detailed warranty information.

Available Colors/Finishes

Color tiles intended for reference only.

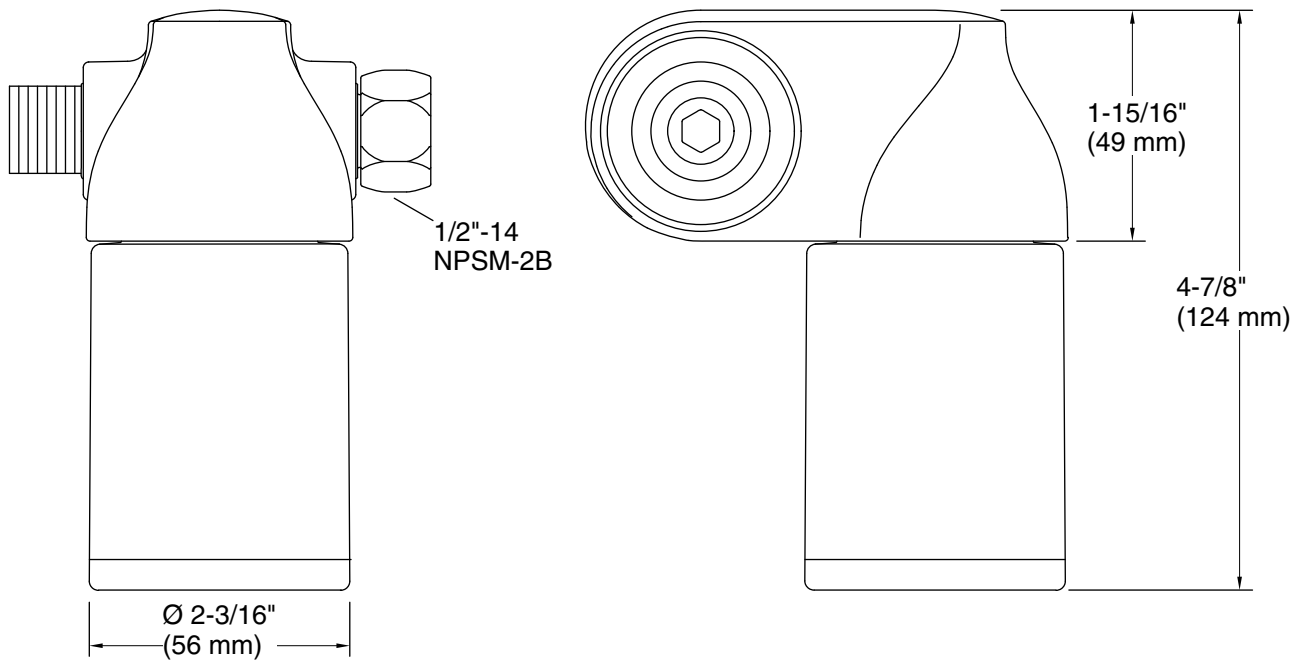
Color	Code	Description
-------	------	-------------



CP	Polished Chrome
----	-----------------



BN	Vibrant® Brushed Nickel
----	-------------------------



Technical Information

All product dimensions are nominal.

Drain included: No

Notes

Install this product according to the installation instructions.

Replace filter cartridge every 6 months.