

### Features

- Vitreous china.
- Elongated bowl.
- Comfort Height®.
- 1-1/2" top spud.
- Less seat and supply.
- 4" (102 mm) rough-in.
- 2-1/8" (54 mm) glazed trapway.
- 1.28 gpf (4.8 lpf) or 1.6 gpf (6 lpf) depending on flushometer specified.
- Floor-mount rear outlet flushometer bowl.
- 31-1/2" (800 mm) x 14-7/8" (378 mm) x 17" (432 mm).

### Recommended Accessories

K-4731-C Commercial Heavy-duty Toilet Seat  
K-4731-SC Commercial Heavy-duty Toilet Seat  
K-4654-A Commercial Toilet Seat  
K-4670-CA Commercial Toilet Seat  
K-10673 Exposed Urinal Flushometer  
K-10956 Tripoint™ DC 1.28 GPF WC Flushometer  
K-13517 Manual 1.28 GPF WC Flushometer

### Components

Additional included component/s: Spud, Floor screws and bolt caps, and Bolt cap accessory pack.



ADA CSA B651

### Codes/Standards





ASME A112.19.2/CSA B45.1  
DOE - Energy Policy Act 1992  
ADA  
ICC/ANSI A117.1  
CSA B651

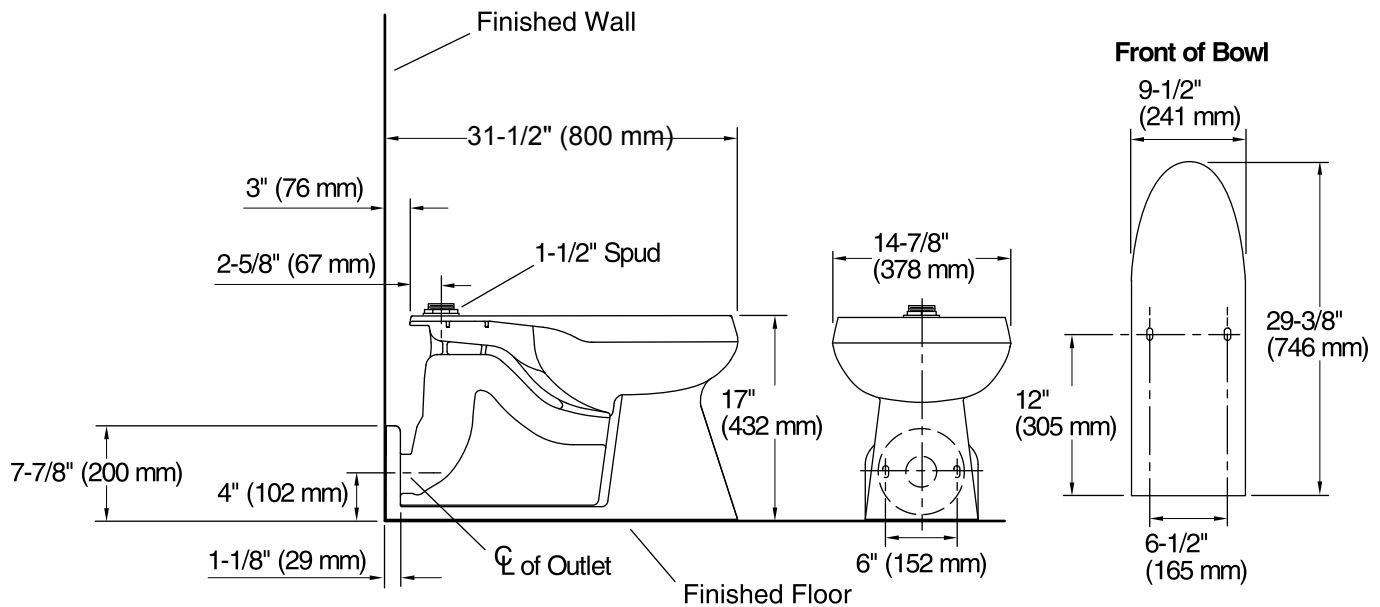
### KOHLER® One-Year Limited Warranty

See website for detailed warranty information.

### Available Color/Finishes

*Color tiles intended for reference only.*

Color	Code	Description
	0	White
	96	Biscuit
	47	Almond
	7	Black Black™



### Technical Information

All product dimensions are nominal.

Bowl shape:	Elongated front
Flush type:	Siphon jet
Spud size:	1-1/2", Inlet, Top
Trap passageway:	2-1/8" (54 mm)
Water surface size:	12" x 10" (305 mm x 254 mm)
Rim to water surface:	5-7/8" (149 mm)
Rough-in:	4" (102 mm)
Seat-mounting holes:	5-1/2" (140 mm)

### Notes

Install this product according to the installation guide.

For back-to-back installations: Connect the toilet to the vertical stack using a: double fixture fitting, double combination wye and 1/8 bends, or double wye and 1/8 bends.

ADA, CSA B651 compliant when installed to the specific requirements of these regulations.

The Model Plumbing Codes require the installation of elongated open-front toilet seats on public bathrooms.