

SIZE DETAILS

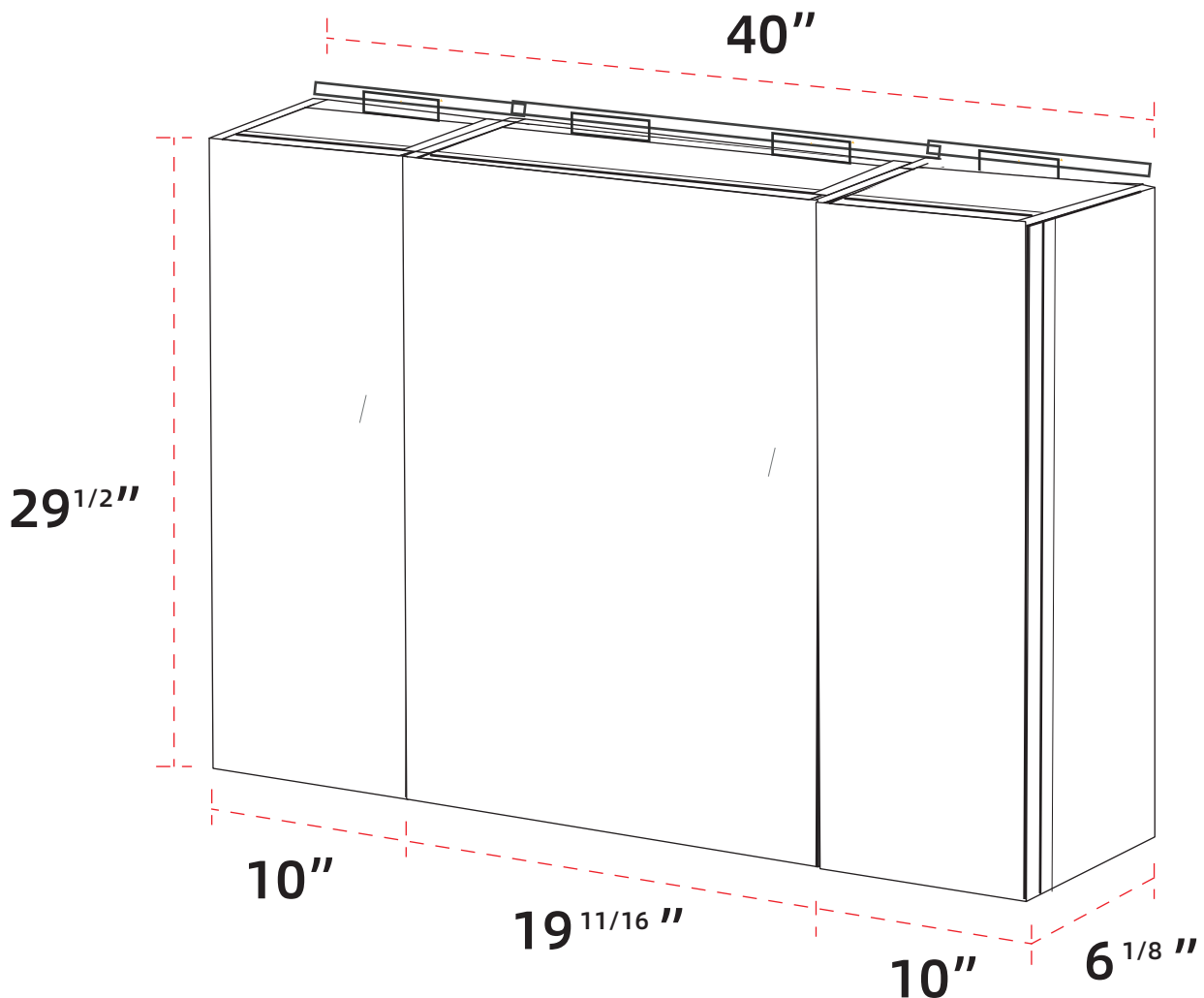
HIGH QUALITY MEDICINE CABINET

✉ support@trendytotesinc.com

☎ 213 675 2021



PRODUCT
INSTRUCTION
VIDEO



KINDLY ATTENTION: To ensure a perfect installation, please measure the actual medicine cabinet size for the cutout and mark the area accordingly. Do not install the medicine cabinet until you have received it. Because the medicine cabinet dimensions may vary by up to 1/4 inch during manufacturing.