



3.6 x 3.6" Post Base

The post base is rust-proof, wear-resistant, and rock-solid with black powder paint, providing the standard inner diameter of 3.6 x 3.6 inches. The product fits deck brackets, porch railings, post holders, table leg, etc. It includes a wrench, 42 sets of 3/8 expansion bolts, and 82 sets of self-tapping screws. Your wood post will be long-lasting if you install this post anchor on it.

- Sturdy & Solid
- Use for 4 x 4" Post
- Easy to Assemble
- Complete Accessories

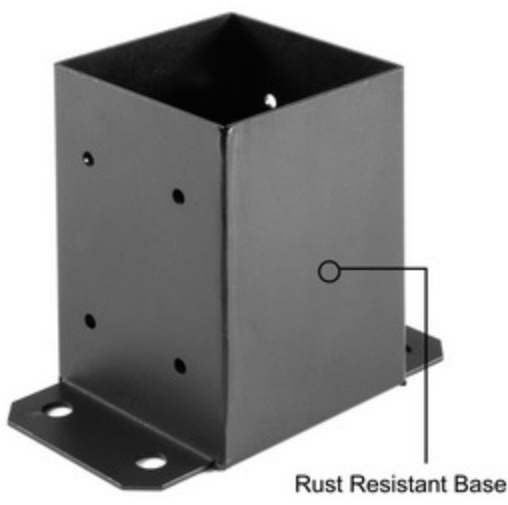
VEVOR®

Tough Equipment & Tools, Pay Less

VEVOR is a leading brand that specializes in equipment and tools. Along with thousands of motivated employees, VEVOR is dedicated to providing our customers with tough equipment & tools at incredibly low prices. Today, VEVOR has occupied markets of more than 200 countries with 10 million plus global members.

Why Choose VEVOR?

- Premium Tough Quality
- Incredibly Low Prices
- Fast & Secure Delivery
- 30-Day Free Returns
- 24/7 Attentive Service

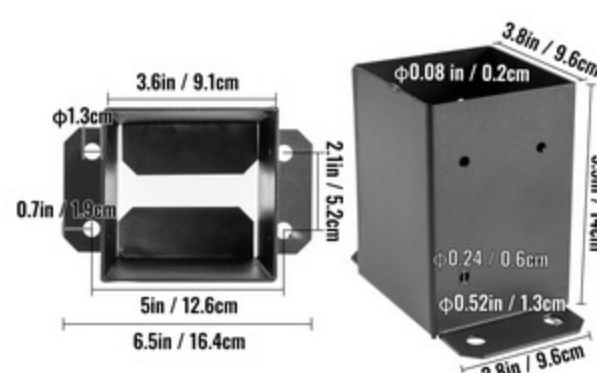


Rust Resistant Base

STRONG & SOLID

Strong & Solid

The post base adopts powder-coated steel with a good performance in hardness and durability. It is also not easy to rust and fade in bad weather. The long service life is allowed.



FITS 4 X 4" POST

Fits 4 x 4" Post

The durable product provides an inner diameter of 3.6 x 3.6 inches. Its standard dimension allows you to install post 4 x 4 inches. It is perfect for fixing your fence posts economically.

Multiple Hole Site



ENHANCED DURABILITY

Enhanced Durability

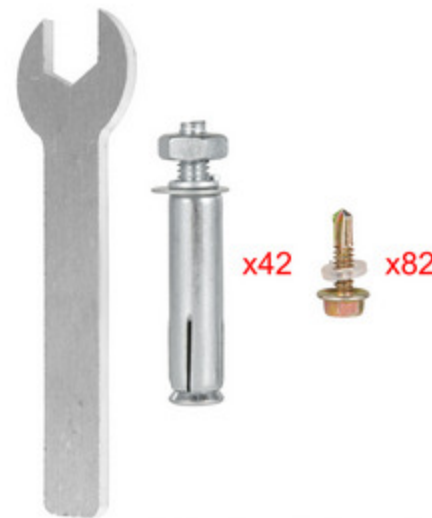
There are four mounting holes on the bottom of the post anchor. Eight self-tapping screws need to be installed on the side of the post base. It can prevent from shaking randomly.



EASY ASSEMBLY

Easy Assembly

It is convenient to operate according to the detailed instruction. You just need to use the included wrench to tighten the screws. Then, the complete process of installation will be finished.



COMPREHENSIVE SET

Comprehensive Set

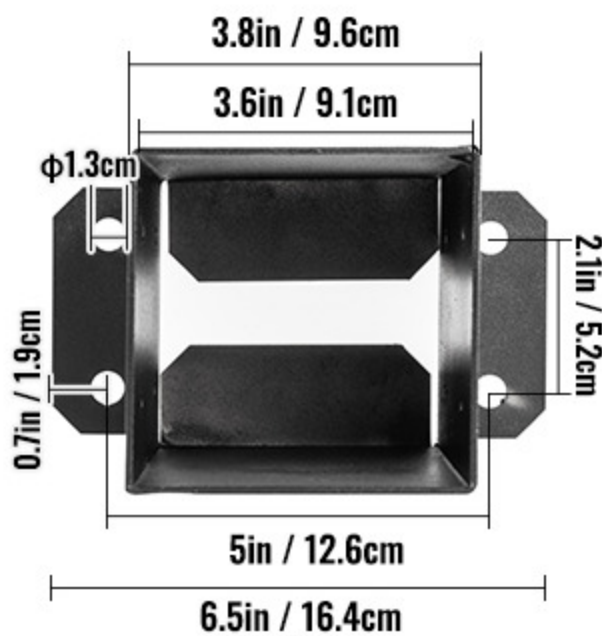
The requisite accessories are equipped, including a wrench, 42 sets of 3/8 expansion bolts, and 82 sets of self-tapping screws. You will be effortless to prepare the accessories.



UNIVERSAL COMPATIBILITY

Universal Compatibility

The post bracket is waterproof and sun-resistant with optimum material. It is very suitable for deck brackets, porch railings, stair handrails, mailbox posts, etc.



Specifications

- Color: Black
- Material: Powder Coated Steel
- Quantity: 10 PCs
- Product Size(L x W x H): 6.5 x 3.8 x 5.5" / 16.4 x 9.6 x 14 cm
- Inner Diameter: 3.6 x 3.6" / 9.1 x 9.1 cm
- Item Weight: 2.5 lbs / 1.1 kg



Package Content

- 10 x Post Bases
- 42 x 3/8 Expansion Bolts
- 82 x Self-tapping Screws
- 1 x Wrench
- 1 x User Manual