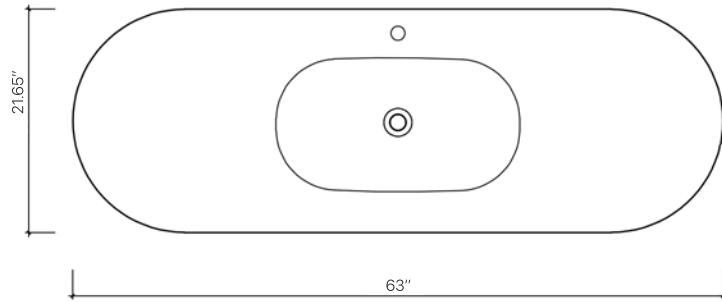
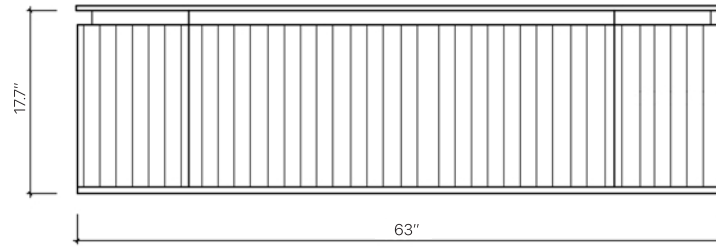


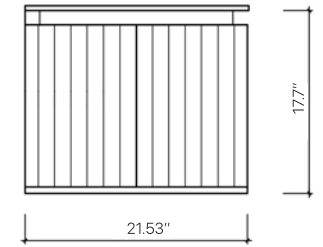
Product Specifications



Top View



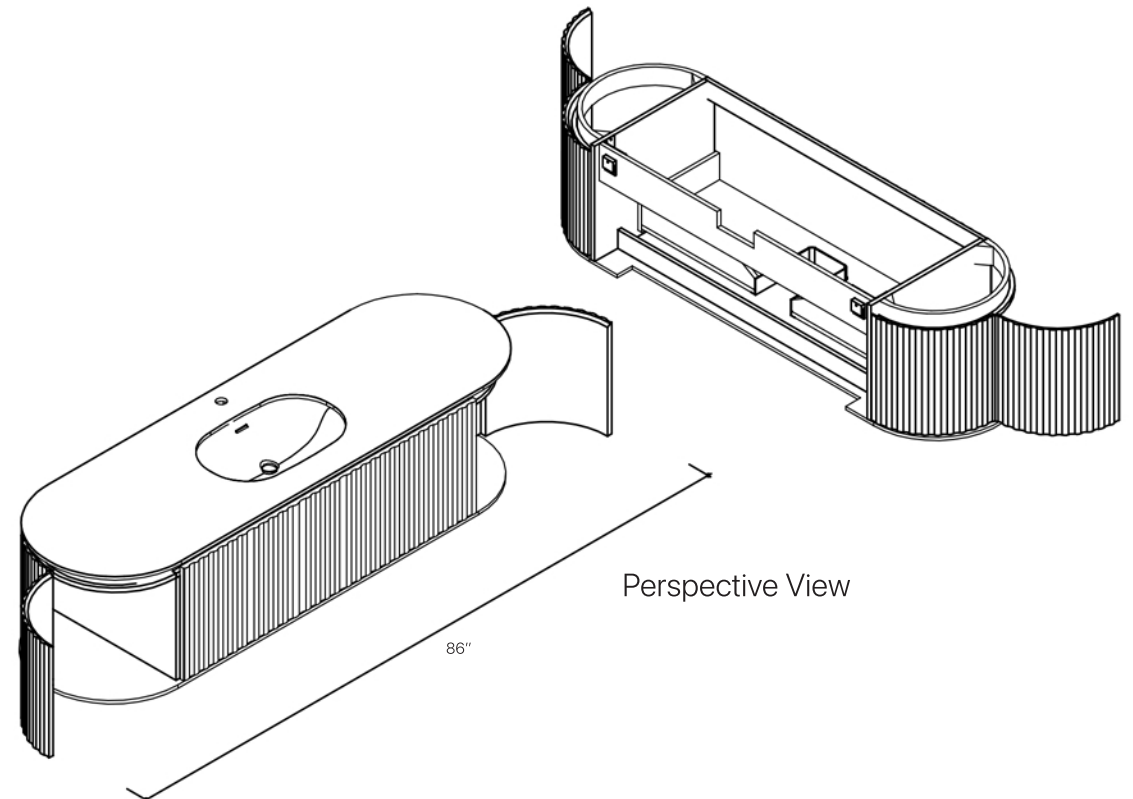
Front View



Side View

✱ Eviva

SKU:	EVVN202-64-WM
Notes:	



All dimensions and specifications are approximate and subject to change without notice.

orders@eviva.us +1 (800) 406-7205