

Features

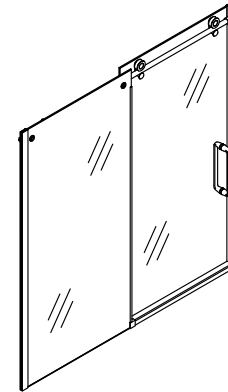
- Premium, exposed stainless steel roller design allows for effortless opening and closing of the moving panel.
- Controlled Close™ innovative soft-close with double-dampening technology eliminates slamming and brings door to a secure close.
- Frameless design emphasizes glass and creates a sleek, minimalist look.
- Back-to-back 11-7/8" (301 mm) vertical shower door pulls.
- KOHLER CleanCoat®+ glass coating creates a hydrophobic barrier that repels water, soap scum, and residue, saving time and protecting shower doors 10 times longer than original CleanCoat. (Based on 2021 internal wear/abrasion testing using a microfiber cloth.)
- Coordinates with other products in the Cursiva collection.

Material

- Frameless, 5/16" (8mm) thick Crystal Clear tempered glass.
- Anodized aluminum prevents rust and corrosion.

Installation

- 62" (1575 mm) high, with 58-7/8" (1495 mm) minimum head clearance above bath rim.
- Fits opening widths 56-1/8"–59-7/8" (1426 mm–1521 mm).
- Requires 2-3/4" (669 mm) minimum threshold depth.
- 3/8" (10-mm) out-of-plumb adjustability on each side simplifies installation.
- Door can be installed to open to the left or right to suit your bathroom layout.
- Not for use with cast iron baths.
- For residential use only.
- Not for use in hospitality.



Codes/Standards

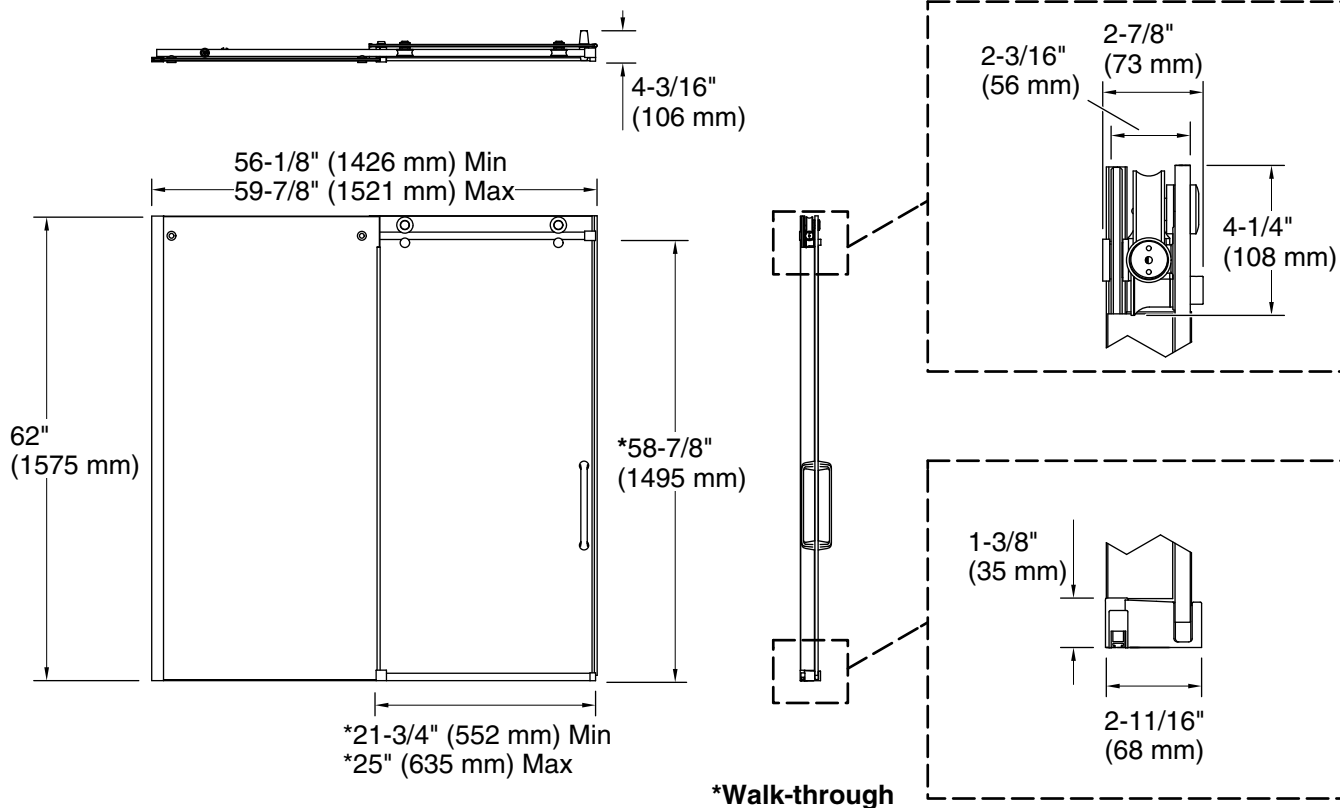
ANSI Z97.1
CPSC 16CFR 1201

KOHLER® One-Year Limited Warranty

See website for detailed warranty information.

Available Glass Options

Code	Description
L	Crystal Clear



*Walk-through

Technical Information

All product dimensions are nominal.

Installation type:	For bath installation
Opening Width - Min:	56-1/8" (1426 mm)
Opening Width - Max:	59-7/8" (1521 mm)
Walk-through - Min:	21-3/4" (552 mm)
Walk-through - Max:	25" (635 mm)
Base-To-Wall Radius - Max:	3/8" (10 mm)
Glass thickness:	5/16" (8 mm)
Glass coating:	CleanCoat+

Notes

Install this product according to the installation instructions.

The vertical opening should be a minimum of 64" (1626 mm) to allow for installation clearance.