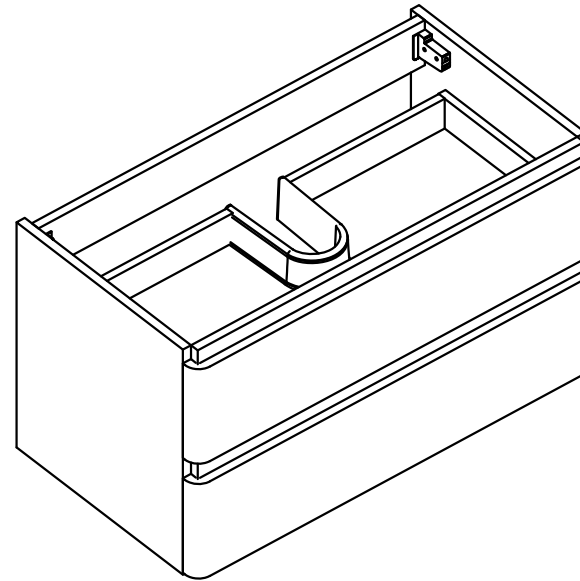
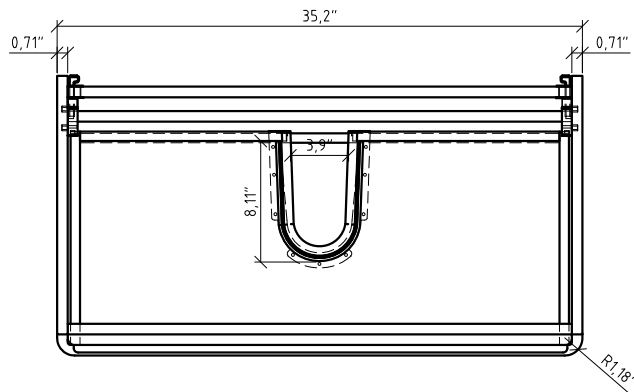
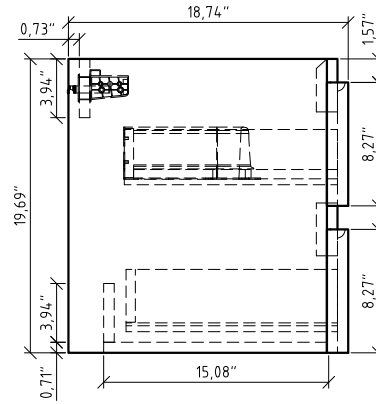
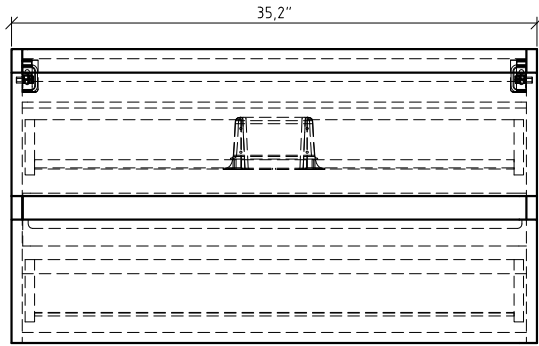




1A090059. MD



Designer: XJ  
2017.08.14