

Features

- 36" minimum base cabinet width
- Double-equal bowls
- 9" (229 mm) depth provides generous workspace
- Slim divider offers a sophisticated look and maximizes bowl space
- Includes installation hardware, bottom sink rack, and bamboo cutting board

Material

- Handcrafted from 16-gauge stainless steel
- Premium 16-gauge stainless steel

Installation

- Undermount

Recommended Products/Accessories

- K-3142 Sink Rack
- K-8801 Sink drain and strainer with tailpiece
- K-8799 Sink drain and strainer basket
- K-23726 Drain treatment
- K-23729 Stainless steel cleaner

Optional Products/Accessories

- K-11352 Disposal Flange with Stopper

Included Components

- K-3140 Cutting Board
- K-3142 Sink Rack
- 91915 Hardware Kit

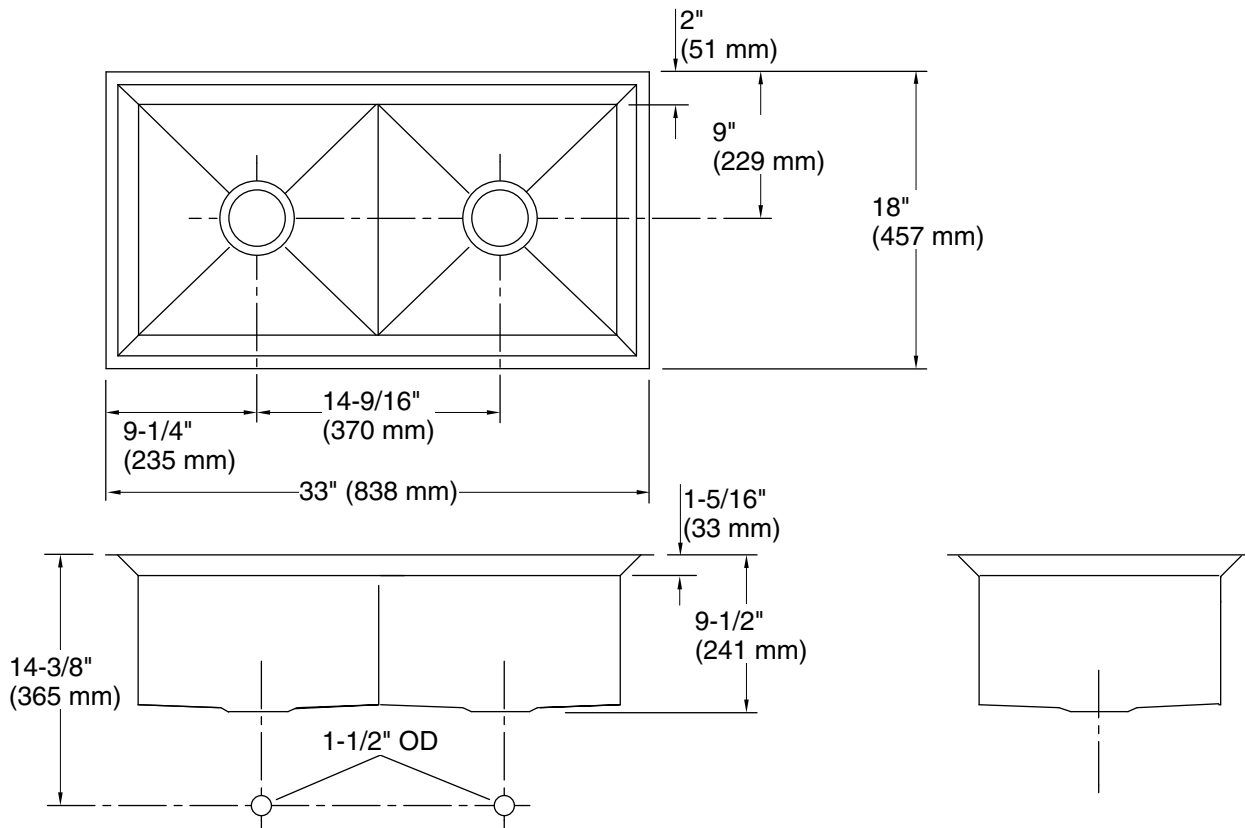


Codes/Standards

ASME A112.19.3/CSA B45.4
IAPMO Certification

KOHLER® Stainless Steel Sinks Lifetime Limited Warranty

See website for detailed warranty information.



Technical Information

All product dimensions are nominal.

Bowl configuration: Double equal
Min. base cabinet width: 36" (914 mm)

Bowl area (Left): Length: 14-7/16" (367 mm)
Width: 14" (356 mm)
Bowl depth: 9-3/16" (233 mm)

Bowl area (Right): Length: 14-7/16" (367 mm)
Width: 14" (356 mm)
Bowl depth: 9-3/16" (233 mm)

Drain hole: 3-5/8" (92 mm)

Template: 1021992-7, required, included

Notes

Install this product according to the installation instructions.