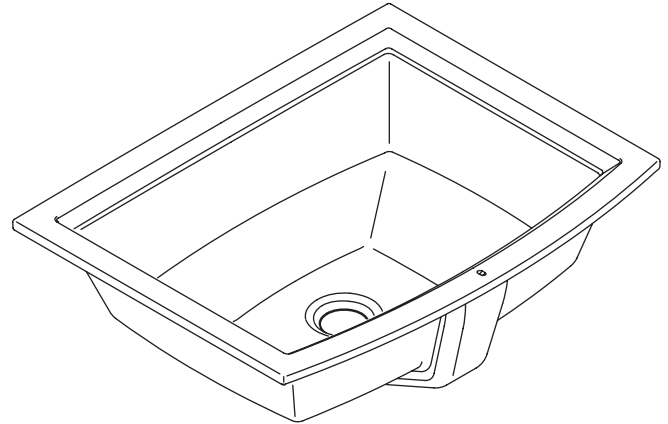


Features

- Vitreous china
- Undercounter
- With overflow
- Without faucet hole(s)
- Includes 52047 clamp assembly
- 17-5/8" (44.8 cm) x 13" (33 cm) x 7-1/2" (19.1 cm)

UNDERCOUNTER LAVATORY K-2355

ADA



Codes/Standards Applicable

Specified model meets or exceeds the following:

- ADA
- ASME A112.19.2/CSA B45.1
- ICC/ANSI A117.1

Colors/Finishes

- 0: White
- Other: Refer to Price Book for additional colors/finishes

Accessories:

- CP: Polished Chrome
- Other: Refer to Price Book for additional colors/finishes

Specified Model

Model	Description	Colors/Finishes	
K-2355	Undercounter lavatory	<input type="checkbox"/> 0	<input type="checkbox"/> Other_____
Recommended Accessory			
K-8998	Adjustable P-Trap	<input type="checkbox"/> CP	<input type="checkbox"/> Other_____

Product Specification

The undercounter lavatory shall be made of vitreous china. Lavatory shall be 17-5/8" (44.8 cm) in length, 13" (33 cm) in width, and 7-1/2" (19.1 cm) in depth. Lavatory shall be with overflow and without faucet hole(s). Lavatory shall include 52047 clamp assembly. Lavatory shall be Kohler Model K-2355-_____.

ARCHER™

Technical Information

Fixture*:	
Basin area	17-5/8" (44.8 cm) x 13" (33 cm)
Water depth	3-3/4" (9.5 cm)
Drain hole	1-3/4" (4.4 cm) D.
* Approximate measurements for comparison only.	

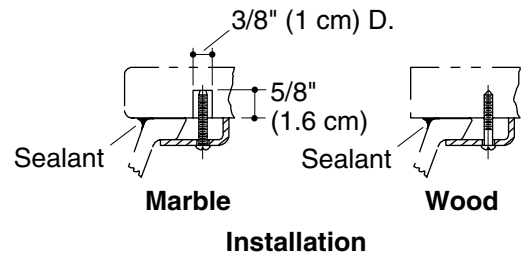
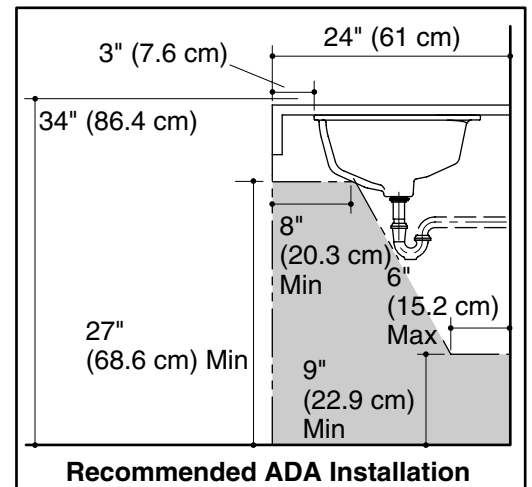
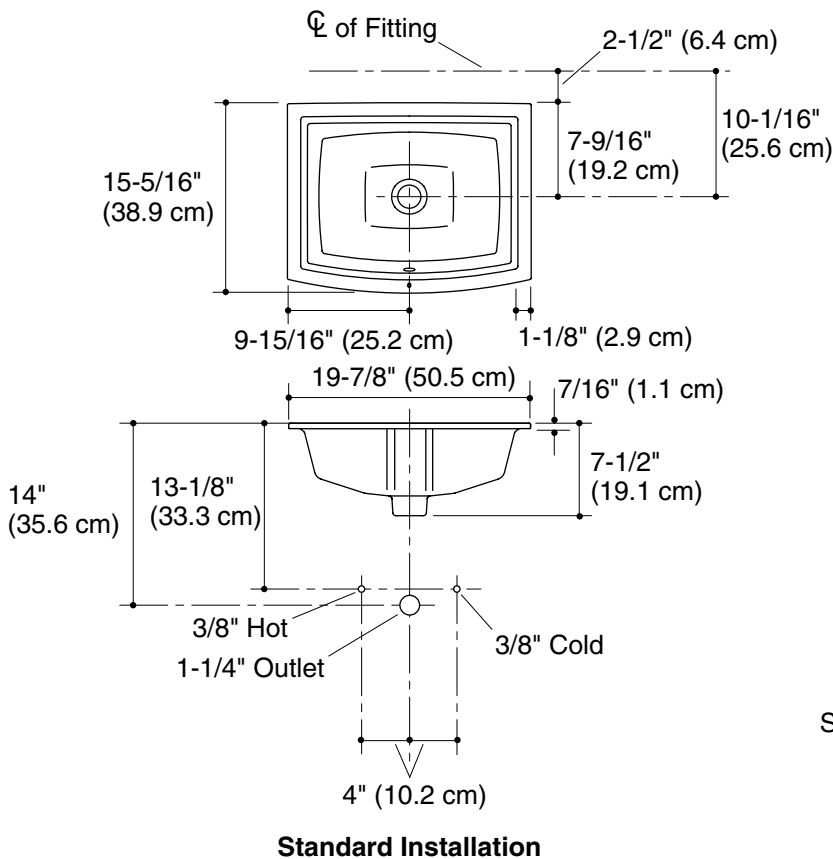
Included components:	
Basin clamp assembly	52047
Cut-out template	1051937-7

Installation Notes

Install this product according to the installation guide.

Supplied basin clamp assemblies require 1" (2.5 cm) minimum countertop thickness. Installer must supply anchors for thinner countertops.

NOTICE: Countertop manufacturer or cutter must use the cut-out template provided with the product, or a current one provided by Kohler (call 1-800-4-KOHLER). Kohler is not responsible for cut-out errors when incorrect cut-out template is used.



Product Diagram