

Thank you for choosing a Weatherables Fence! We are proud to provide the highest quality vinyl fencing available and are fully committed to providing you with superior service from the very first time we work together to long after we've delivered your product. This guide is designed to walk you through the installation process. If you have any questions, please give us a call at 855-224-9761 and welcome to Weatherables.

Layout & Post Installation

Step 1

The location of your gate will determine the layout of the posts for the fence line. The width of your gate will determine the spacing between your gate post. It is important to assemble your gate first since the gate width combined with the space needed for your gate hardware to function correctly will determine the distance between the gate post. Instructions for assembling your gate and determining the spacing needed for your gate hardware can be found online at weatherables.com/install.

Step 2

To make sure your fence run is straight, install line stakes and run a string line. The string line should be positioned on the side of the posts and be very tight.

Step 3

Use a tape measure and mark the location for each post. Most posts are to be installed 72" or 96" from center of post to center of post.

Tip: The width of all of our fence panels can be reduced.

Step 4

Remove the string line, leaving the stakes and dig the post holes. If installing with concrete, 5" post will need a 12" diameter hole. 4" posts will need 10" diameter hole. The recommended depth of holes is 30" - 36" (40" for 8' tall fencing).

Step 5

Next, re-attach the string line to the stakes and place a post in each hole. As you set the posts, use the string line to ensure the fence line is straight (see figure 1).

Step 6

Finally, mix the concrete and fill the hole around the post with concrete to 3" below ground level ensuring that the post is level and plumb. Best practice is to use two 80 lb. bags of Quickcrete for each 5" post or two 60 lb. bags for each 4" post.

Tips: Drilling a hole (1/4" bit) in the middle of the underside of each rail will allow water to escape.

ADDITIONAL STEPS REQUIRED FOR FENCES OVER 6' TALL OR HIGH WIND AREAS

If your fence is over 6' tall or located in a high wind area, you must reinforce the post with either concrete or an aluminum insert to at least 22" above grade. Concrete or aluminum may be used for 6' tall fences but an aluminum insert is required for 7' and 8' tall fences.

If you choose concrete, fill the inside of the post AFTER THE PANELS ARE INSTALLED. Prior to installing the panels into the post, tape the lower rail to prevent concrete back flow. If using aluminum inserts, be sure to install them prior to installing the panels. For additional high wind installation instructions, please see the back side.

Figure 1

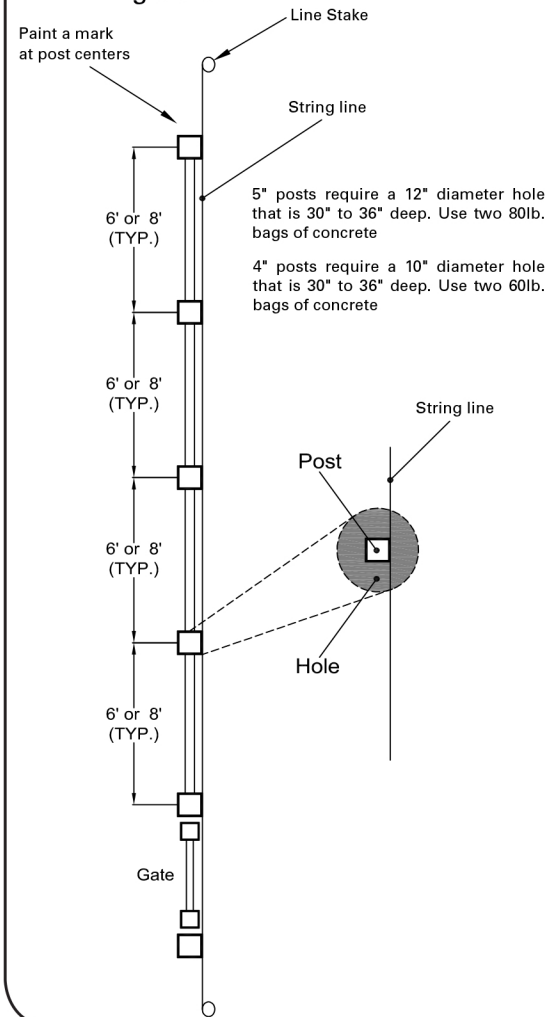
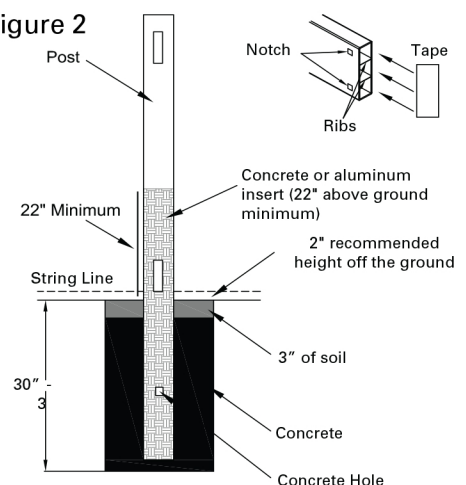
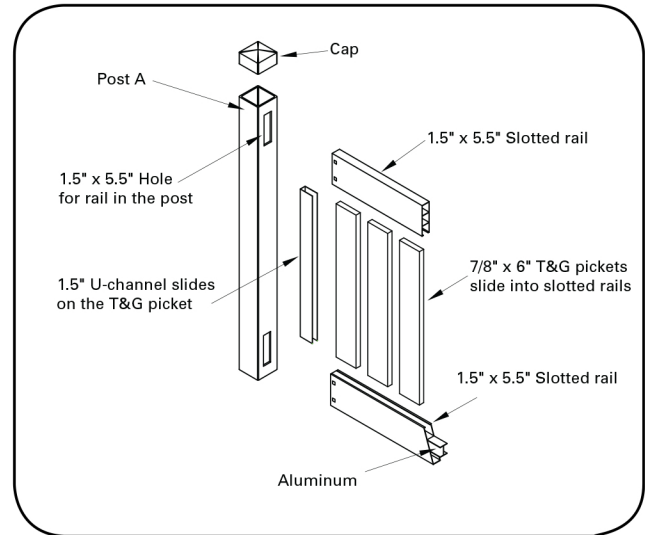


Figure 2



Panel Installation

1. Install the 1st post (post A) with concrete around the post. Be sure to level and plumb.
2. Have another post (post B) sitting in the adjacent hole.
3. Slide the bottom rail (with the aluminum insert) and top rail into post A.
4. Slide the T&G pickets between the bottom and top rails until the panel is complete. Be sure to slide a u-channel on the first and last picket.
5. Slide the bottom rail and then the top rail into the second post (post B).
6. Pour concrete around post B to about 3 inches below ground level and level and plumb.
7. If there is a small gap at each end, position the u-channels to cover any gaps.



High Wind Installation - 110 MPH sustained winds with gust up to 130 MPH

All of our vinyl privacy fence panels (up to 6' in height) have been engineered and tested to accommodate high wind loads. In order to withstand high loads, the additional installation steps below must be followed. Please note, testing completed on a 6' x 8' size panel confirms that all tongue and groove picket privacy fences 6' and shorter will accommodate wind loads of 110 MPH sustained winds with gust up to 130 MPH.

The Pembroke can accommodate wind loads of 90 MPH sustained winds and wind gust of up to 110 MPH without fasteners IF each post is reinforced to at least 22" above ground with aluminum or concrete (Step 1 below).

Step 1 Reinforce each post to at least 22" above ground with either an aluminum insert (prior to installing the fence) OR fill each post with concrete (after installing the fence) as shown in Figure 1. If using concrete, be sure to tape off the rails to prevent the concrete from flowing into rails.

Step 2 Install one #10 x 1" self-tapping stainless steel screw into the top and bottom of each 6" wide picket to secure the pickets to the top and the bottom rails. Screws should be placed no more than 1" from the top or bottom of the rail. Be careful not to over tighten the screws.

Step 3 Install a screw inside the post on each side of the top rail as seen in Figure 2.

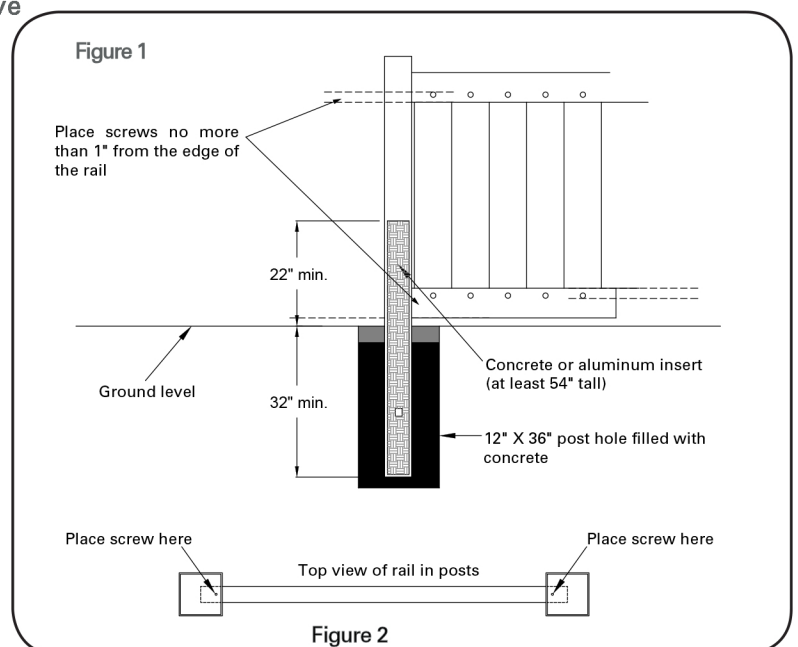


Figure 1

Place screws no more than 1" from the edge of the rail

22" min.

Ground level

32" min.

Concrete or aluminum insert (at least 54" tall)

12" X 36" post hole filled with concrete

Place screw here

Top view of rail in posts

Place screw here

Figure 2