



# Iron Plains® Capsule

## Drop-In/Under-Mount Bathroom Sink

### K-20213

#### Features

- Obround/capsule shaped basin.
- With overflow.
- No faucet holes; requires wall- or counter-mount faucet.
- 31-13/16" (808 mm) x 14-7/16" (367 mm) x 4-11/16" (120 mm) interior dimensions.

#### Material

- KOHLER® enameled cast iron.

#### Installation

- Drop-in or under-mount.

#### Components

Additional included component/s: Under-mount clamps pack #1193643.



**ADA** **CSA B651**

#### Codes/Standards

ASME A112.19.1/CSA B45.2  
 ADA  
 ICC/ANSI A117.1  
 CSA B651

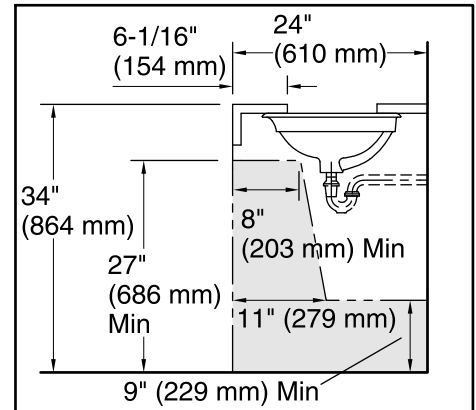
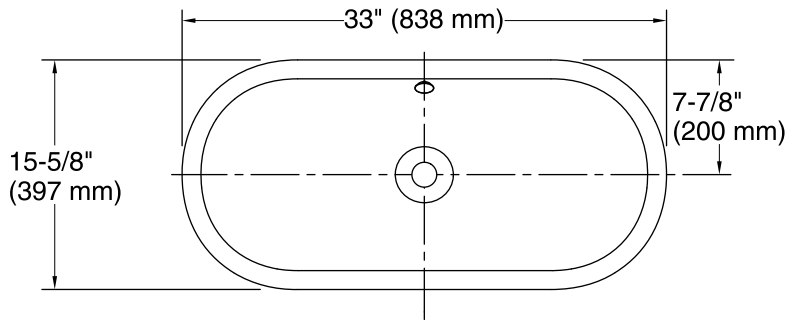
#### Lifetime Limited Warranty for KOHLER® Cast Iron Components

See website for detailed warranty information.

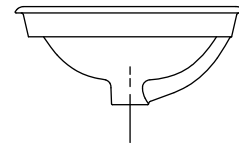
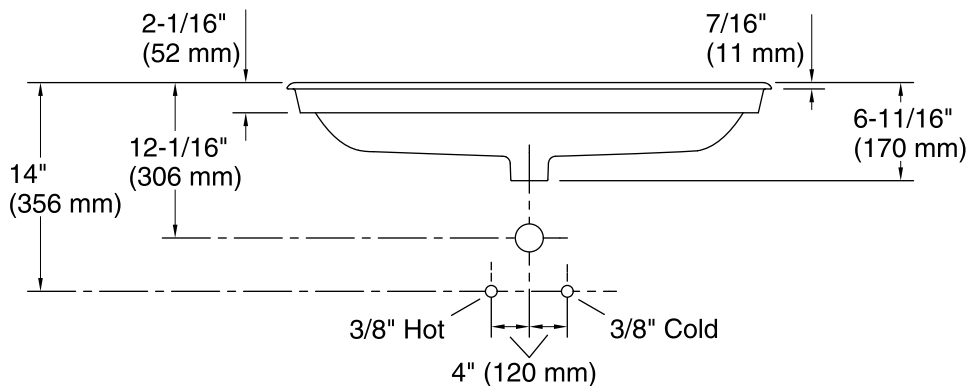
#### Available Color/Finishes

*Color tiles intended for reference only.*

Color	Code	Description
	0	White
	FF	Sea Salt™
	96	Biscuit
	FD	Cane Sugar™
	NY	Dune
	G9	Sandbar
	K4	Cashmere
	FT	Basalt
	KA	Black 'n Tan
	7	Black Black™



**Recommended ADA Installation**



### Technical Information

All product dimensions are nominal.

Installation:	Drop-In, Under-mount
Bowl area (Only):	Length: 31-13/16" (808 mm) Width: 14-7/16" (367 mm) Bowl depth: 4-11/16" (120 mm) Water depth: 3-1/4" (83 mm)
Drain hole:	1-3/4" (44 mm)
Template:	1319049-7, required, included

### Notes

Install this product according to the installation instructions.

Countertop manufacturer or cutter must use the cut-out template provided with the product, or a current one provided by Kohler Co. (call 1-800-43-FOCUS). Kohler Co. is not responsible for cut-out errors when the incorrect cut-out template is used.

ADA, CSA B651 compliant when installed to the specific requirements of these regulations.