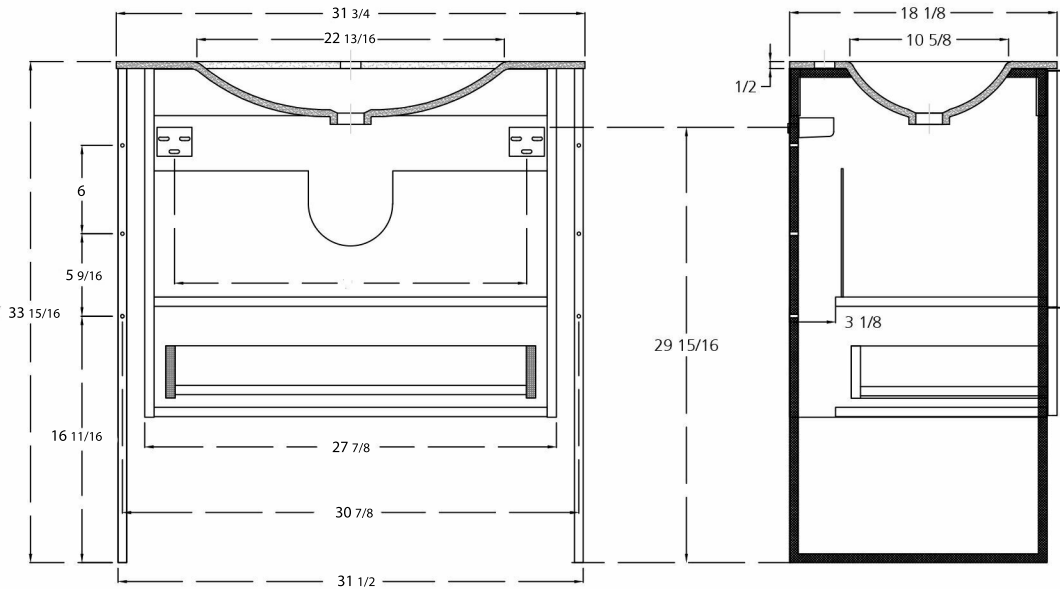


Wall Fixings

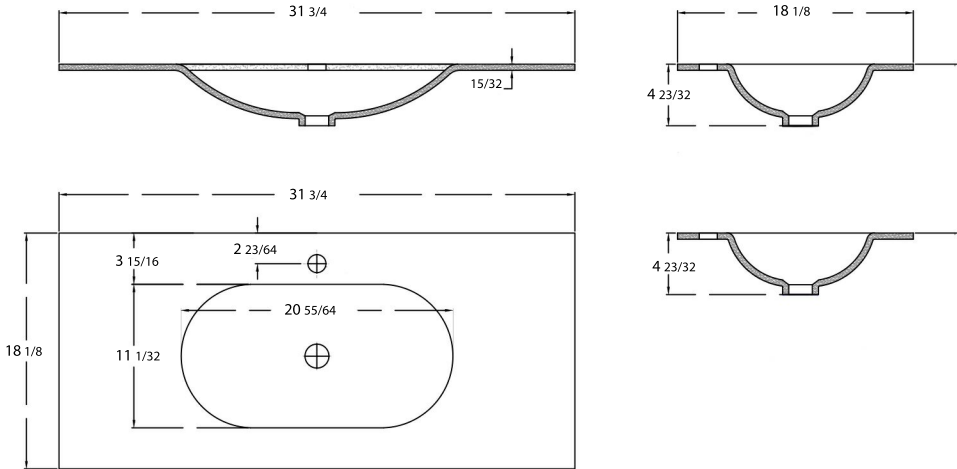


Sink Tolerance $\pm \frac{1}{8}$ "

Tolerance $\pm \frac{1}{8}$ "

This plan is property of MAXANI DESIGN S.L. IT IS PROHIBITED TO REPRODUCE WITHOUT EXPRESS AUTHORIZATION.

SERIES
DOKI 2.0



Tolerance $\pm 5/64$