



Medicine Cabinets

We would like to thank you for including a Design House medicine cabinet in your bath remodeling project. This cabinet will give you many years of trouble free service and add a special touch of elegance to your homes decor.

Please read these instructions carefully before you start installation of your new Design House cabinet.

**PREMIUM
QUALITY
CABINETS
BUILT
TO LAST™**

530592-NOK 530600-NOK 530618-NOK 530626-NOK
532374-WHT 532382-WHT 532390-WHT

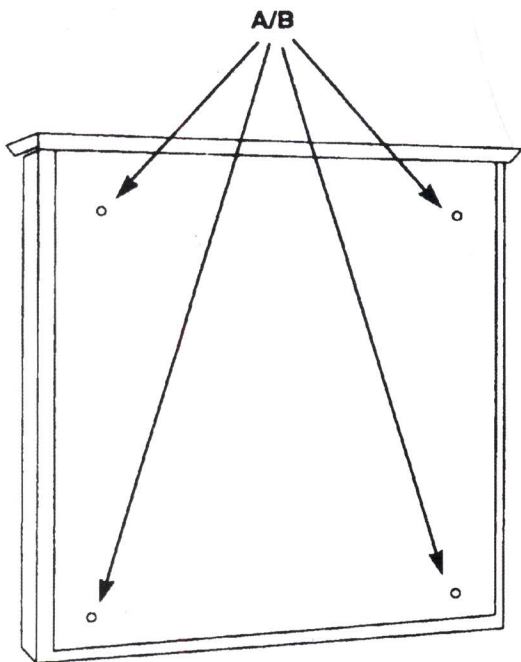
A s s e m b l y I n s t r u c t i o n s



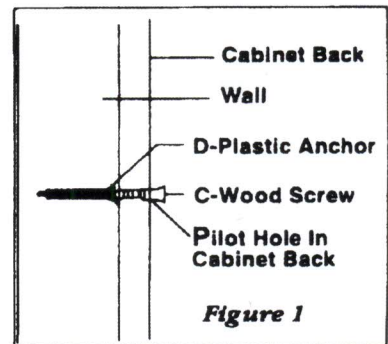
W180 N11691 River Lane • P.O. Box 1001 • Germantown, WI 53022-8201
262-255-1970 • FAX 262-255-9292

800-558-8700

Made in China



Medicine Cabinet Back View



Parts List

A - Predrilled Hole

B - Predrilled Hole

C - Wood Screw

D - Plastic Anchor



Installation Instructions

Mounting: _____

- A. Measure the distance between the centers of the pilot holes located on the back of your cabinet. Mark corresponding spots on the wall at this distance and height you wish to mount your cabinet. Or with the help of an assistant locate the position you wish for your cabinet, then use a level to make sure the cabinet is level. Use a pencil and mark the wall through the pilot holes on the back of the cabinet.
- B. With your mounting spots located and marked, drill a 3/16 inch diameter pilot hole at each spot.
- C. With the pilot holes completed, carefully tap one of the plastic anchors (D) provided with your cabinet into each of the holes.

Figure 1

- D. Proceed to screw one of the 1-1/2 inch wood screw (C) provided with your cabinet through each pilot holes in the cabinet back and into the plastic anchors making sure the screws are flush to the back of the cabinet. Make sure that the cabinet is secured tightly.

Your installation is now complete.

Lighting Fixture Installation Instruction

CAUTION!

1. Before beginning installation be sure electricity is turned off at fuse or circuit breaker box
 2. All wiring must be satisfying national and local electrical codes. This fixture must be grounded as precaution against electrical shock.
- * If any question please contact with electrician!

Wiring Instruction

1. Please take out all Wood Screws from the top of cabinet, then take out the top panel.
2. Please choose proper size electrical conduit or (Romex), be sure all electrical splices must be done in the Romex, (or in outlet box or metal box)

-- white wire from fixture to white wire from outlet box by wire nut

-- black wire from fixture to black wire from outlet box by wire nut

--green grounding wire from fixture to grounding wire from outlet box by wire nut

(Wire nuts are provided in parts bag.)

3. put the Top Panel back to cabinet, then fix all Wood Screws into pre-drill holes of Top Panel.

Install bulbs then turn power on at fuse or circuit box

