

# FlashAccessory™ MOLDED CORNER

TPO Low Slope Systems

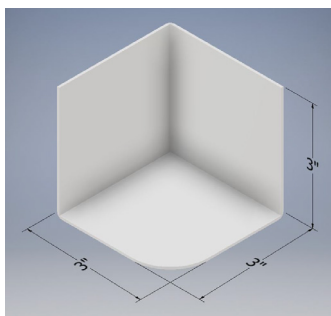
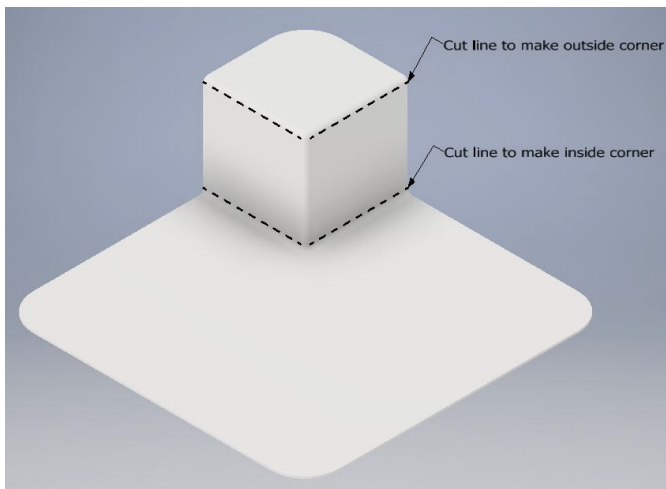
## OVERVIEW

FlashCo's FlashAccessory Molded TPO Universal Corner Flashings are injection molded and ideal for a multitude of roof details. Quickly flash either 90° interior corners, or 90° exterior corners by cutting at the top or bottom of the 3" riser portion (see diagram). Each FlashAccessory Molded Corner is comprised of 60 mil injection-grade, weldable TPO.

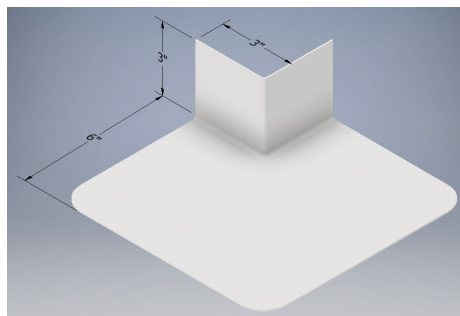
## INSTALLATION

See diagram below for cutting instructions.

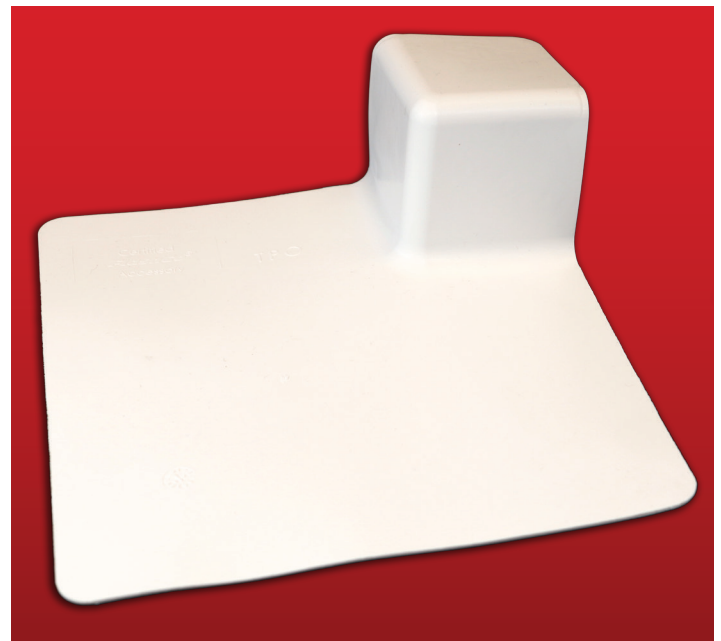
1. Prepare all welding surfaces by cleaning with TPO membrane cleaner.
2. Center the corner where both vertical faces meet and intersect the roof deck
3. Begin welding at the centermost point, progressively working outwards
4. Probe the edge of the membrane on all three faces



Inside Corner



Outside Corner



## FEATURES AND BENEFITS

- Saves up to 60% of labor compared to field fabrication
- Better fit and more uniform appearance than field flashing
- Do more with less – one part with inside and outside corner capabilities

## SAVING THE CONTRACTOR TIME

- **FlashCo's Brand Promise is Speed:** shipping 90% of orders within 3 days.
- 24/7/365 Online Contractor Portal and additional time-saving tools
- Most orders delivered on FlashCo's own delivery trucks
- Get off the roof sooner

## STANDARD SIZES & PACKAGING

Description	Molded TPO Universal Corner
Material	60 mil injection-grade, weldable TPO
Quantity	20ea/box
Packaging Size	10"x10"x4.5"
Box Weight	6 lbs.
Color	White

