

### Features

- Two lever handles offer separate control of hot and cold water.
- KOHLER ceramic disc valves exceed industry longevity standards for a lifetime of durable performance.
- 1.2 gpm (4.5 l/min) maximum flow rate.
- Box includes: Assembled faucet, supply lines, escutcheon plate, clicker drain.
- Coordinates with other products in the Setra collection.

### Material

- Premium material construction for durability and reliability.
- KOHLER finishes featuring ScratchShield® technology withstand even the toughest daily use (Brushed Nickel finish only).
- Spot Repel™ finish resists fingerprints, smudges, and water spots (Matte Black finish only).

### Installation

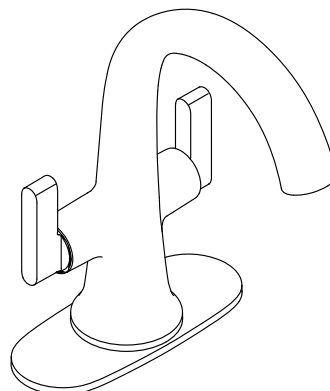
- For single-hole or 4" (102 mm) centers.
- Monoblock.
- Simplified faucet assembly; mounting hardware requires no special tools.

### Water Conservation & Rebates

- This product can help a building earn Water Efficiency points in LEED® Green Building Rating System.

### Recommended Products/Accessories

- K-23726 Drain treatment
- K-23723 Faucet cleaner



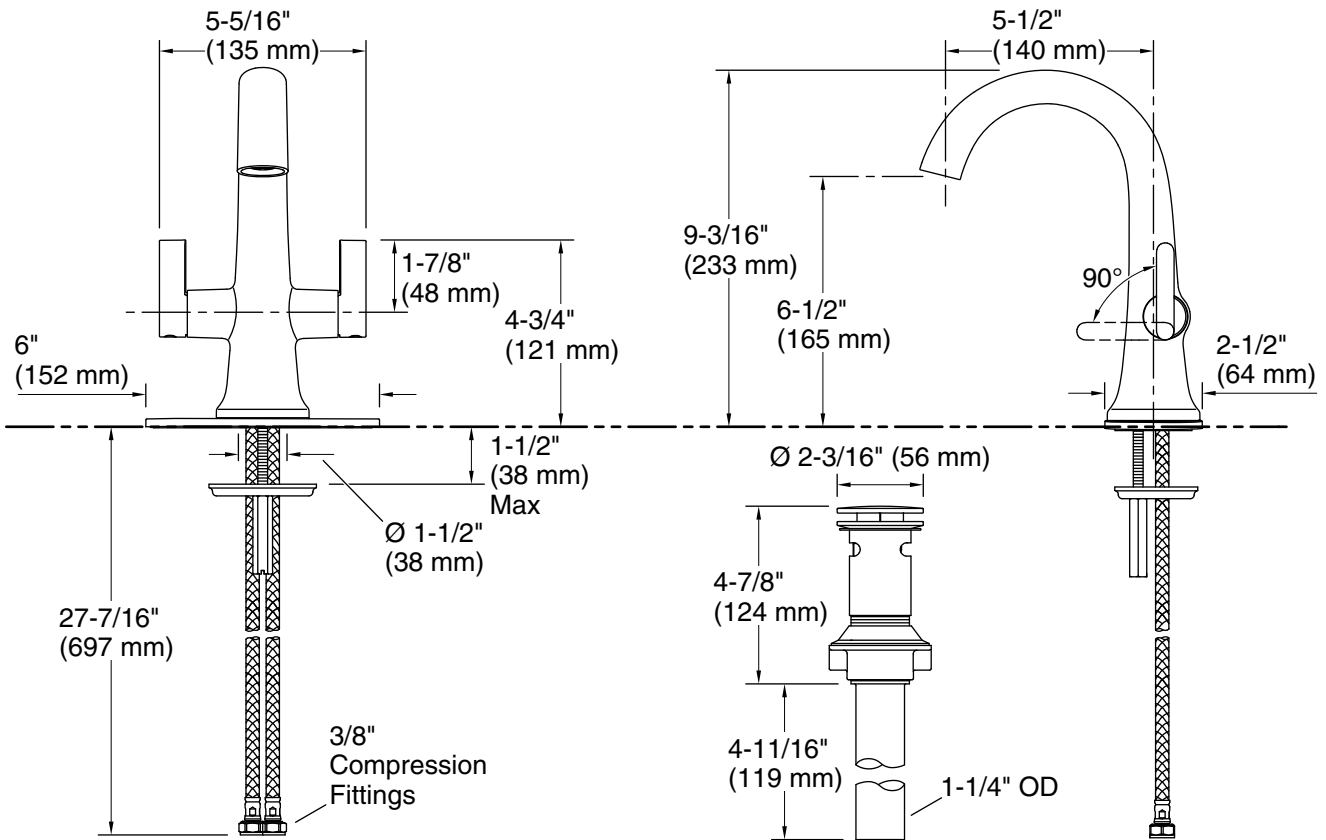
**ADA** **CSA B651** **OBC**

### Codes/Standards

ASME A112.18.1/CSA B125.1  
NSF/ANSI 61  
NSF/ANSI 372  
All applicable US Federal and State material regulations  
DOE - Energy Policy Act 1992  
EPA WaterSense®  
California Energy Commission (CEC)  
ADA  
ICC/ANSI A117.1  
CSA B651  
OBC

### KOHLER® Faucet Lifetime Limited Warranty

See website for detailed warranty information.



### Technical Information

All product dimensions are nominal.

#### Faucet:

- Flow rate: 1.2 gal/min (4.5 l/min)
- Pressure: 20 psi (1.4 bar)
- Drain included: Yes
- Drain with overflow: Yes

#### Spout:

- Spout reach: 5-1/2" (139 mm)

### Pressure and Supply Requirements

#### Fixture Supply Requirements

- Min flowing pressure: 10 psi (68.9 kPa)
- Min flow rate: 125 gpm (473.2 lpm)

### Notes

Install this product according to the installation instructions.

ADA, OBC, CSA B651 compliant when installed to the specific requirements of these regulations.