

KOHLER®

Brinx®
Top-mount Bar Sink
K-3674

Features

- 21-inch minimum base cabinet width.
- 14-gauge stainless steel.
- Top-mount.
- Single bowl.
- 6-inch depth.
- 18-3/4" (476 mm) diameter.

Optional Accessories

K- 8801 Sink Strainer



ADA

Codes/Standards

ASME A112.19.3/CSA B45.4

ADA

ICC/ANSI A117.1

Lifetime Limited Warranty for KOHLER® Stainless Steel Sinks

See website for detailed warranty information.

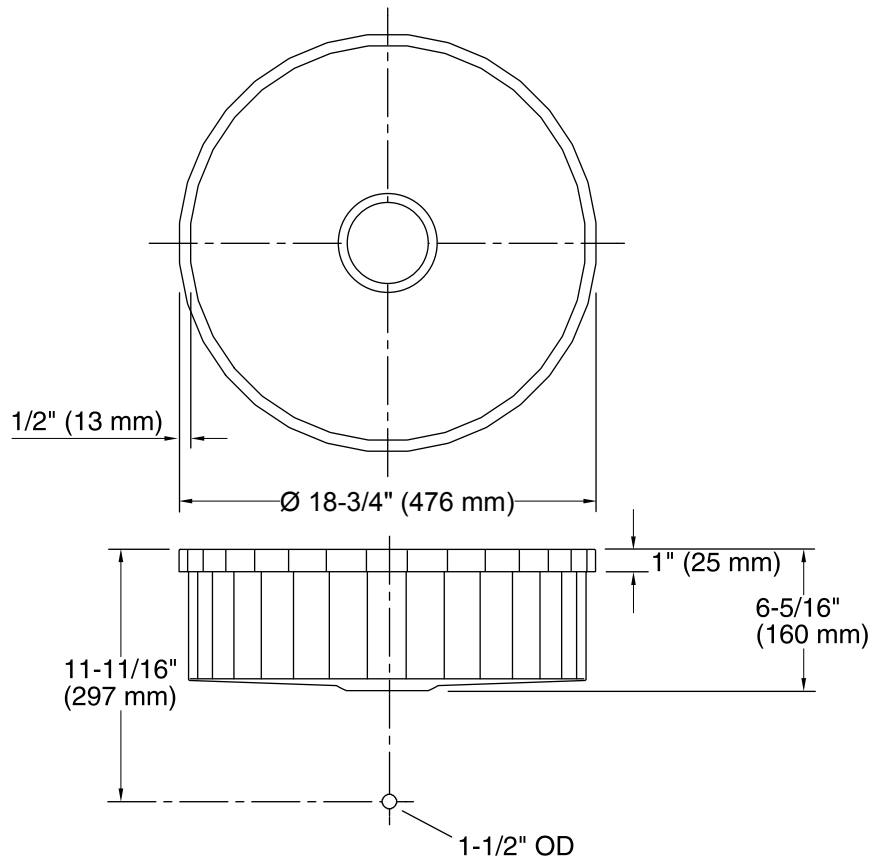
USA/Canada: 1-800-4KOHLER (1-800-456-4537)

Kohler Co. reserves the right to make revisions without notice to product specifications.

For the most current Specification Sheet, go to www.kohler.com.

11-13-2015 02:44

THE BOLD LOOK
OF **KOHLER®**



Technical Information

All product dimensions are nominal.

| | |
|---------------------|--|
| Bowl configuration: | Single |
| Installation: | Top-mount |
| Bowl area (Only) | Diameter: $17\text{-}3/4\text{''}$ (451 mm) Bowl depth: 6'' (152 mm) |
| Drain hole: | $3\text{-}5/8\text{''}$ (92 mm) |
| Template: | Top-mount, 1220554-7, required, included |

Notes

ADA compliant when installed to the specific requirements of these regulations.