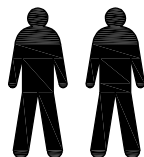
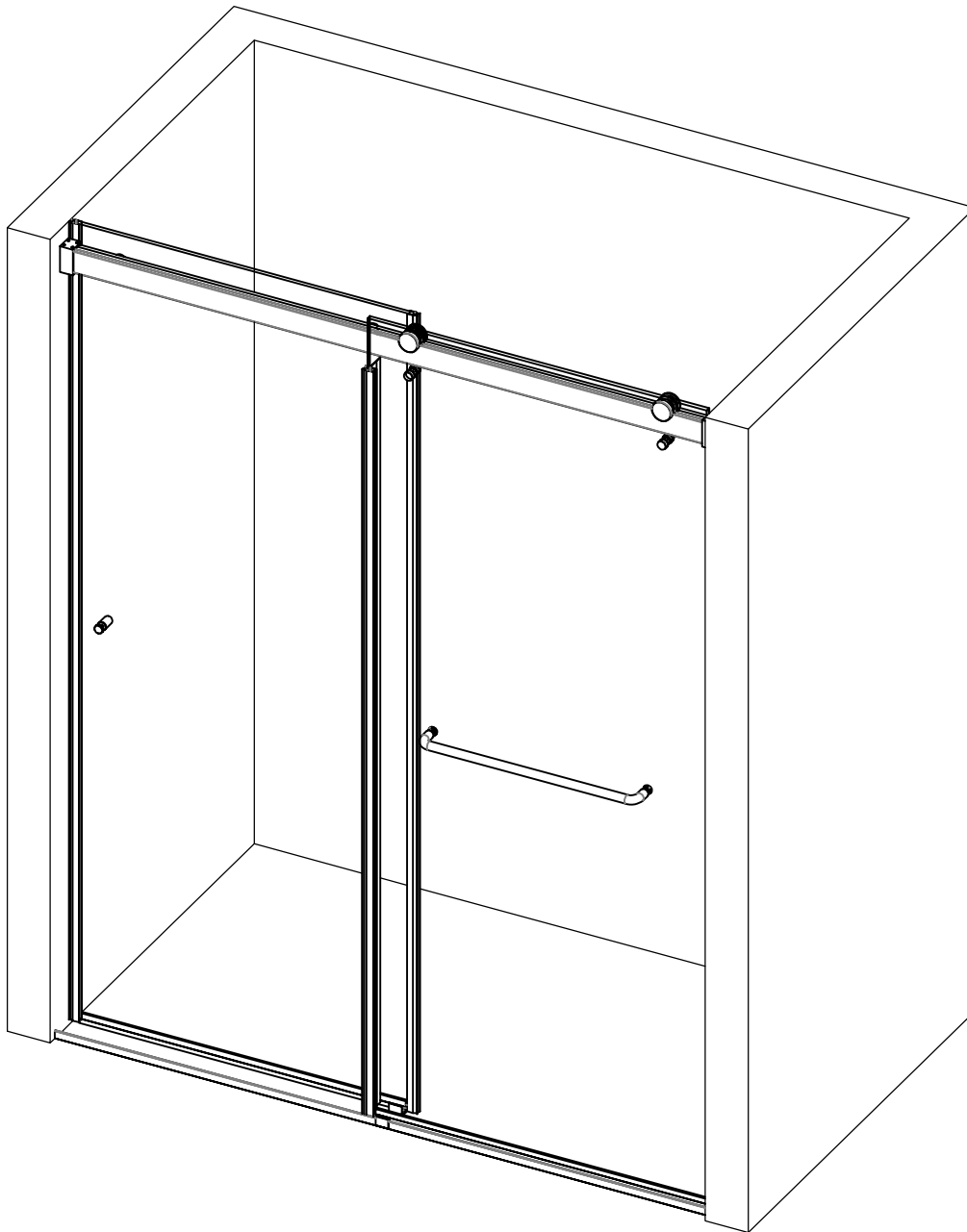


INSTRUCTION MANUAL

Phone: 470-926-8618 / 321-946-6293

E-mail: yinvaniservice@outlook.com



2 PEOPLE REQUIRED

**Please keep this manual and product code number for future reference
and for ordering replacement parts if necessary.**

GENERAL INSTRUCTIONS

- Read this manual carefully and completely before proceeding.
- It is recommended that you wear safety glasses at all times during the installation.

INSTALLATION OVER CERAMIC TILES

- If your shower door is to be installed over ceramic tiles, the tiles should lay completely under the wall jamb.
- Silicone should be used to seal the gap where the ceramic tiles meet the fixed panel.

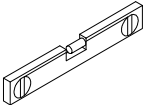

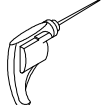


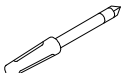
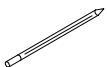
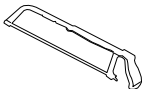
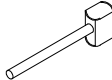

NOTICE

- Caulking : no sealant is required inside the shower, unless otherwise stated.
- Some models are equipped with clear sealing gaskets.

CARE FOR YOUR SHOWER DOOR

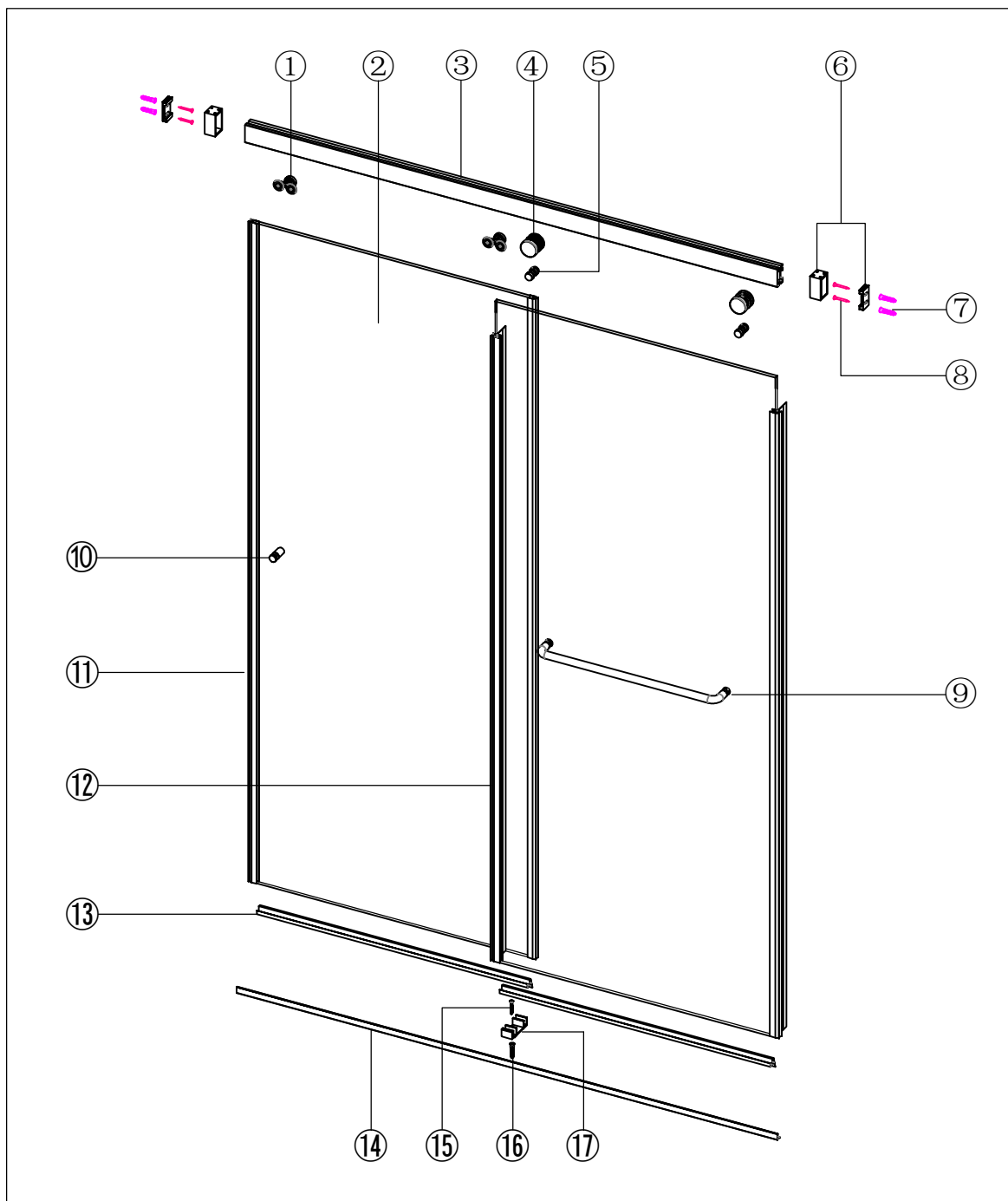
- Never use scouring powder pads or sharp instruments on metal pieces or glass panels.
An occasional wiping down with a mild soap diluted in water is all that is needed to keep the panels and metal parts looking new
- We recommend wiping the glass panels with a squeegee after each use.

Tools Required

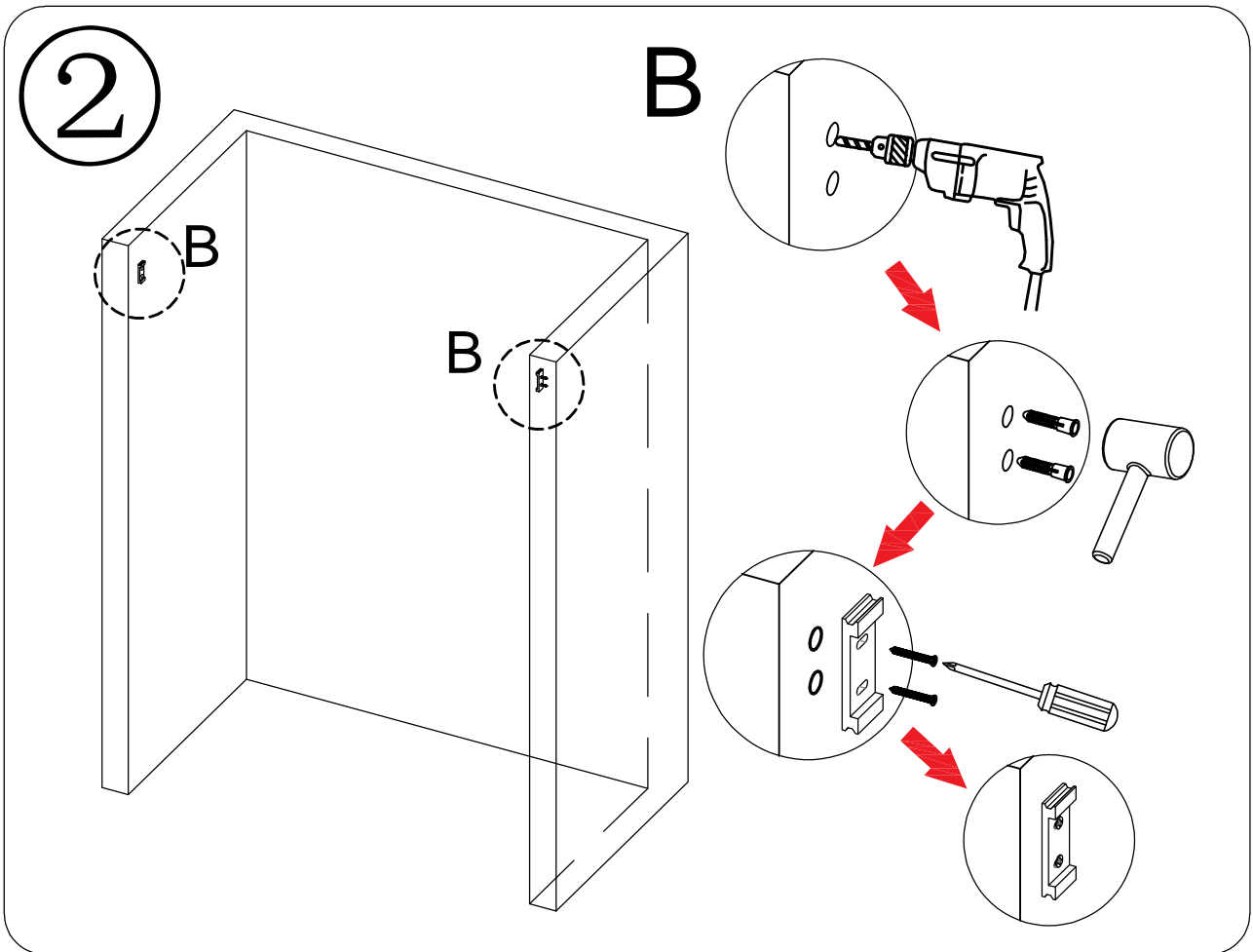
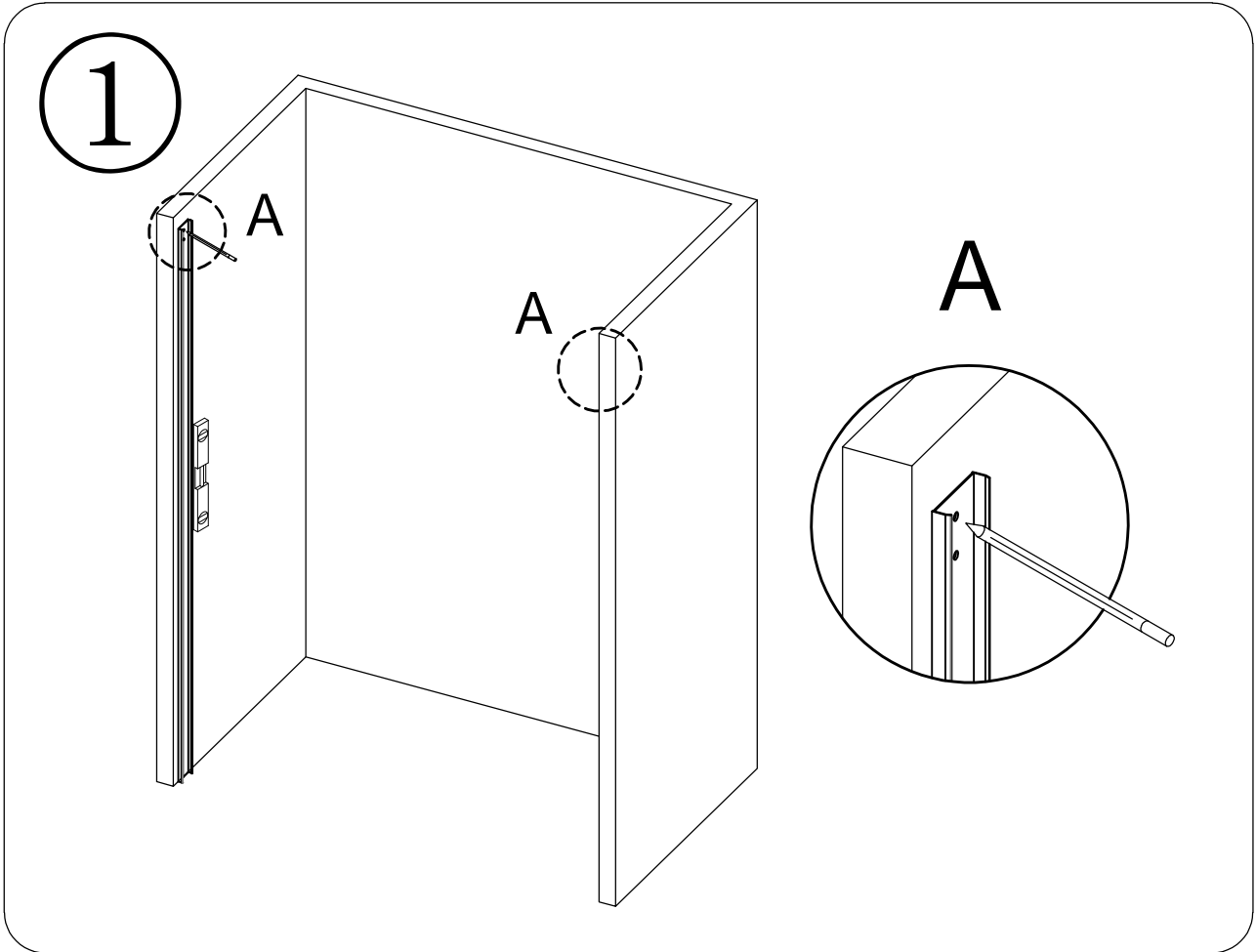
 Spirit level	 Tape measure	 Power drill	 Drill Bits	 Silicone Gun
 Screw driver	 Pencil	 Hacksaw	 Rubber hammer	 Safety glasses

Product specifications are subject to change without notice

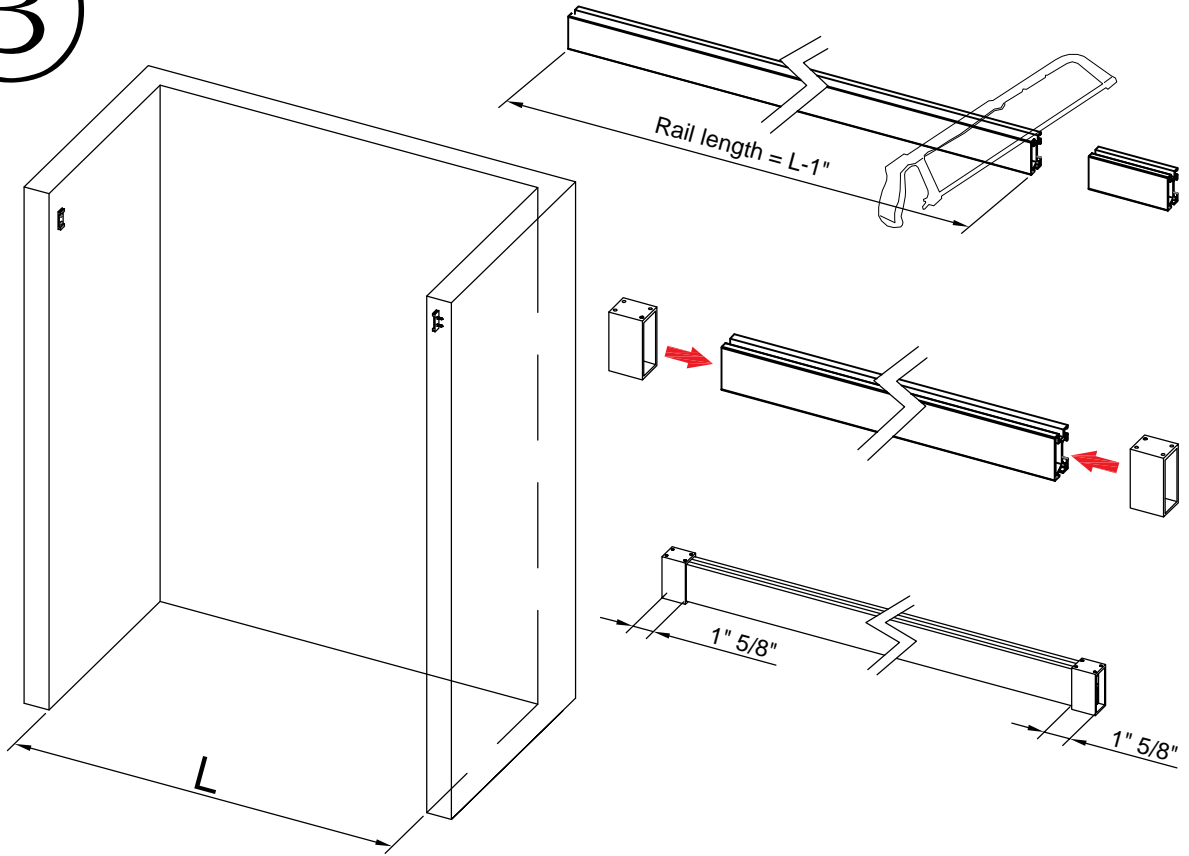
Detailed Diagram of Shower Enclosure Components



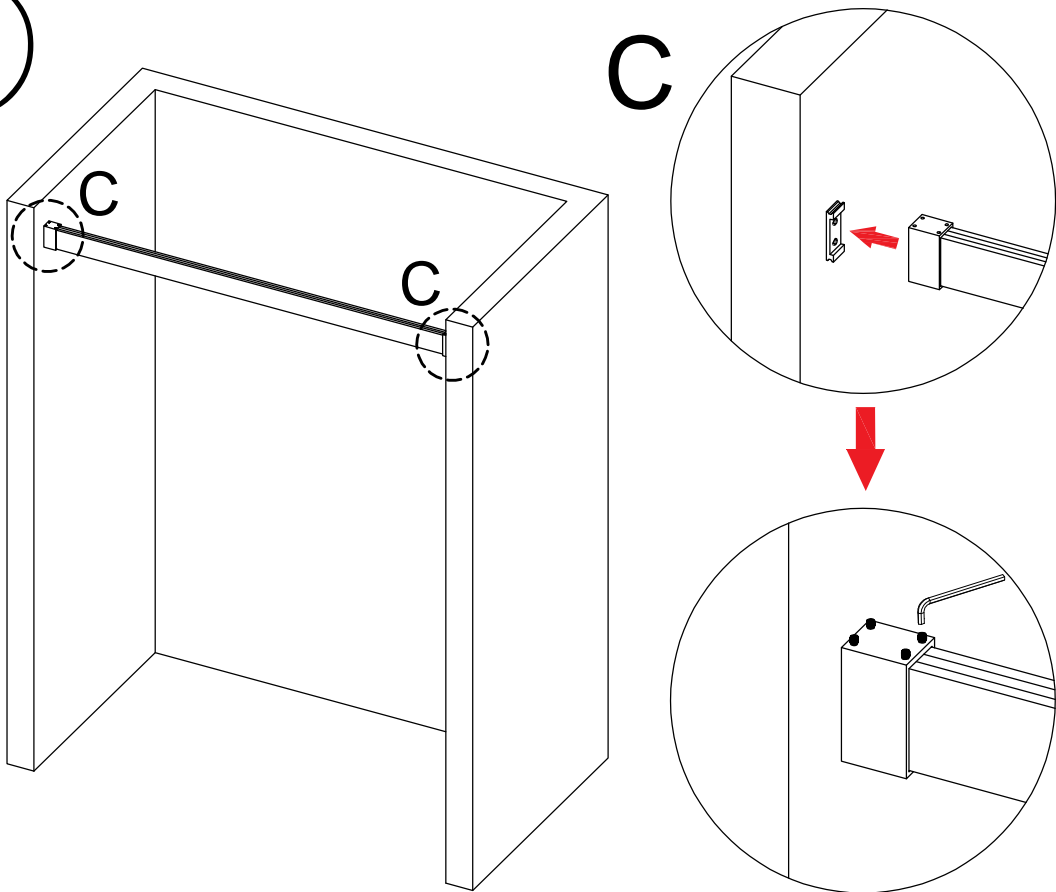
NO.	Name	Picture	Qty	NO.	Name	Picture	Qty
1	Roller		2	10	Towel Bar		1
2	Sliding Door		2	11	Door Seal-1		2
3	Guide Rail		1	12	Door Seal-2		2
4	Ø45 Roller		2	13	Door Seal-3		2
5	Anti-jumping Knob		2	14	Anti-splash Threshold		1
6	Wall Bracket		2	15	Screw ST4x30		1
7	8mmWall Plug		4	16	6mmWall Plug		1
8	Screw ST5x40		4	17	Guide Block		1
9	Towel Bar		1	18			



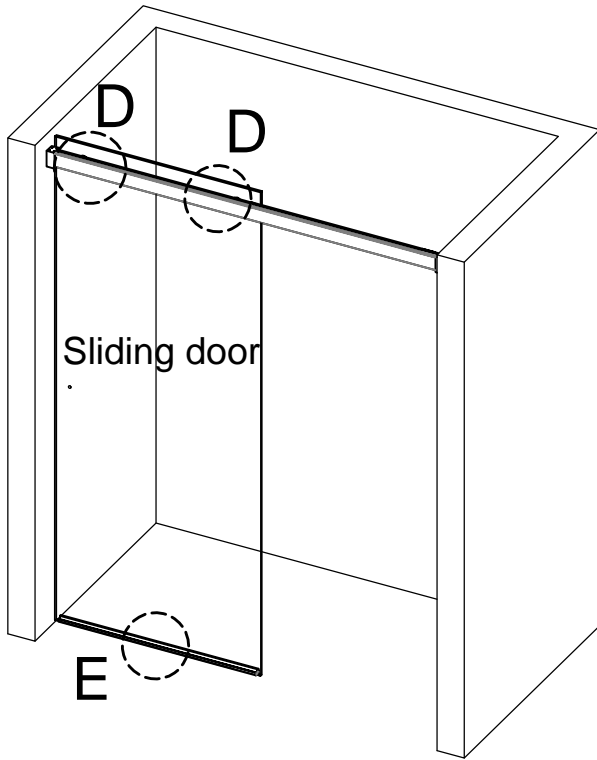
3



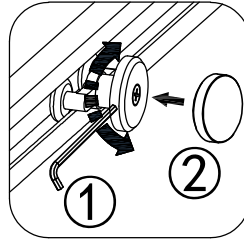
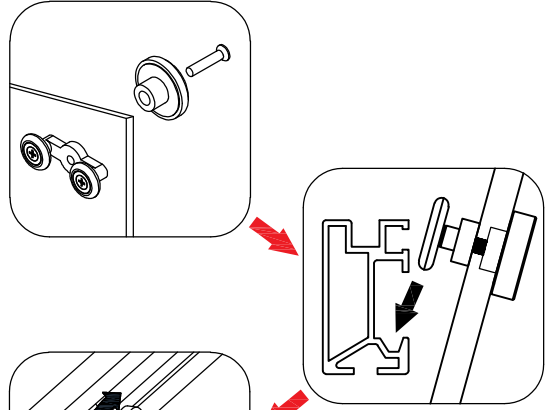
4



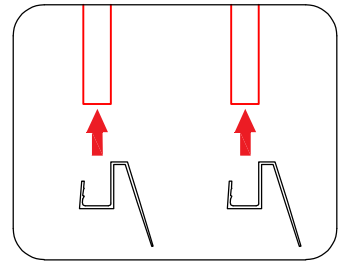
5



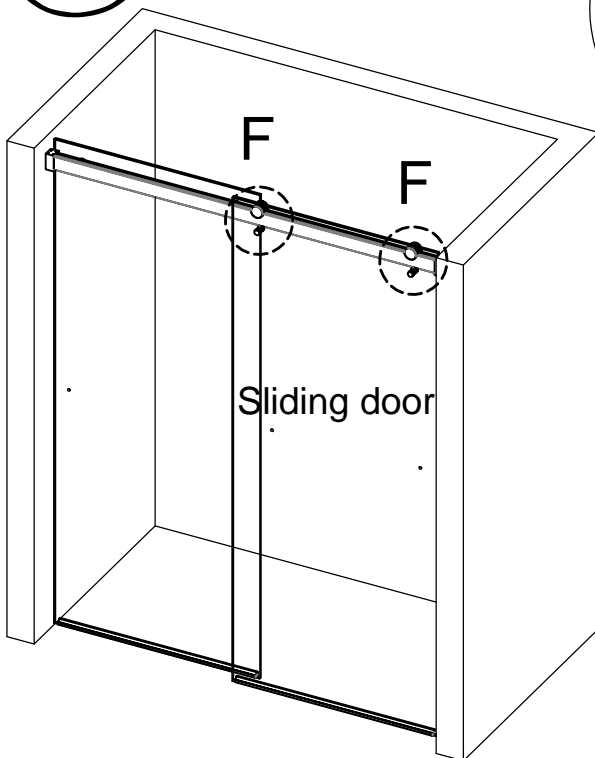
D



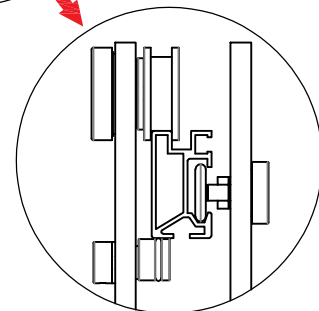
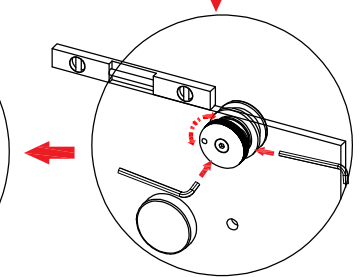
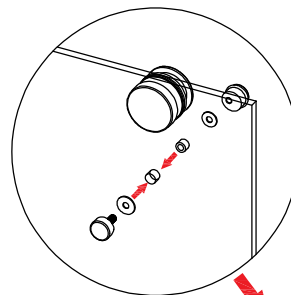
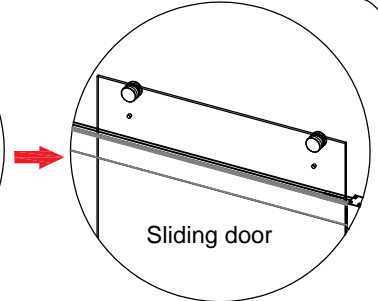
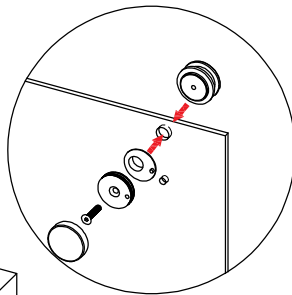
E



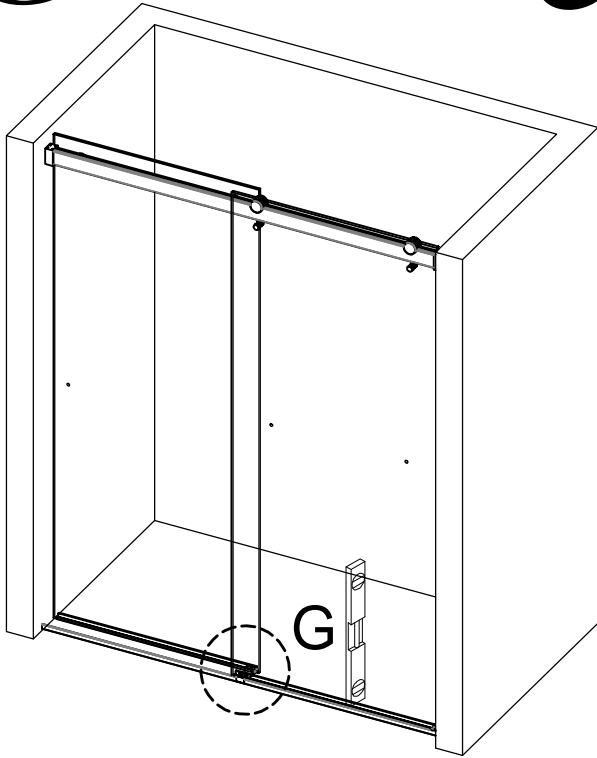
6



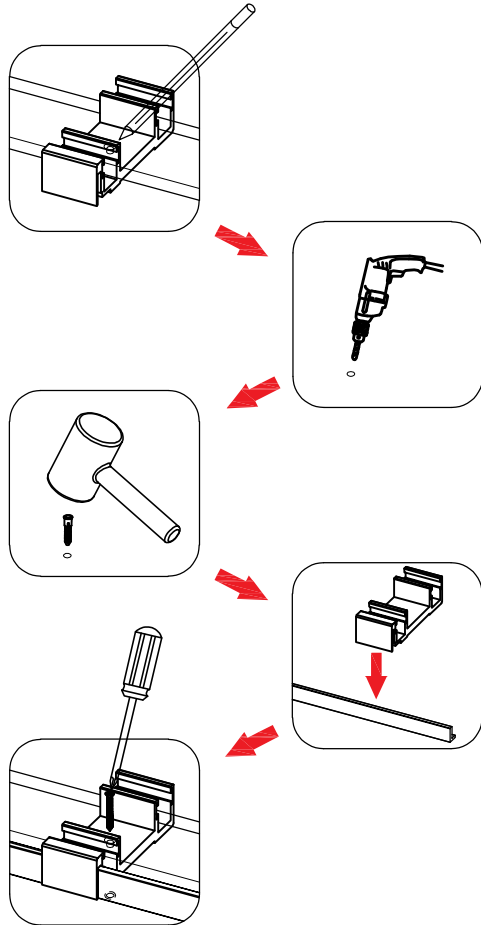
F



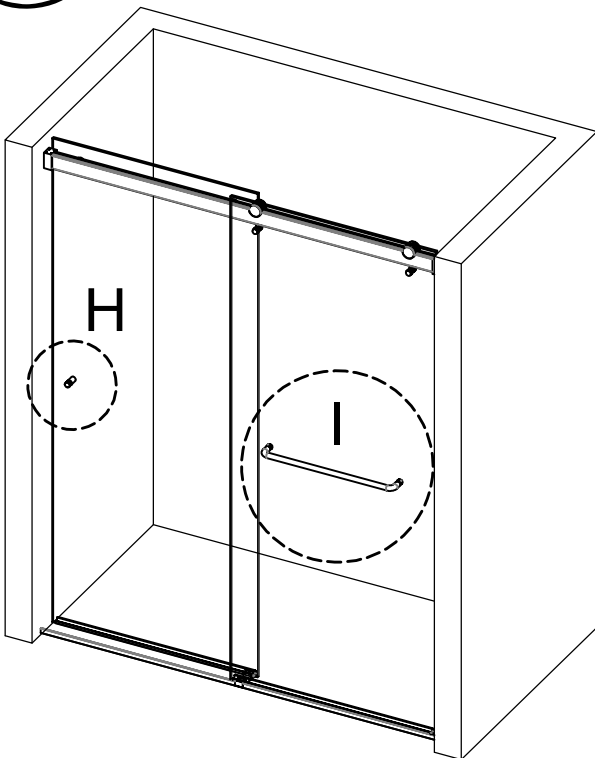
7



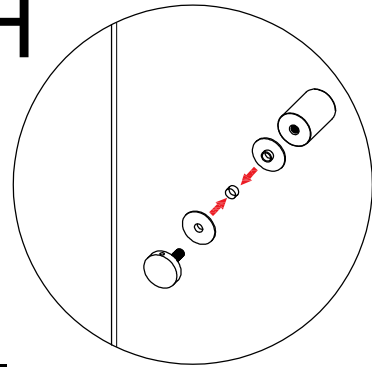
G



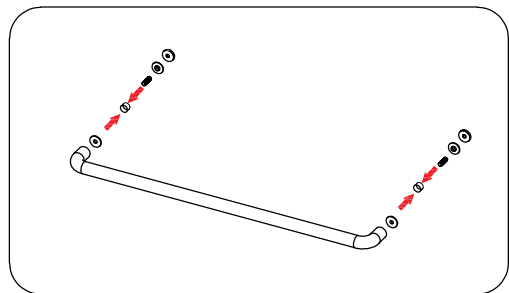
8



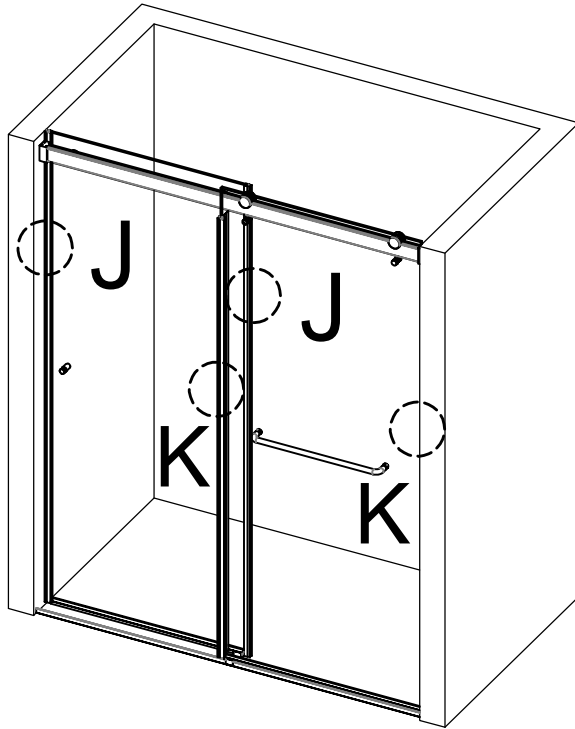
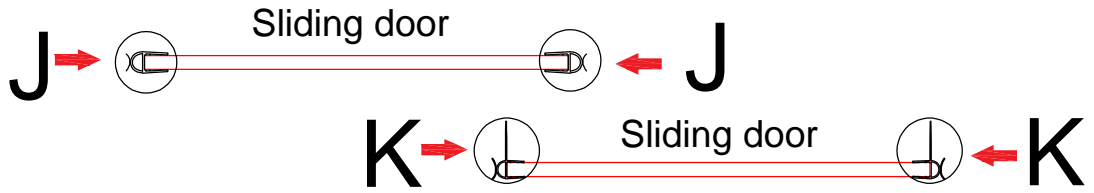
H



I



9



10

