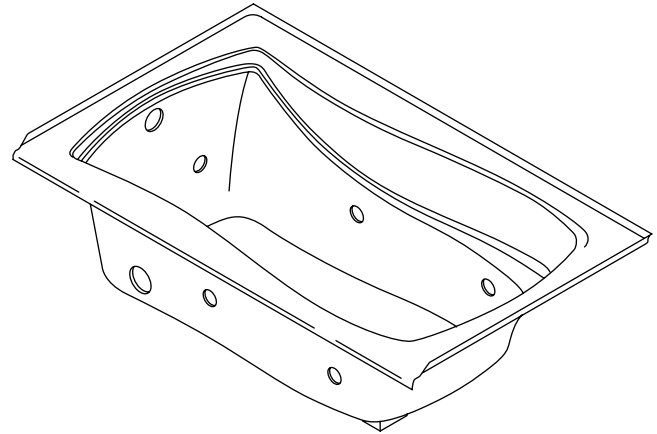


BATH WHIRLPOOL K-1224-H

ALSO K-1224-LH, K-1224-RH

Features

- Acrylic
- Drop-in or three-wall alcove
- 5 individually adjustable ProFlex® hydro-massage jets
- 1.25 hp pump with air switch and grounding-type plug-in cord
- In-line heater
- Optional K-9695 metal finish 5 jet trim kit
- Optional K-1717 timer kit
- Optional K-1234 removable apron
- 66" (167.6 cm) x 35-7/8" (91.1 cm) x 20" (50.8 cm)



Codes/Standards Applicable

Specified model meets or exceeds the following:

- ASME A112.19.7M
- ANSI Z124.1.2
- IAPMO/UPC
- Underwriters Laboratories (UL)

Colors/Finishes

- 0: White
- Other: Refer to Price Book for additional colors/finishes

Accessories

- CP: Polished Chrome
- PB: Vibrant® Polished Brass
- NA: None applicable

Specified Model

Model	Description	Colors/Finishes	
K-1224-H	Bath whirlpool with heater – drop-in	<input type="checkbox"/> 0	<input type="checkbox"/> Other _____
K-1224-LH	Bath whirlpool with heater, integral flange and left drain – 3-wall alcove (shown)	<input type="checkbox"/> 0	<input type="checkbox"/> Other _____
K-1224-RH	Bath whirlpool with heater, integral flange and right drain – 3-wall alcove	<input type="checkbox"/> 0	<input type="checkbox"/> Other _____

Recommended Accessories

K-7161-AF	Adjustable pop-up drain with tailpiece	<input type="checkbox"/> CP	<input type="checkbox"/> PB	<input type="checkbox"/> Other _____
-----------	--	-----------------------------	-----------------------------	--------------------------------------

Optional Accessories

K-1234	Removable apron	<input type="checkbox"/> 0			<input type="checkbox"/> Other _____
K-1717	20-minute timer kit			<input type="checkbox"/> NA	
K-9695	Metal finish 5 jet trim kit		<input type="checkbox"/> CP	<input type="checkbox"/> PB	<input type="checkbox"/> Other _____

Product Specification

The acrylic bath whirlpool shall be 60" (152.4 cm) in length, 35-7/8" (91.1 cm) in width, and 20" (50.8 cm) in height. Bath whirlpool shall be for drop-in or 3-wall alcove installation. Bath whirlpool shall feature 5 individually adjustable ProFlex® hydro-massage jets and an in-line heater. Bath whirlpool shall feature a 1.25 hp pump with air switch and grounding-type plug-in cord. Bath whirlpool shall be available with an optional K-1234 removable apron, an optional K-9695 metal finish 5 jet trim kit, and an optional K-1717 timer kit. Bath whirlpool shall be Kohler Model K-1224-____-____.

MARIPOSA®

Technical Information

Fixture*:	
Bathing well:	
Basin area, bottom	48" (121.9 cm) x 24" (61 cm)
Basin area, top	59" (149.9 cm) x 30" (76.2 cm)
To overflow:	
Water depth	14" (35.6 cm)
Capacity	67 gal (253.6 L)
Weight	115 lbs (52.2 kg)
* Approximate measurements for comparison only.	

Drop-in cutout:	64" (162.6 cm) x 34" (86.4 cm)
-----------------	--------------------------------

Pump:	Hp	V	Hz	A
1-speed	1.25	120	60	7.5
Heater:	Kw	V	Hz	A
	1.5	120	60	12.5

Required Electrical Service

Two dedicated circuits required, each protected with Class A Ground-Fault Circuit-Interrupter (GFCI):	
Pump/control	120 V, 15 A, 60 Hz
Heater	120 V, 15 A, 60 Hz
Locate the outlets behind the whirlpool and within 24" (61 cm) of the pump.	

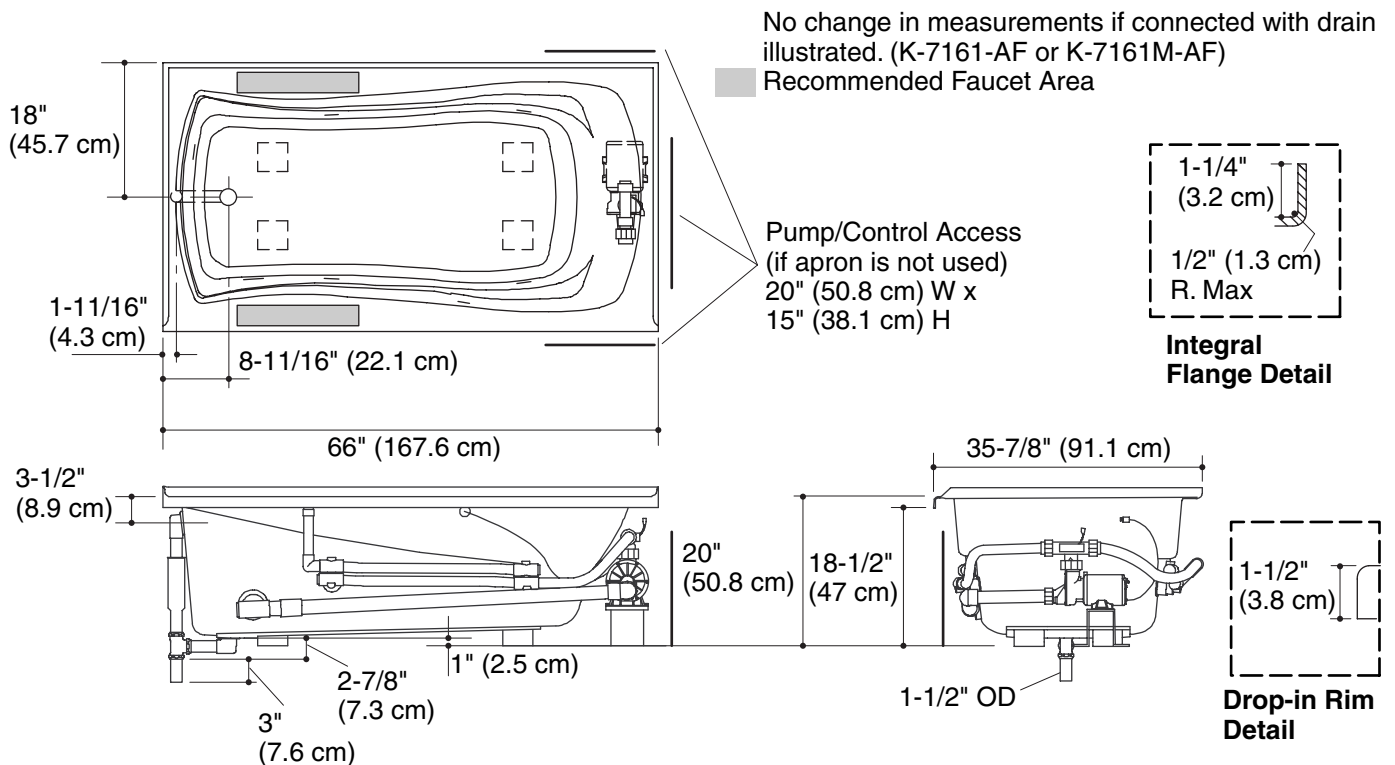
Installation Notes

Install this product according to the installation guide.

Floor support under whirlpool must provide for a minimum of 43 lbs/square foot (208 kg/square meter) loading.

If installing a rim-mount faucet, make sure there is no interference with the drain overflow and circulating system before drilling any holes. If installing a spout on the faucet deck, consult local and national codes for minimum air gap requirements.

The apron must be installed before the finished floor and wall materials are installed.



Product Diagram