

# VEVOR®

TOUGH EQUIPMENT & TOOLS, PAY LESS

VEVOR is a leading brand that specializes in equipment and tools. Along with thousands of motivated employees, VEVOR is dedicated to providing our customers with tough equipment & tools at incredibly low prices. Today, VEVOR's products are sold in more than 200 countries and regions with 10 million plus members worldwide.

## VEVOR Post Base: Elevating Safety and Style in Every Step!

VEVOR®

### 4"X4" (10PCS) CONNECTOR BASES PROVIDING SECURE SUPPORT FOR RAILINGS



Sturdy and Durable



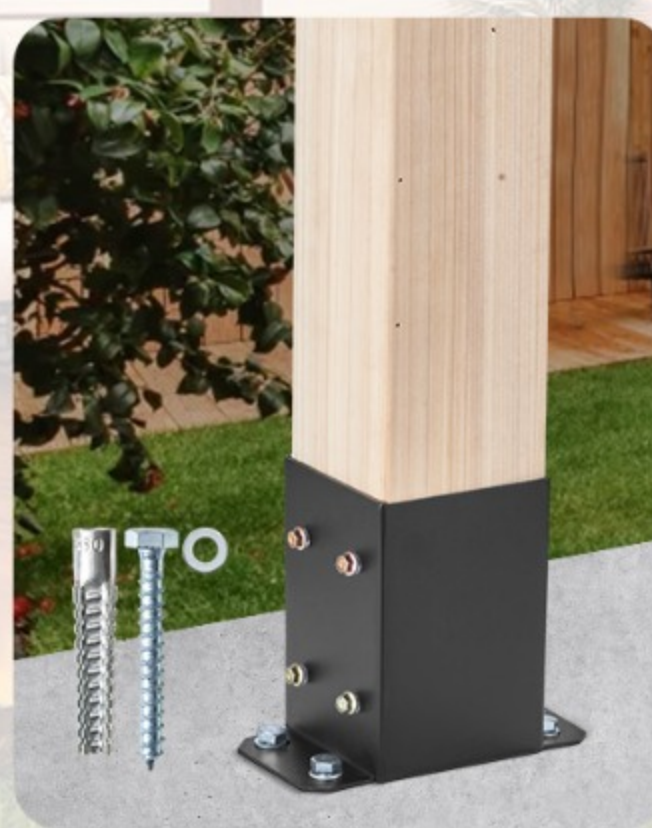
Easy Installation



Dual-Purpose Screws

Made from sturdy carbon steel, these connectors are durable and rust-resistant. They offer stable support and can be easily installed on both concrete and wooden floors, making them versatile for fixed installations in structures like pergolas and porch railings.

### WITH DUAL-PURPOSE SCREWS FOR VERSATILE INSTALLATION



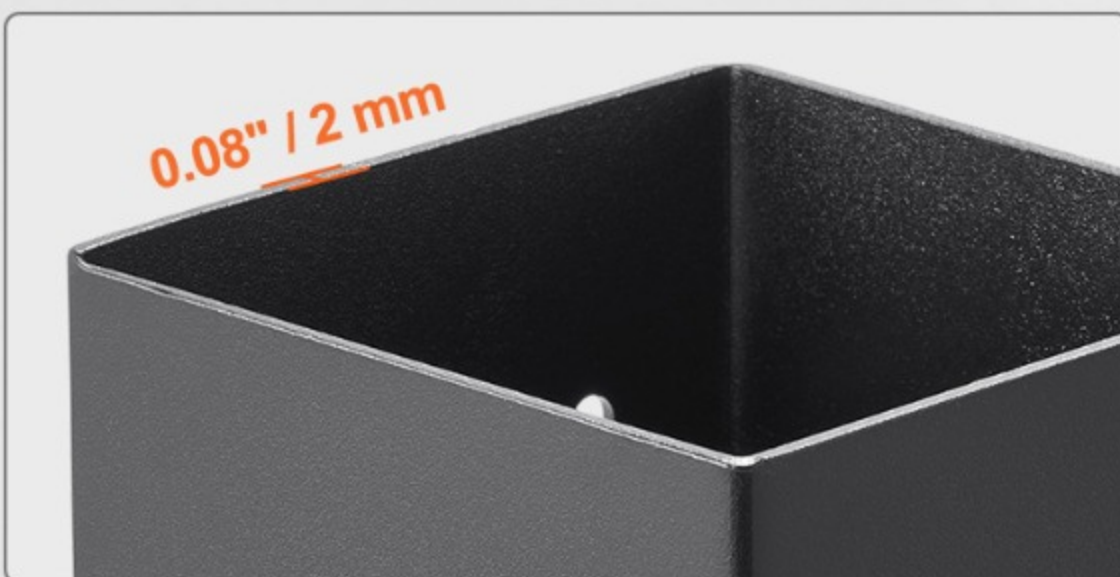
Socket & Self-Tapping Screws For Concrete Installation.



Self-Tapping Screws Alone For Wooden Floor Installation.

The connector's base is designed with a full wrap structure, ensuring stable support for railings without wobbling, providing safety protection for the installation site.

### DURABLE MATERIAL FOR LONG-LASTING USE



Carbon Steel Material  
Wall Thickness Of 0.08"/2mm For Robust Durability



Surface Spray Coating  
Rust Prevention And Wear Resistance

With serrated sleeves and self-tapping screws, it can be used for installation on both concrete and wooden floors.

### SIMPLE 3-STEP, EFFORTLESS INSTALLATION



Determine the installation holes and drill.



Depending on the surface, choose screws to secure the base.



Place the railing into the connector base and secure.

The connector's base is made from robust carbon steel material, coated with a spray finish for wear resistance and rust prevention, ensuring a long lifespan.

### VERSATILE SOLUTIONS FOR EVERY SETTING

Pergolas

Porch Railings

Posts

Installations are made easy by using a drill for hole preparation, and the product comes with pre-made screw holes, allowing for simple assembly.

VEVOR®

Model: QBLZ-4in-10

Main Material: Carbon Steel

Internal Dimensions: 3.6"x3.6"

Suitable Wood Post Sizes: 4"x4"

Recommended Wood Post Dimensions: 3.5"x3.5"

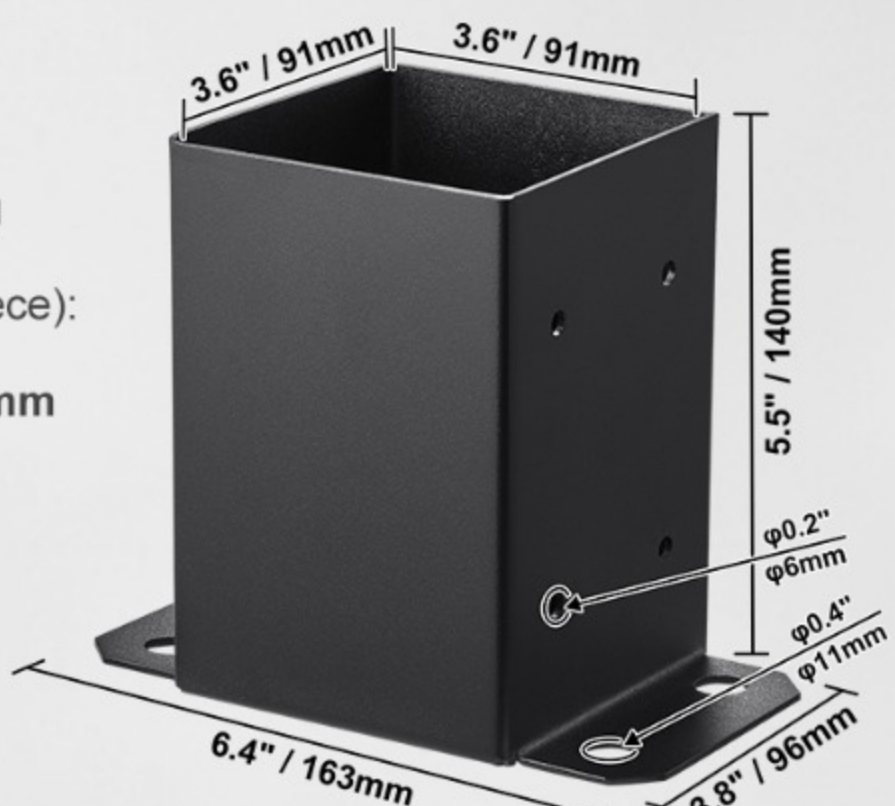
Quantity: 10pcs

Net Weight: 23.8lbs/10.8kg

Product Dimensions (per piece):

3.8x5.5x6.4in/96x140x163mm

3.5"x3.5"



We continue to be committed to provide you with cost-effective tools. "Save Half" or any other similar expressions used by us only represents an estimate of savings you might benefit from buying certain tools with us compared to the major top brands and does not necessarily mean to cover all categories of tools offered by us. You are kindly reminded to verify carefully when you are placing an order with us if you are actually saving half in comparison with the top major brands.