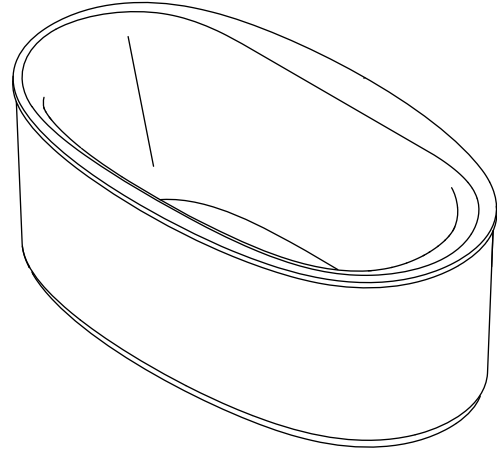


Features

- Acrylic
- Freestanding bath
- Two-piece design
- Contemporary straight apron
- Integral molded lumbar supports at both ends for comfort
- Center drain
- Textured bottom surface
- 66" (1672 mm) x 36" (914 mm) x 25-3/4" (654 mm)

FREESTANDING BATH WITH STRAIGHT APRON K-6368



Codes/Standards Applicable

Specified model meets or exceeds the following:

- CSA B45.5/IAPMO Z124

Colors/Finishes

- 0: White
- 96: Biscuit

Accessories

- CP: Polished Chrome
- Other: Refer to Price Book for additional colors/finishes

Specified Model

Model	Description	Colors/Finishes	
K-6368	Freestanding bath with straight apron	<input type="checkbox"/> 0	<input type="checkbox"/> 96
Recommended Accessories			
K-7265	Toe-tap bath drain - with brass tee and pipe OR	<input type="checkbox"/> CP	<input type="checkbox"/> Other_____
K-37385	PVC cable bath drain - less tee and pipe		<input type="checkbox"/> NA

Required Trim (for K-37385 Cable Bath Drain Only)			
K-T37391	Cable bath drain trim - Basic Rotary OR	<input type="checkbox"/> CP	<input type="checkbox"/> Other_____
K-T37392	Cable bath drain trim - Contemporary Rotary OR	<input type="checkbox"/> CP	<input type="checkbox"/> Other_____
K-T37393	Cable bath drain trim - Traditional Rotary OR	<input type="checkbox"/> CP	<input type="checkbox"/> Other_____
K-T37394	Cable bath drain trim - Victorian Rotary OR	<input type="checkbox"/> CP	<input type="checkbox"/> Other_____
K-T37395	Cable bath drain trim - Contemporary Push OR	<input type="checkbox"/> CP	<input type="checkbox"/> Other_____
K-T37396	Cable bath drain trim - Traditional Push OR	<input type="checkbox"/> CP	<input type="checkbox"/> Other_____
K-T37397	Cable bath drain trim - Victorian Push	<input type="checkbox"/> CP	<input type="checkbox"/> Other_____

Product Specification

The freestanding bath shall be made of acrylic. Bath shall be 66" (1672 mm) in length, 36" (914 mm) in width, and 25-3/4" (654 mm) in height. Bath shall be two-piece design and includes contemporary straight apron. Bath features integral molded lumbar supports at both ends for comfort. Bath shall have a center drain and features textured bottom surface. Freestanding bath shall be Kohler Model K-6368-_____.

SUNSTRUCK™

Technical Information

Fixture*:	
Bathing well:	
Basin area, bottom	24-3/4" (629 mm) x 45-1/4" (1149 mm)
Basin area, top	27-1/4" (692 mm) x 56" (1422 mm)
Weight	117 lbs (53.1 kg)
To overflow:	
Water depth	17" (432 mm)
Capacity	88 gal (333 L)
* Approximate measurements for comparison only.	

Installation Notes

Install this product according to the installation guide.



CAUTION: Risk of personal injury. Obtain sufficient help to carefully lift or move the bath.

This bath is designed for freestanding installation only.

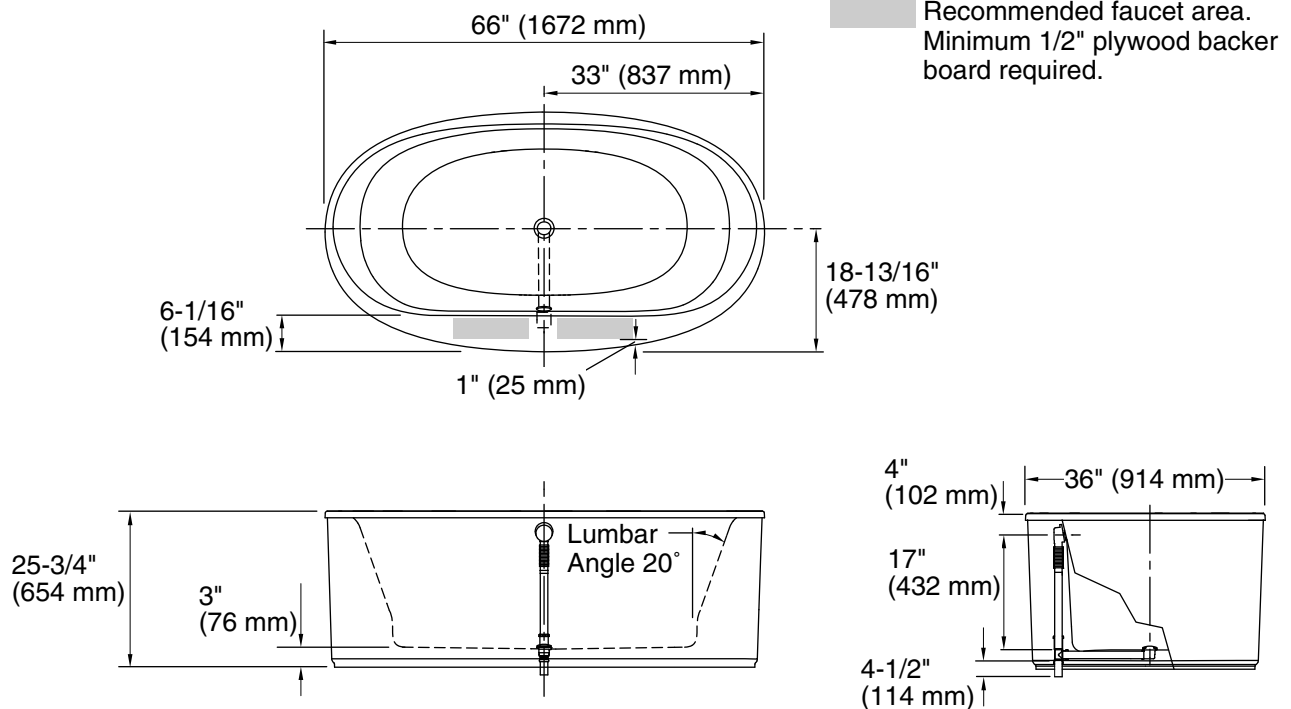
Do not support the load weight of the bath by the rim.

Floor support under bath must provide for a minimum of 80 lbs/square foot (390.6 kg/square meter) loading.

Hot water supply should be 70% of capacity or greater. Installations will vary.

If installing a rim-mount faucet, make sure there is no interference with the drain overflow before drilling any holes. Consult local and national codes for minimum air gap requirements if installing a spout on the faucet deck.

No change in measurements if connected with drain illustrated. (K-7265)



Product Diagram

SUNSTRUCK™ FREESTANDING BATH WITH STRAIGHT APRON

Page 2 of 2
1214187-4-D

THE BOLD LOOK
OF **KOHLER**®