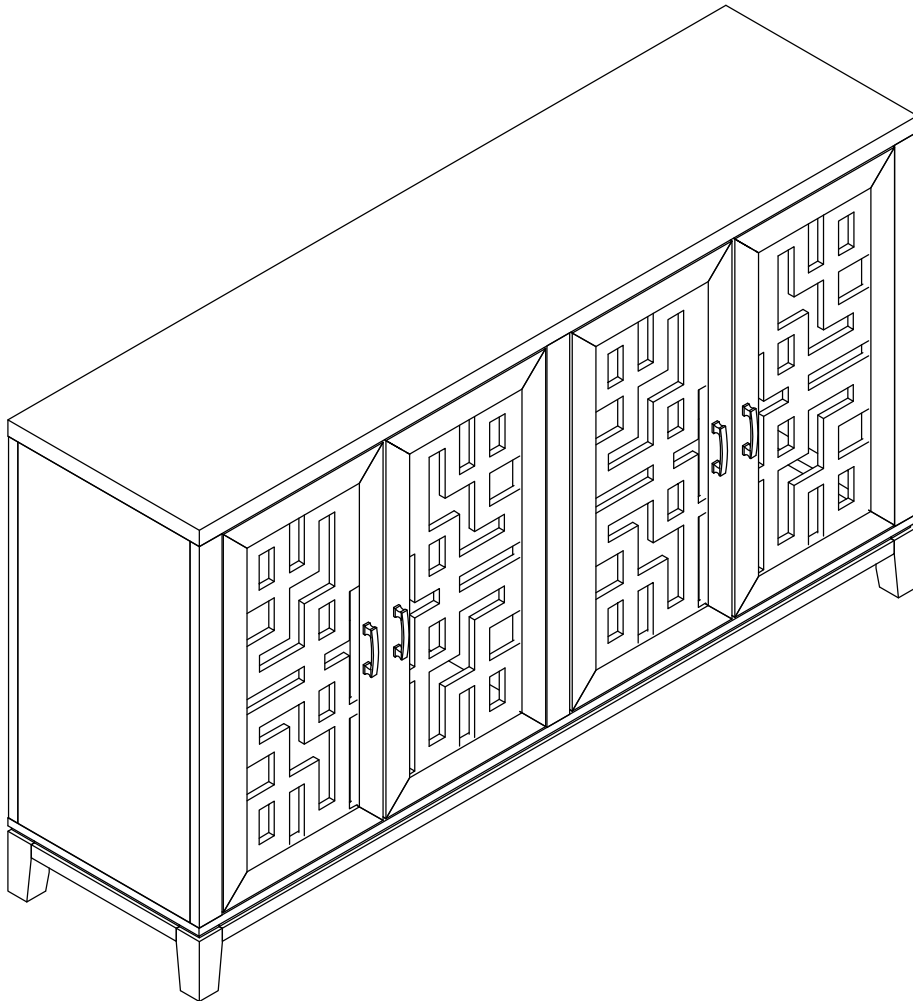


ASSEMBLY INSTRUCTIONS

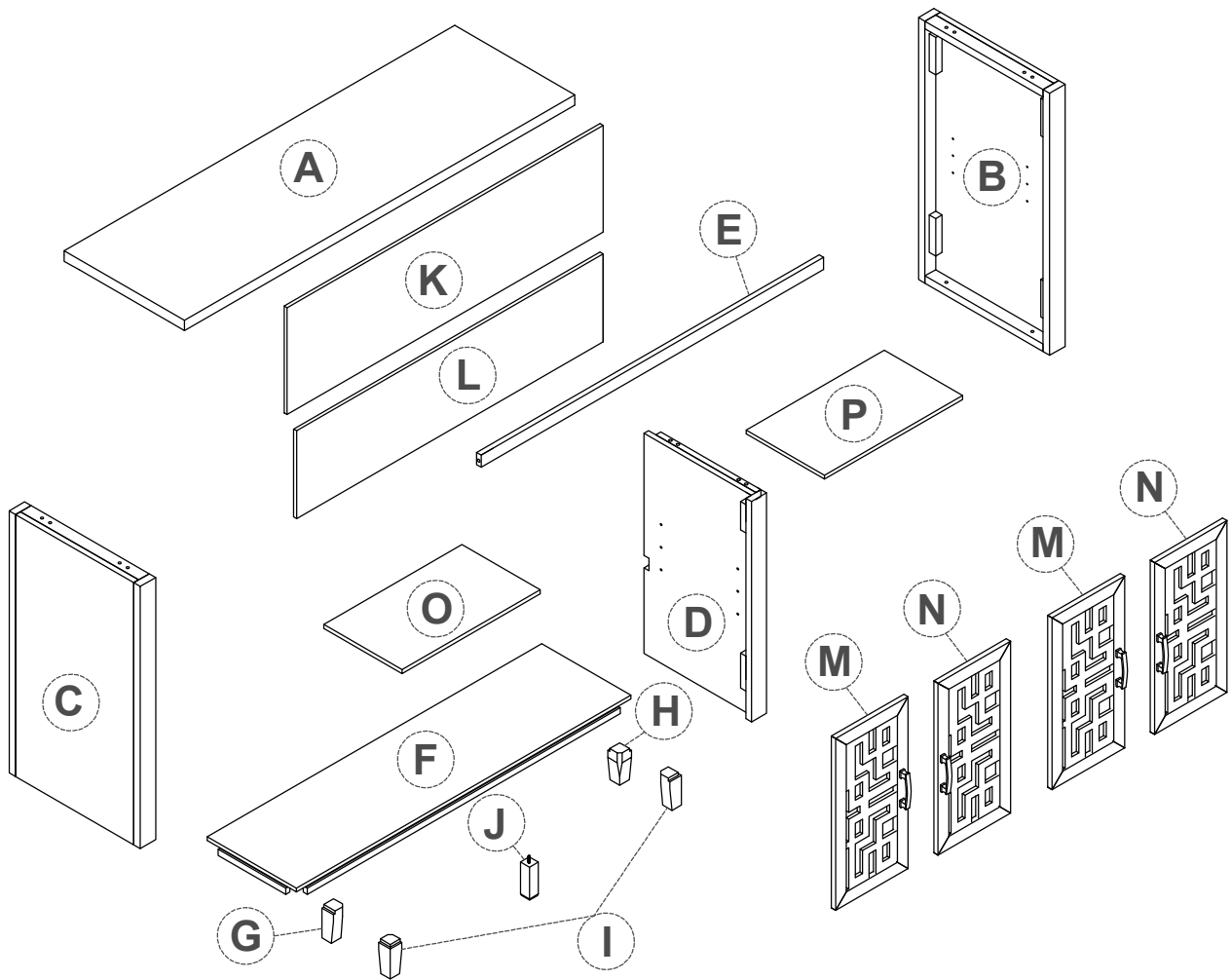
ITEM NOTE : WF 313199

SIDEBOARD




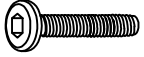











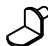





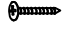
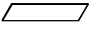
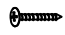
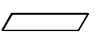







IMPORTANT NOTE:

- ① PLACE ALL PARTS ON A CLEAN AND SMOOTH SURFACE SUCH AS A RUG OR CARPET TO AVOID THE PARTS FROM BEING SCRATCHED.
- ② BEFORE YOU BEGIN, KINDLY FOLLOW THE ASSEMBLY INSTRUCTIONS STEP BY STEP.
- ③ DO NOT TIGHTEN ALL SCREWS AND BOLTS UNTIL THE SIDEBOARD IS FULLY SET-UP



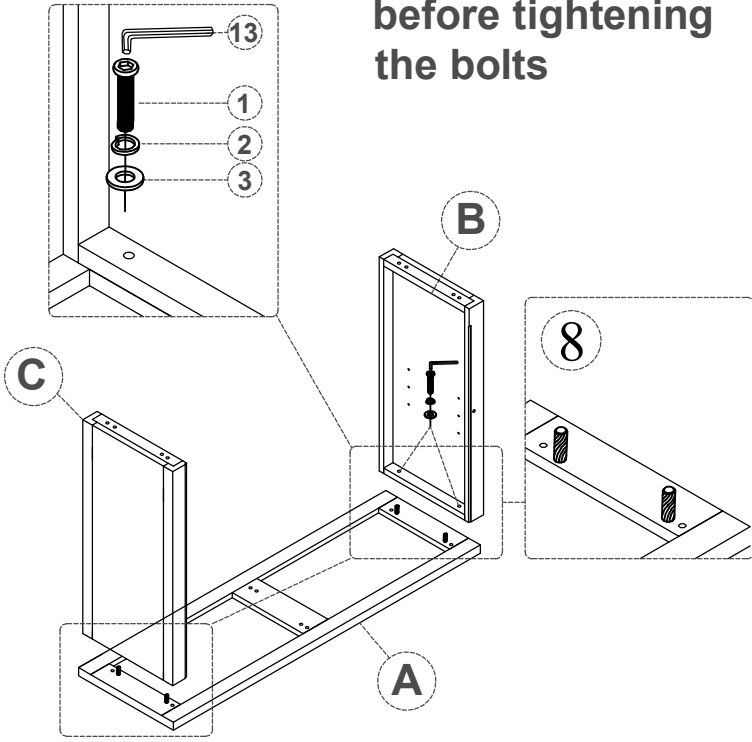
Part List For One

Hardware List For One

No	Parts Desc.	Q'ty	No	Hardware Desc.	Q'ty
A	TOP PANEL 	1pcs	1	Bolts 1/4" x 35mm 	12 pcs
B	RIGHT PANEL 	1pcs	2	Spring Washer 1/4" x 11mm x 1.5mm 	16 pcs
C	LEFT PANEL 	1pcs	3	Flat Washer 1/4"* 16mm x 1.5mm 	16 pcs
D	BETWEEN PANEL 	1pcs	4	Bolts 1/4" x 50mm 	4 pcs
E	REAR TIE ROD 	1pcs	5	Handle 	4 pcs
F	BOTTOM 	1pcs	6	Bolts 5/32"* 30mm 	8pcs
G	LEFT LEG 	1pcs	7	Shelf pin 	8pcs
H	RIGHT LEG 	1pcs	8	Wooden Pegs 8 x 30mm 	12 pcs
I	FRONT LEG 	2pcs	9	Umbrella Screw 4 x 25mm 	1 pcs
J	MIDDLE LEG 	1pcs	10	SCREW 4 x 38mm (Flat head screw) 	2 pcs
K	BACK PANEL 	1pcs	11	SCREW 4 x 15mm (Umbrella head screw) 	56 pcs
L	BACK PANEL 	1pcs	12	SCREW 4 x 15mm (Flat head screw) 	16 pcs
M	LEFT DOOR 	2pcs	13	Allen key 	1 pcs
N	RIGHT DOOR 	2pcs	14	Door Hinge 	8 pcs
O	LEFT SHELF 	1pcs			
P	RIGHT SHELF 	1pcs			

STEP 1

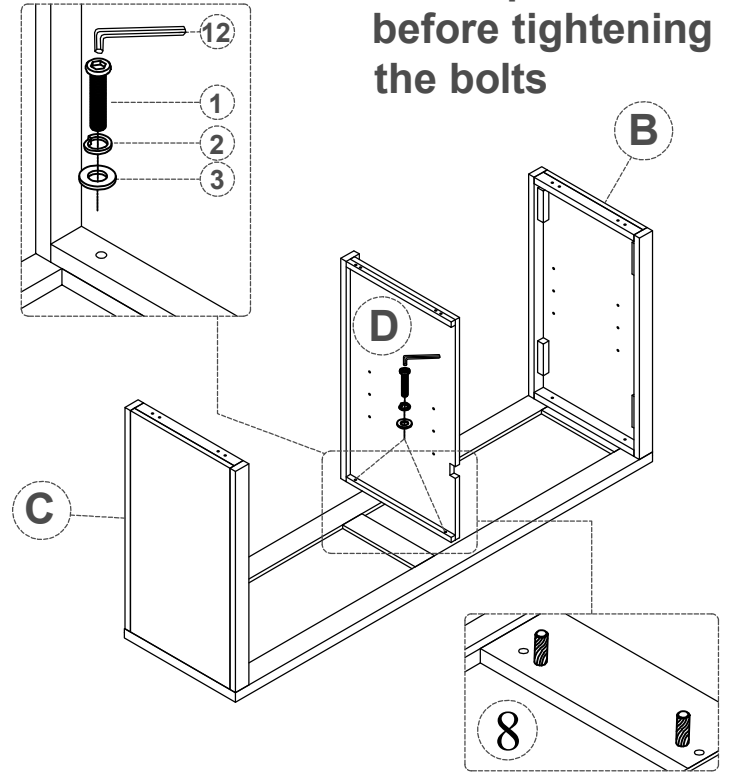
Please assemble all the parts before tightening the bolts



Bolts 1/4 x 35mm ① x 4	Spring Washer 1/4" x 11mm x 1.5mm ② x 4	Flat Washer 1/4" 16mm x 1.5mm ③ x 4	Wooden Pegs ⑧ x 4	Allen Key ⑬ x 1
---	--	--	---------------------------------	-------------------------------

STEP 2

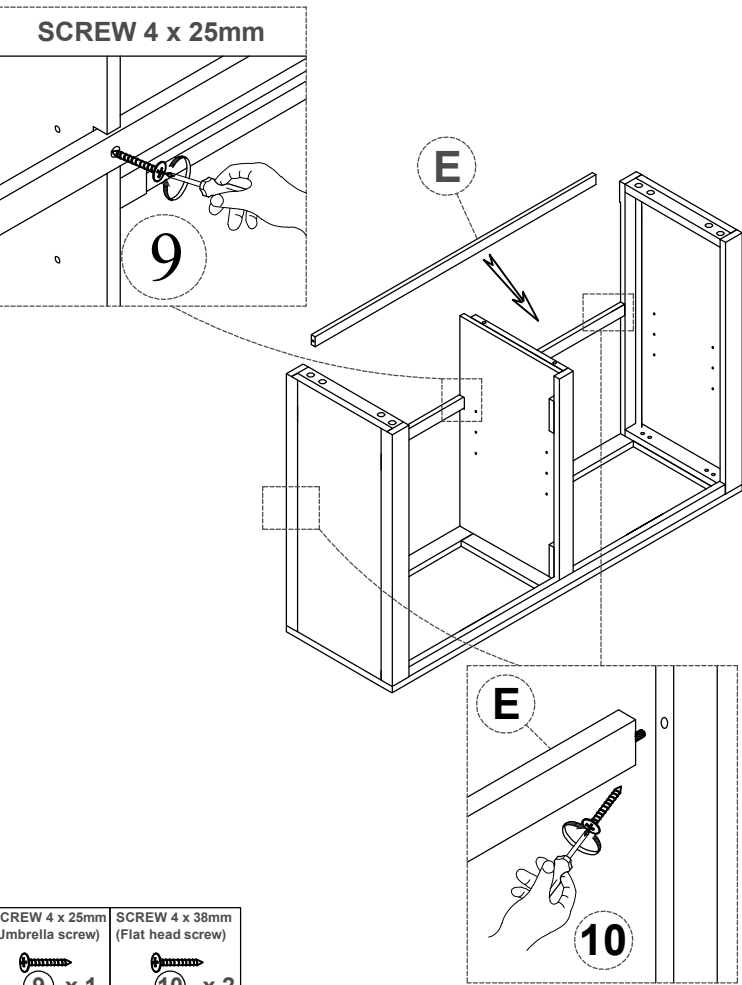
Please assemble all the parts before tightening the bolts



Bolts 1/4 x 35mm ① x 2	Spring Washer 1/4" x 11mm x 1.5mm ② x 2	Flat Washer 1/4" 16mm x 1.5mm ③ x 2	Wooden Pegs ⑧ x 2	Allen Key ⑬ x 1
---	--	--	---------------------------------	-------------------------------

STEP 3

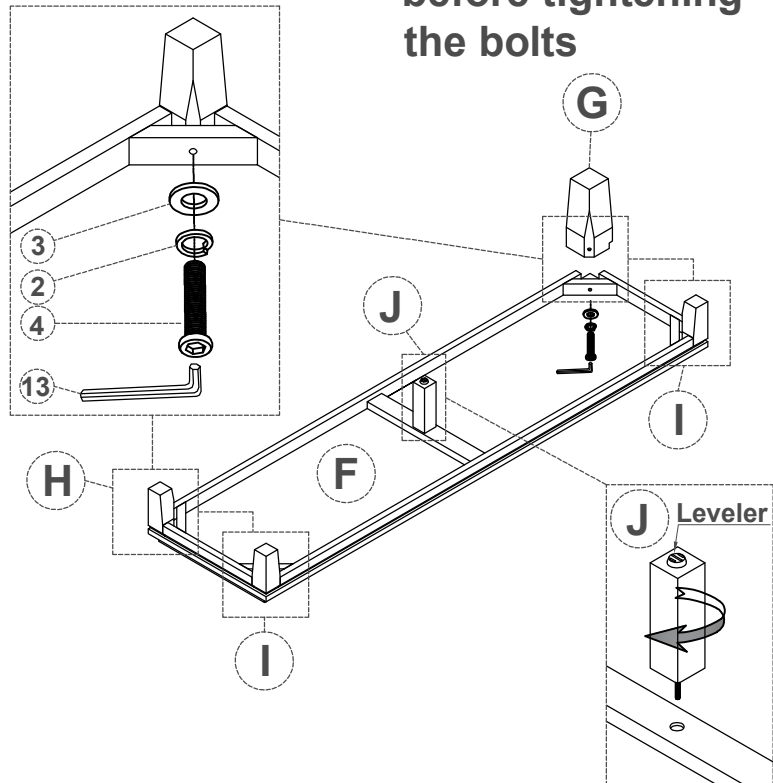
SCREW 4 x 25mm



SCREW 4 x 25mm (Umbrella screw) ⑨ x 1	SCREW 4 x 38mm (Flat head screw) ⑩ x 2
--	---

STEP 4

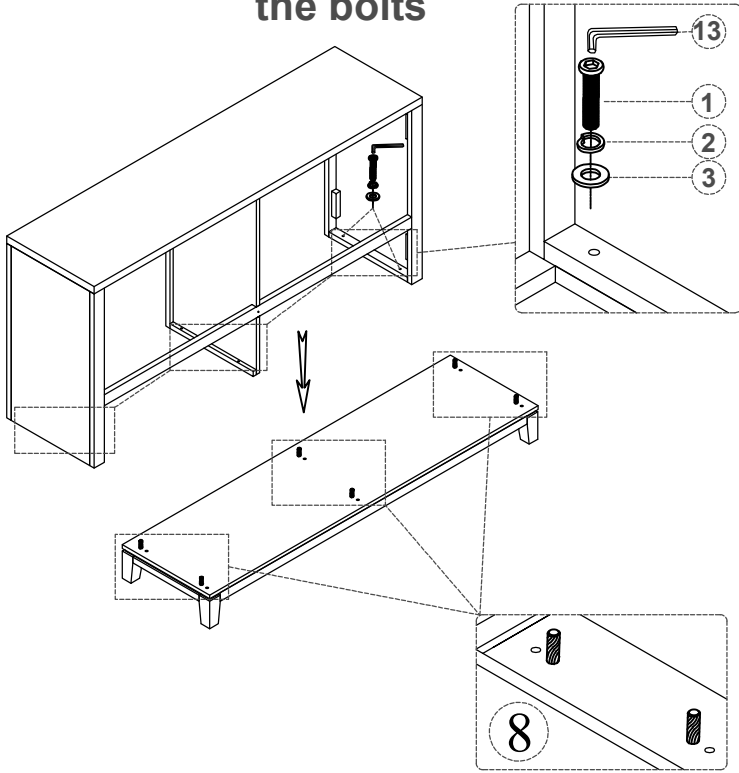
Please assemble all the parts before tightening the bolts



Bolts 1/4 x 50mm ④ x 4	Spring Washer 1/4" x 11mm x 1.5mm ② x 4	Flat Washer 1/4" 16mm x 1.5mm ③ x 4	Allen Key ⑬ x 1
---	--	--	-------------------------------

STEP 5

Please assemble all the parts before tightening the bolts



Bolts
1/4 x 35mm



① x 6

Spring Washer
1/4" x 11mm x 1.5mm



② x 6

Flat Washer
1/4" x 16mm x 1.5mm



③ x 6

Wooden Pegs



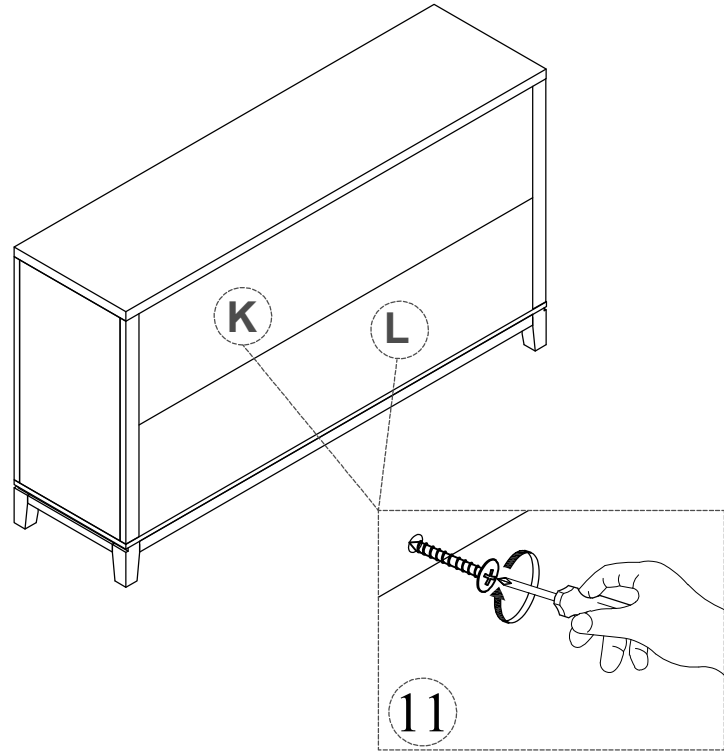
⑧ x 6

Allen Key



⑬ x 1

STEP 6

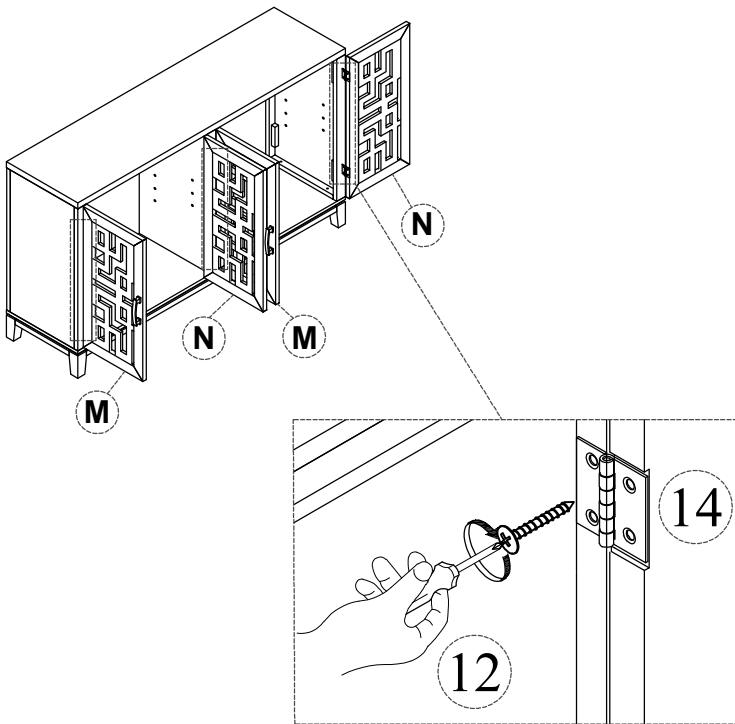


SCREW 4 x 15mm (Umbrella head screw)



⑪ x 56

STEP 7



SCREW 4 x 15mm (Umbrella head screw)



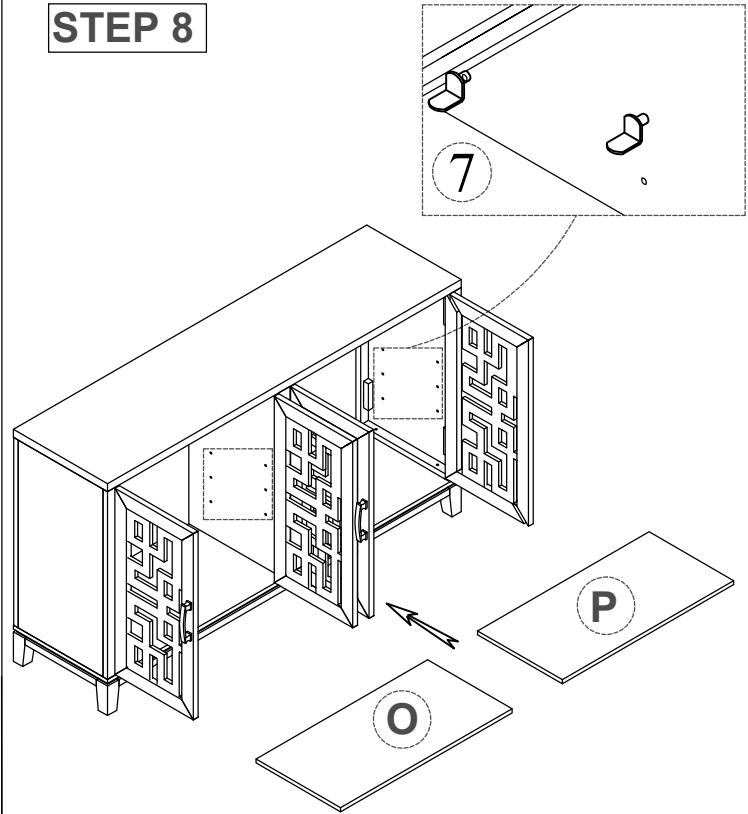
⑫ x 16

Door Hinge



⑭ x 8

STEP 8

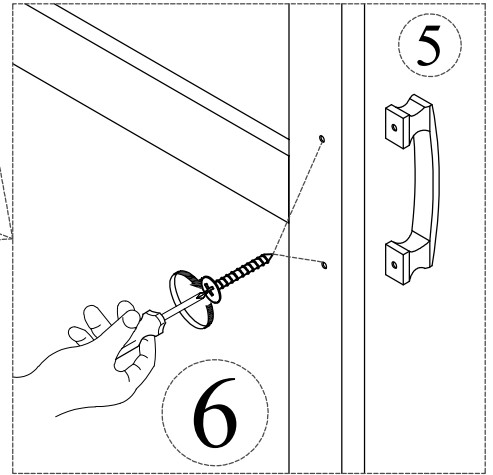
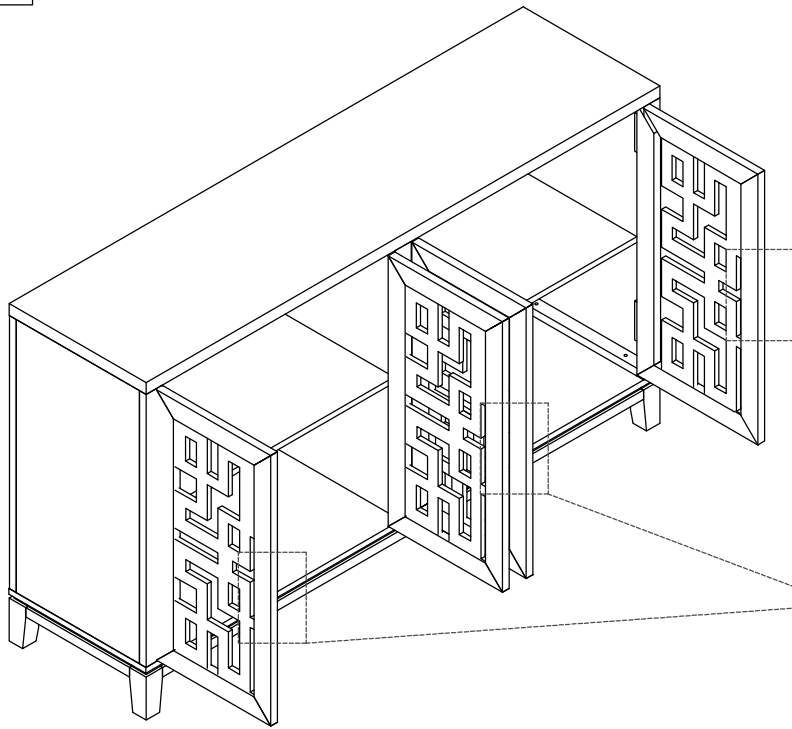


Shelf pin



⑦ x 8

STEP 9



Handle



⑤ x 4

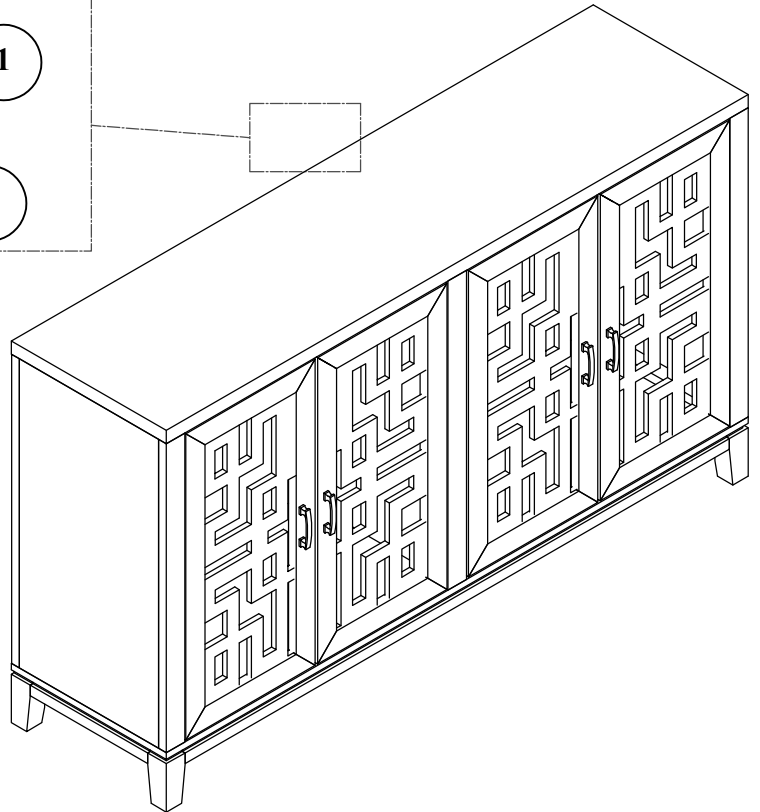
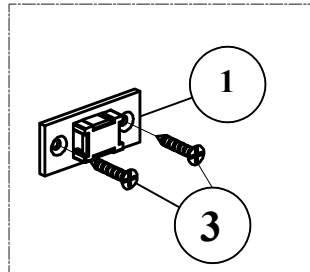
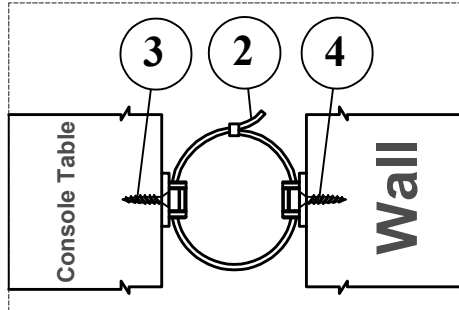
Bolts

5/32" x 30mm







⑥ x 8

STEP 10



Anti-Tip Hardware

No	Description	Q'ty
1	BRACKET 	2 pcs
2	PLASTIC STRAP 	1 pcs
3	SHORT SCREW 4 x 20mm 	2 pcs
4	LONG SCREW 4 x 30mm 	2 pcs