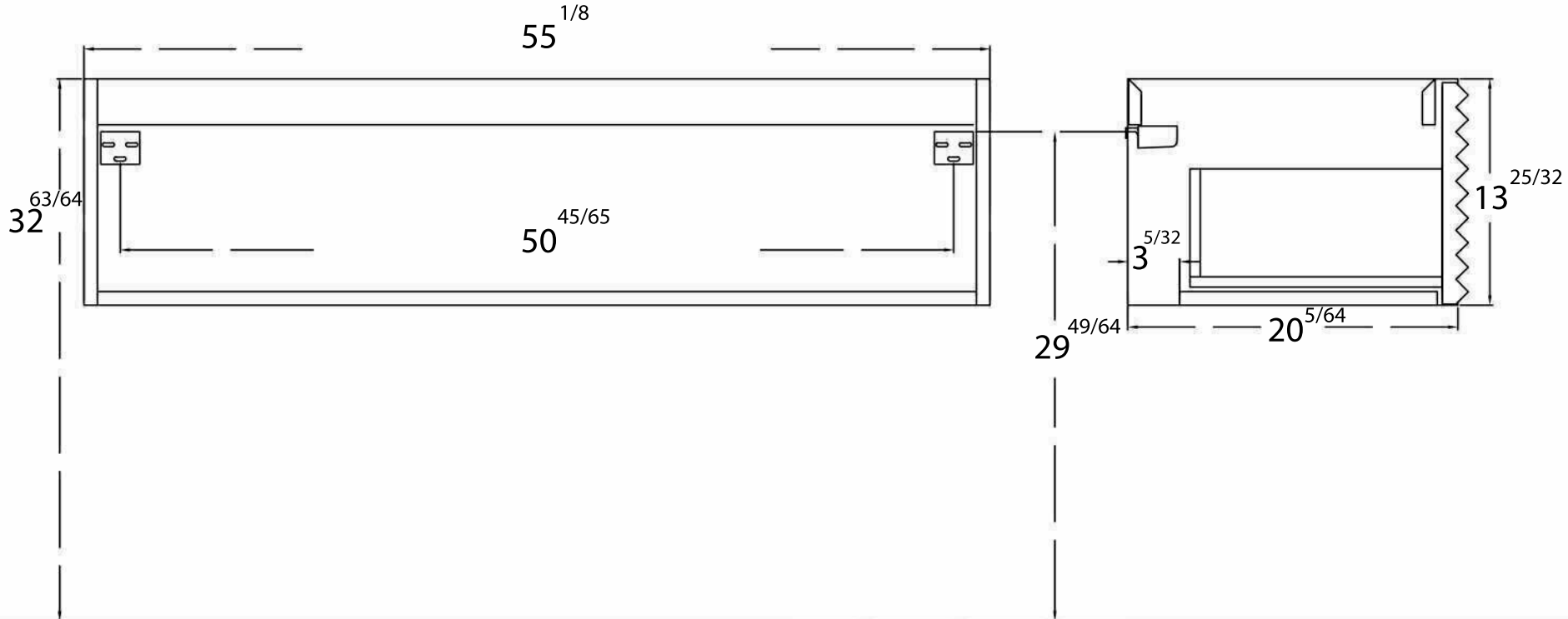


TOP VIEW

Tolerance $\pm 5/64$

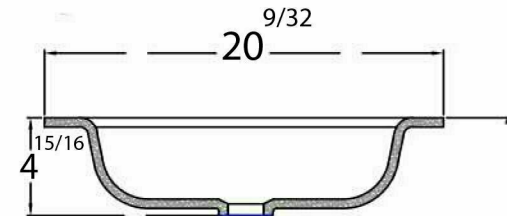
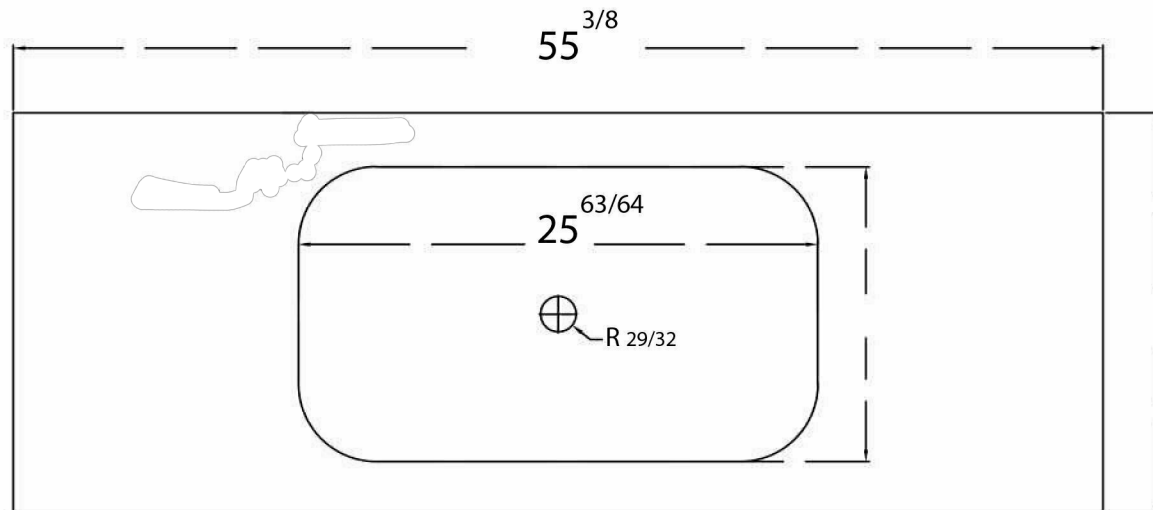
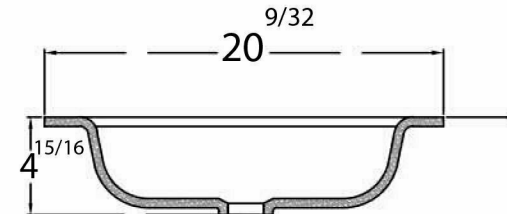
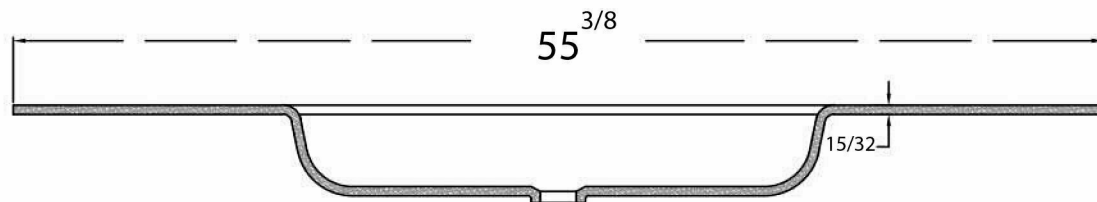
MATERIAL		FINISH	DIMENSIONS		PIECE
AMERICAN OAK		l	$55^{1/8} \times 20^{5/64} \times 13^{25/32}$		OAHU INSTALLATION
DESIGN	DATE	UNITS	PAGE	PAGES	SERIES
.	June 2023	Inches	2	2	OAHU EVVN126-55OAK

Wall Fixings



Tolerance $\pm 5/64$

FINISH	DIMENSIONS		PIECE
	$55^{1/8} \times 20^{5/64} \times 13^{25/32}$		OAHU INSTALLATION
UNITS	PAGE	PAGES	SERIES
Inches	1	2	OAHU EVVN126-55OAK



Tolerance $\pm 5/64$

MATERIAL		FINISH	DIMENSIONS		PIECE
Solid Surface		Solid Surface	$55 \frac{3}{8} \times 20 \frac{9}{32} \times 15/32$		PATRA CENTRED BASIN
DESIGN	DATE	UNITS	PAGE	PAGES	SERIES
	June 2023	Inches	1	1	PATRA EVVN126-55OAK(BASIN)