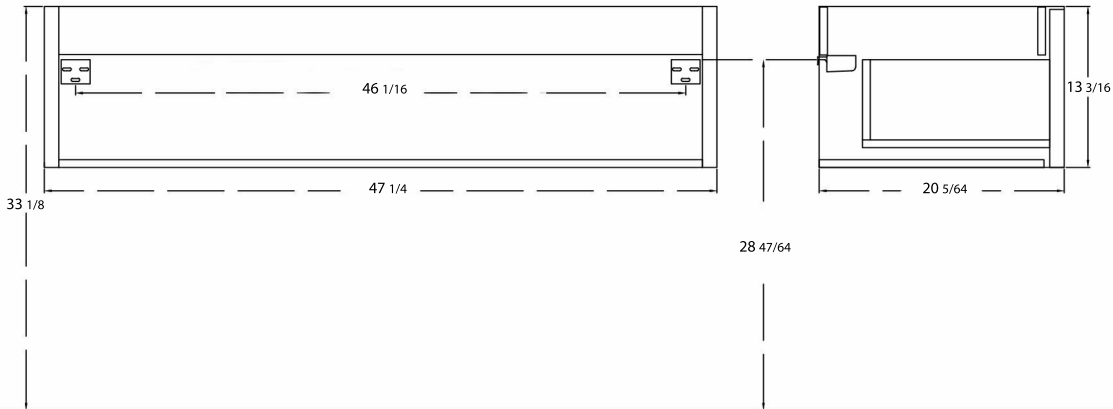
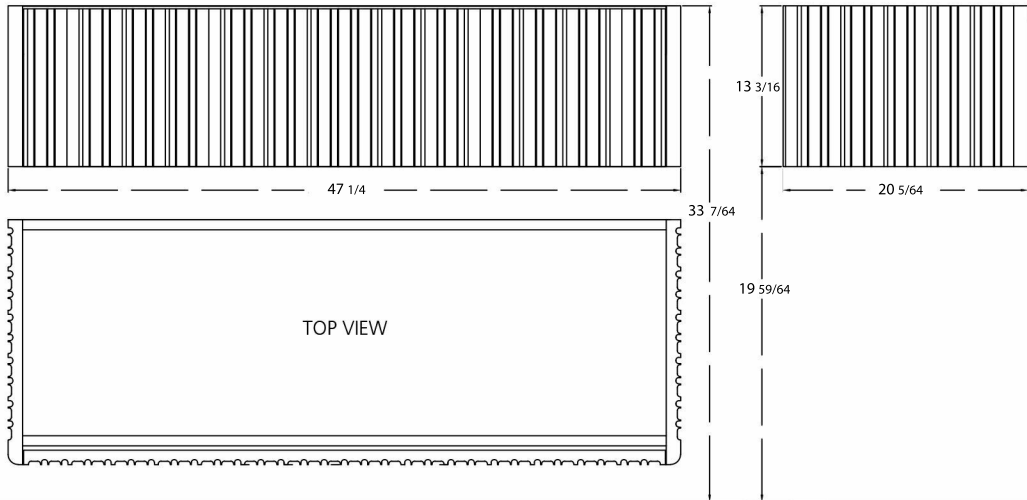


Wall Fixings



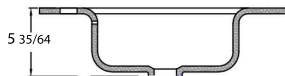
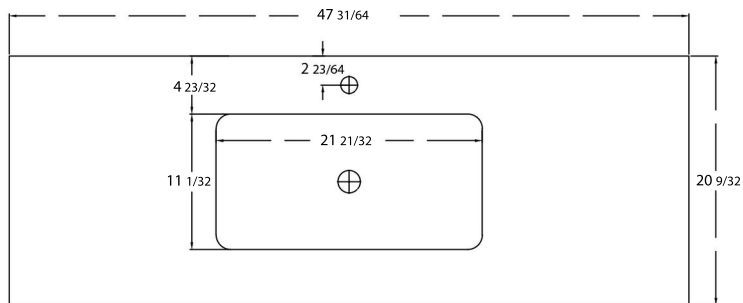
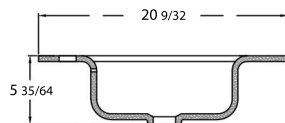
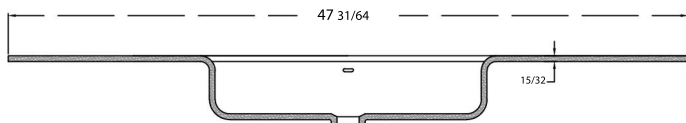
Tolerance $\pm 5/64$

SERIES
BERT



Tolerance $\pm \frac{5}{64}$

SERIES
BERT



Tolerance $\pm 5/64$