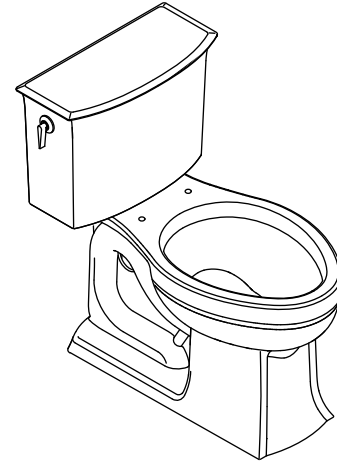


COMFORT HEIGHT® TOILET K-3551

Features

- Vitreous china
- Elongated bowl
- AquaPiston® flushing system
- Less seat and supply
- 12" (305 mm) rough-in
- 1.28 gpf (4.8 lpf)
- 2-1/8" (54 mm) glazed trapway
- 11-1/2" (292 mm) x 8-1/2" (216 mm) water area
- 29" (737 mm) x 17-7/8" (454 mm) x 30" (762 mm)



Codes/Standards Applicable

Specified model meets or exceeds the following:

- ADA
- ASME A112.19.2/CSA B45.1
- ICC/ANSI A117.1
- EPA WaterSense®

Colors/Finishes

- 0: White
- CP: Polished Chrome
- PB: Vibrant® Polished Brass
- Other: Refer to Price Book for additional colors/finishes

Specified Model

Model	Description	Trip Lever	Colors/Finishes	
K-3551	Comfort Height toilet	left-hand	<input type="checkbox"/> 0	<input type="checkbox"/> Other_____
Recommended Accessories				
K-4664	Brevia™ seat with cover	<input type="checkbox"/> 0		<input type="checkbox"/> Other_____
K-7637	Angle supply with stop - 3/8" NPT		<input type="checkbox"/> CP	<input type="checkbox"/> PB <input type="checkbox"/> Other_____
Optional Accessories				
K-4650	Lustra™ elongated open-front toilet seat – for ADA compliance	<input type="checkbox"/> 0		<input type="checkbox"/> Other_____
K-11069	Left-hand trip lever (non-CP finish)		<input type="checkbox"/> PB	<input type="checkbox"/> Other_____

Product Specification

The elongated bowl toilet shall be made of vitreous china. Toilet shall be 29" (737 mm) in length, 17-7/8" (454 mm) in width, and 30" (762 mm) in height with an 11-1/2" (292 mm) by 8-1/2" (216 mm) water area. Toilet shall be 12" (305 mm) rough-in, and 2-1/8" (54 mm) glazed trapway. Toilet shall be 1.28 gpf (4.8 lpf) with AquaPiston flushing system. Toilet shall be less seat and supply. Elongated bowl toilet shall be Kohler Model K-3551-_____.

ARCHER™

Technical Information

Fixture:	
Configuration	two-piece, elongated
Flow rate	1.28 gpf (4.8 lpf)
Passageway	2-1/8" (54 mm)
Water area	11-1/2" (292 mm) x 8-1/2" (216 mm)
Water depth from rim	6-1/4" (159 mm)
Seat post hole centers	5-1/2" (140 mm)

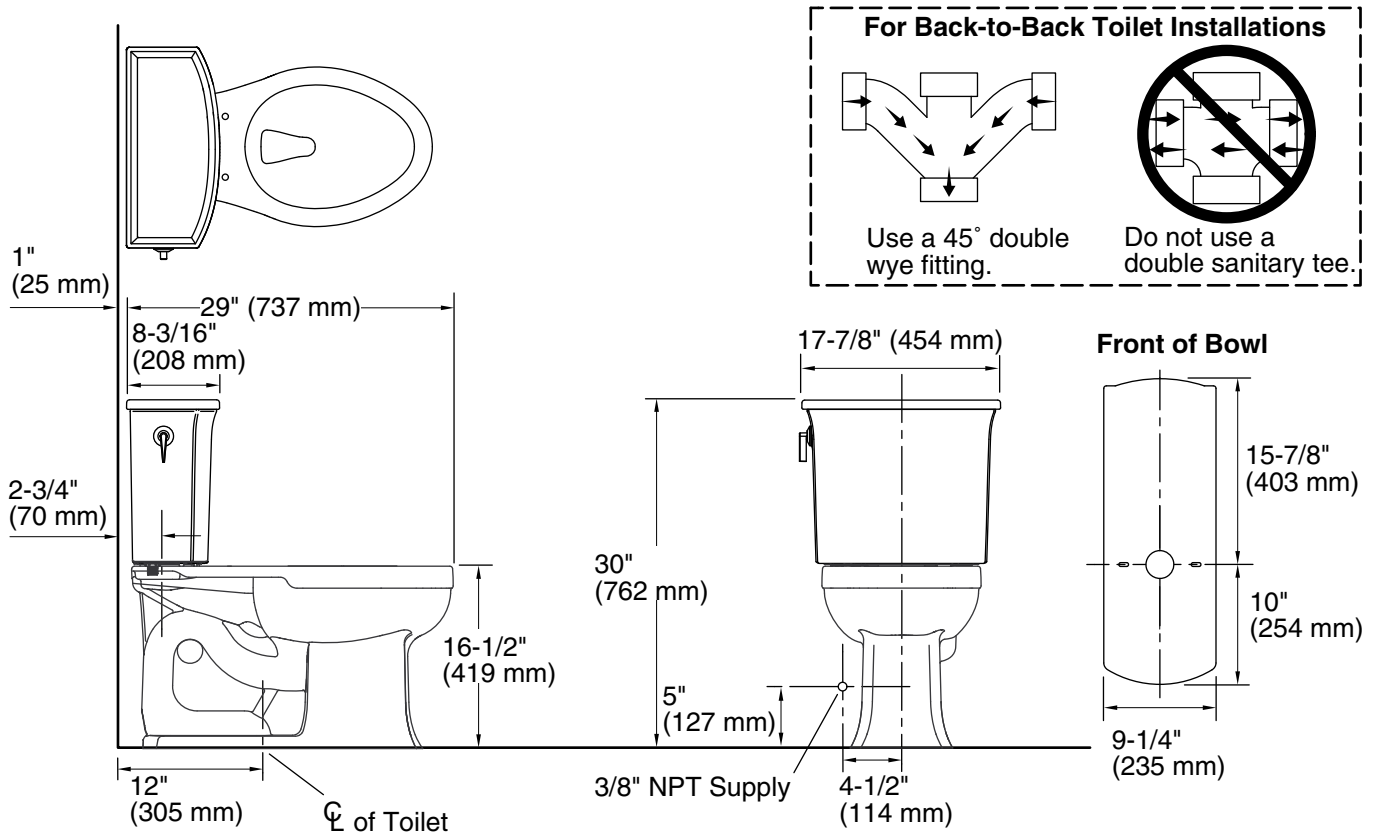
Included components:	
Bowl	K-4356
Tank cover	1046467
Trip lever	1067186
Tank	K-4431
Tank accessory pack	1016548
Bolt cap accessory pack	1013092

Installation Notes

Install this product according to the installation guide.

For back-to-back toilet installations: Use only a 45° double wye fitting.

Will comply with the Americans with Disabilities Act (**ADA**) when installed per the requirements of the 2010 ADA Standards for Accessible Design, Section 604 Water Closets, of the Act. The Model Plumbing Codes require the installation of elongated open-front toilet seats in public bathrooms.



Product Diagram