

### Features

- Single-lever handle is simple to use and makes adjusting water temperature easy.
- One-piece, self-contained ceramic disc valve allows both volume and temperature control.
- KOHLER ceramic disc valves exceed industry longevity standards for a lifetime of durable performance.
- 1.2 gpm (4.5 lpm) maximum flow rate at 60 psi (4.14 bar).
- Box includes: Assembled faucet, supply lines, escutcheon plate, clicker drain.

### Material

- Premium material construction for durability and reliability.
- Spot Repel™ finish resists fingerprints, smudges, and water spots (Brushed Nickel and Matte Black finishes only).

### Installation

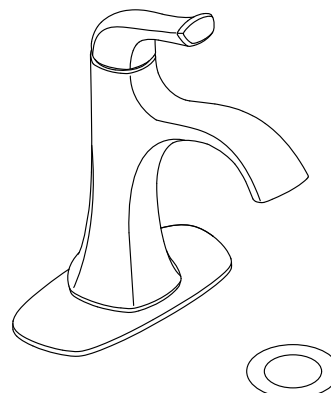
- For single-hole or 4" (102 mm) centers.
- Simplified faucet assembly; mounting hardware requires no special tools.

### Recommended Products/Accessories

K-23726 Drain treatment  
K-23723 Faucet cleaner

### Included Components

Additional Components:  
Clicker drain  
Escutcheon plate  
Supply lines



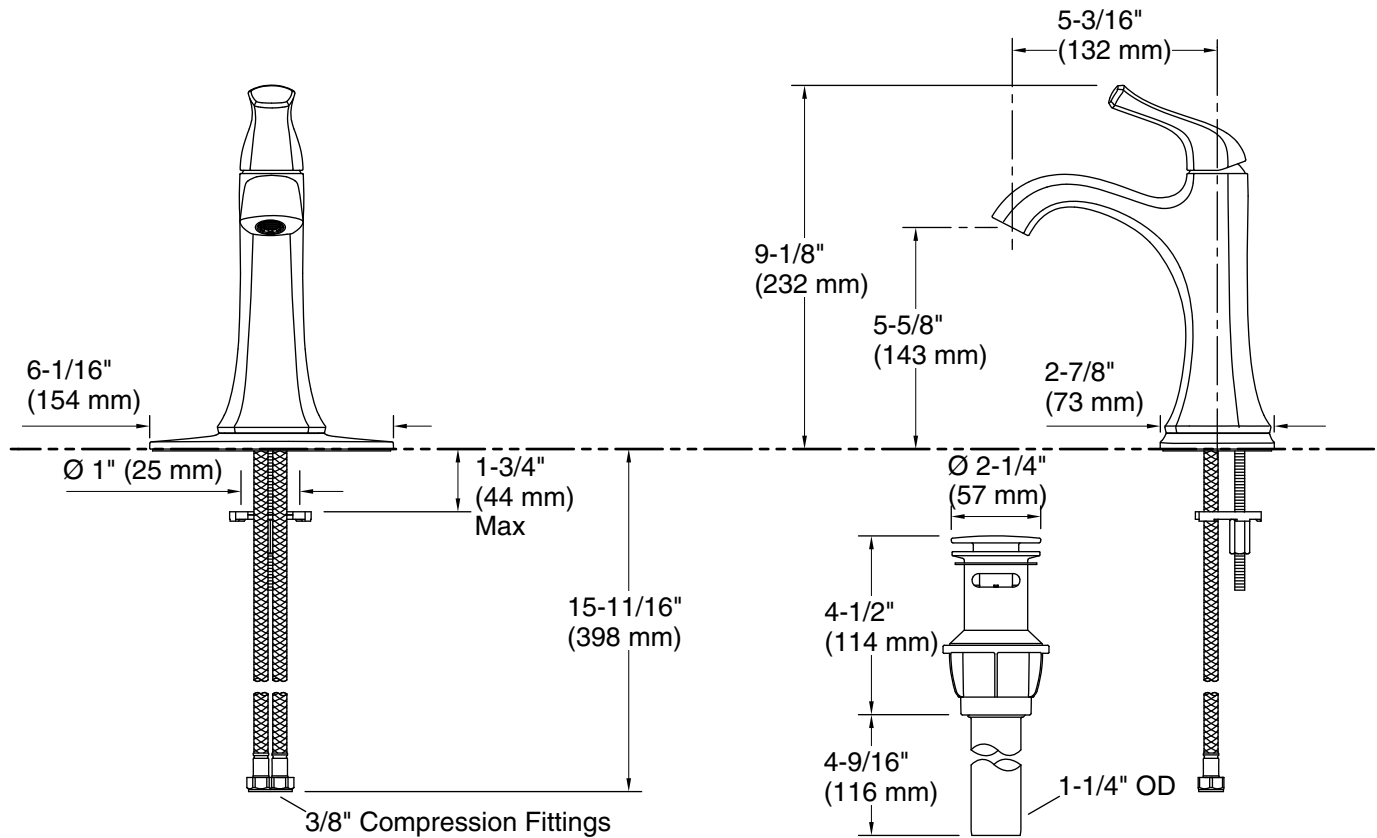
ADA CSA B651 OBC

### Codes/Standards

ASME A112.18.1/CSA B125.1  
NSF/ANSI 61  
NSF/ANSI 372  
All applicable US Federal and State material regulations  
DOE - Energy Policy Act 1992  
EPA WaterSense®  
California Energy Commission (CEC)  
ADA  
ICC/ANSI A117.1  
CSA B651  
OBC

### KOHLER® Faucet Lifetime Limited Warranty

See website for detailed warranty information.



### Technical Information

All product dimensions are nominal.

#### Faucet:

Flow rate: 1.2 gal/min (4.5 l/min)

Pressure: 60 psi (4.1 bar)

Drain included: Yes

Drain with overflow: Yes

#### Spout:

Spout reach: 5-13/16" (148 mm)

### Notes

Install this product according to the installation instructions.

ADA, OBC, CSA B651 compliant when installed to the specific requirements of these regulations.