

## **TCG-3025-WC**

**White Laundry Cabinet with Eng.Stone Top & Undermount  
SS Sink High ARC Stainless Steel Faucet**

# Table of Contents

Table of Contents .....	2	Drawer Handle Installation .....	8
Safety Information .....	2	Drawer removal and Replacment .....	9
Warranty .....	3	Mounting the Sink .....	9
Pre-Installation .....	4	Placement .....	10
Tools/Materials Required .....	4	<b>Maintenance .....</b>	<b>10</b>
Package Contents .....	5	<b>Care and Cleaning .....</b>	<b>11</b>
<b>Installation .....</b>	<b>6</b>	Utility Sink .....	11
Faucet Assembly/Installation .....	6	Cabinet .....	11
Strainer Installation .....	7		
Cabinet Feet Installation .....	8		

## Safety Information

### READ AND SAVE THESE INSTRUCTIONS

1. Inspect your unit before proceeding. Once you unpack your unit, check for chips, scratches, cracks, dents or scuff marks. If any damage is noticed, do not install.
2. Use this unit only in the manner intended by the manufacturer. If you have any questions, contact the manufacturer.
3. Installation work and plumbing must be done by qualified person(s) in accordance with all applicable codes and standards.
4. Protect the entire surface during installation.
5. All holes drilled into the unit must be done from the finished surface side with extreme care and caulked very carefully to form a watertight barrier.



**DANGER:** Always wear safety goggles and gloves in order to avoid personal injury.

# Warranty

## TRANSOLID® LIMITED LIFETIME WARRANTY

All TRANSOLID® Laundry cabinet feature a LIMITED LIFETIME WARRANTY to be free of all manufacturing defects under normal use.  
LIMITED CABINET WARRANTY

Transolid® will replace without charge, (excluding labor & transportation costs) any stainless steel sink or fireclay sink supplied by Transolid® that is proven to be defective, with an equivalent replacement, within the specific appropriate period from date of purchase, to the original owner, provided it has been used solely in a residential application and installed in accordance with the Transolid® installation instructions, used and cleaned as recommended, and not damaged due to abuse, misuse, or negligence. For installed warranty concerns, please contact Transolid® directly for further information and proper documentation. In the event of a warranty claim, the owner will be required to provide proof of purchase in the form of sales receipt.

This warranty will not cover any damages which might be caused by the product. (Some states do not allow such limitation, so this reference may not apply to you.)

Transolid® reserves the right to inspect any sink reported to be defective prior to replacement of the sink. All decisions are final. Replacement cost EXCLUDES transportation and any labor costs for the removal or reinstallation.

Stainless steel is virtually carefree, but yet it can be dented, scratched and harmed by certain chemicals. Simple cleaning techniques and use of stainless grids can keep your sink looking great everyday.

Transolid® shall not be liable in case of:

- Improper installation/modification
- Damages resulting from abuse, such as heavy impact or dropped objects
- Improper care or maintenance
- Improper applications (such as exposure to corrosive chemicals, photographic solutions, etc.)
- Any modifications made to the product after it left Transolid® premises
- Commercial application
- Scratches - Due to use

### CABINET ACCESSORIES

Transolid® carries a 1 YEAR LIMITED WARRANTY ON ALL SINK ACCESSORIES to be free of all manufacturing defects under normal use. These warranties supersede all other warranties, expressed or implied.

The foregoing warranties are exclusive and made only to the buyer. No other warranty, whether express, implied, or statutory, including any warranty of merchantability or fitness for a particular purpose shall be deemed to exist in connection with any of the goods or services supplied hereunder, and any implied warranties for a period greater than the warranty period contained in Transolid's limited warranty are hereby excluded. Transolid® shall not be liable for any indirect, incidental, special or consequential damages in any way related to the goods or services supplied hereunder. No employee, agent, or other person is authorized to give any warranties on behalf of Transolid in addition to or different from the herein given to assume for Transolid any other liability in connection with any of its products except if in writing is signed by an officer of Transolid and expressly and intentionally gives such warranties or assumes such liability.

### LEGAL DISCLAIMER

All technical data and information provided in this publication is done as a public service to customers of Transolid® and consumers of our products. All names, designs, and model numbers of products are trademarks of Transolid®. Prices and specifications of Transolid's products are subject to change without notice or obligation, Transolid® may also change or discontinue models of its products without notice or obligation. While Transolid® endeavors to provide you with accurate information and descriptions of its products, accuracy and completeness cannot be guaranteed. Transolid® is not responsible for, nor does it have any liability for any mistakes or typographical errors, including liability for incidental, consequential, or special damages. All products should be inspected and measured promptly upon delivery and certainly before any improvements or alterations are done in anticipation of or preparation for installation. Transolid® assumes no liability for the use of such information or for any damages incurred through its use or application.

Nothing contained in this publication is to be construed as contractual or providing any form of warranty or representation on the part of Transolid®.

**TRANSOLID® MAKES NO WARRANTIES, EXPRESS OR IMPLIED, INCLUDING BUT NOT LIMITED TO ANY WARRANTY OF MERCHANTABILITY OR OF FITNESS FOR A PARTICULAR PURPOSE, AS TO THE INFORMATION CONTAINED HEREIN OR THE PRODUCTS DESCRIBED HEREIN.**

# Pre-Installation

## TOOLS/MATERIALS REQUIRED (NOT SUPPLIED)



Adjustable wrench



Needle nose pliers



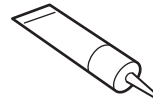
Phillips screwdriver



Utility knife



Pipe wrench



Sealant



Carpenter's level



Hacksaw



Safety gloves



Safety goggles

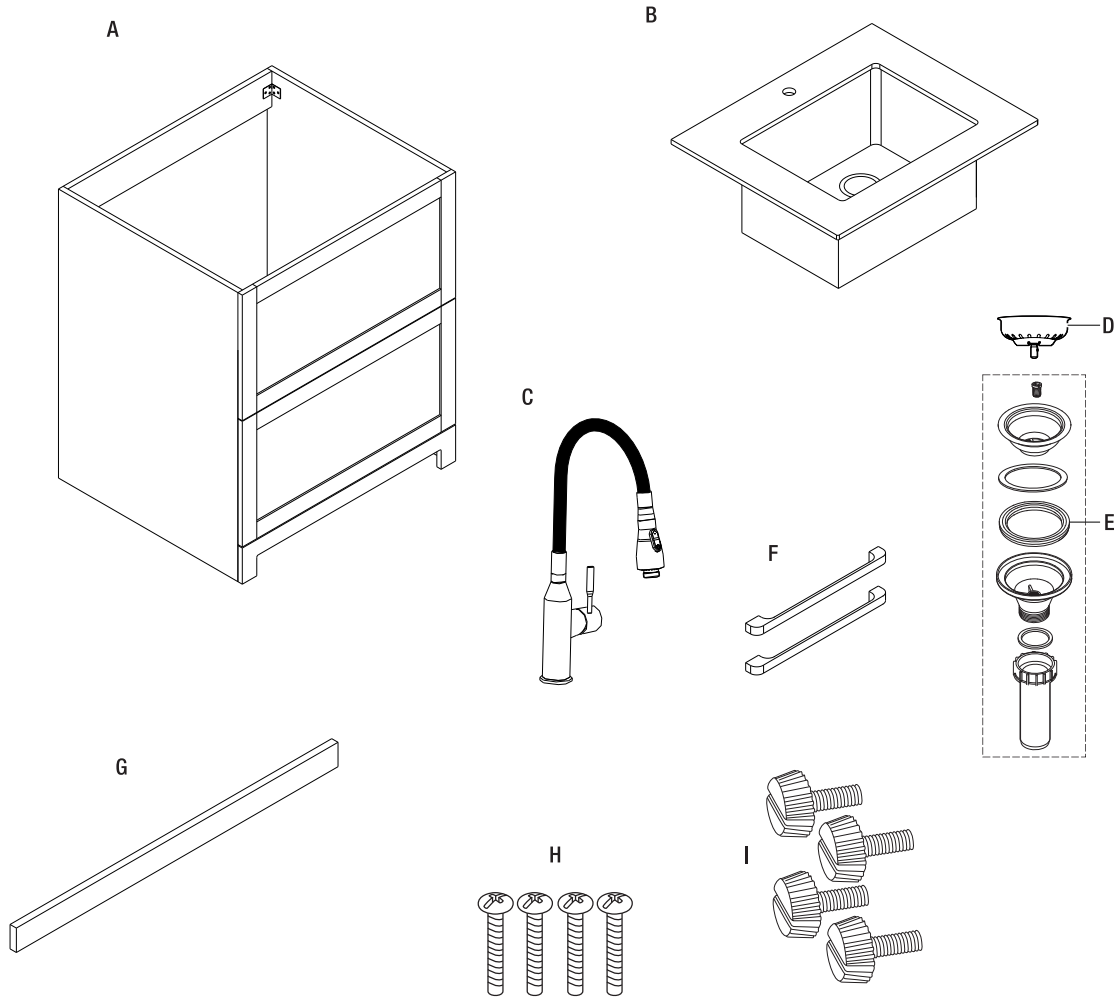
## PARTS REQUIRED (NOT SUPPLIED)



P-Trap

# Pre-Installation (continued)

## PACKAGE CONTENTS

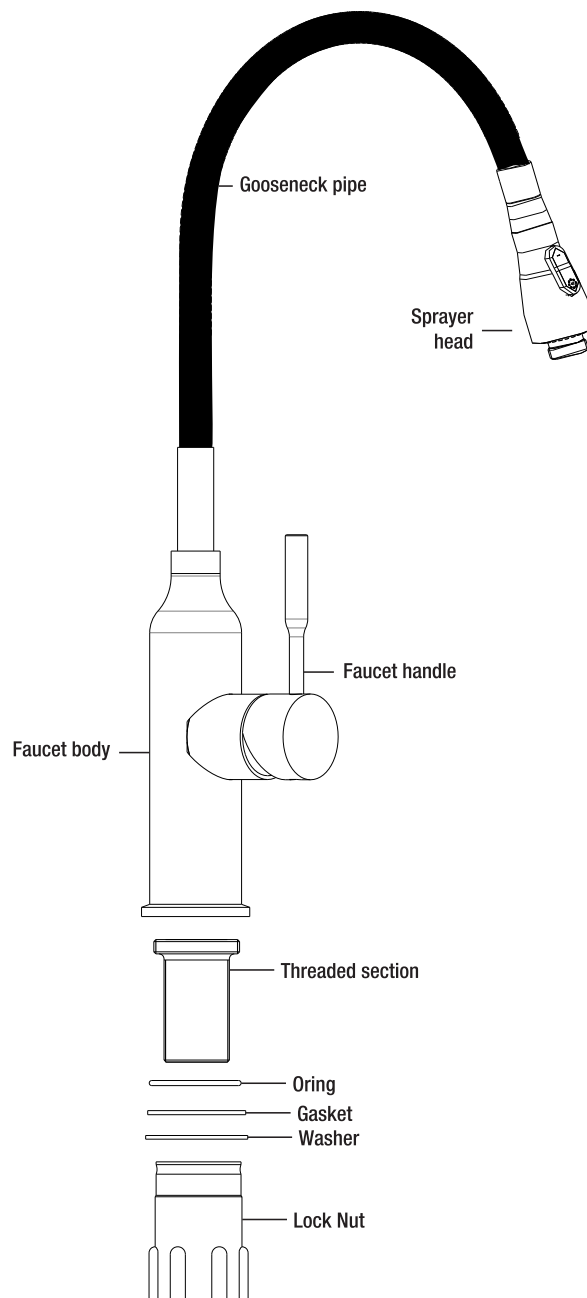


Part	Description	Quantity
A	Cabinet	1
B	Utility Sink	1
C	Faucet	1
D	Strainer Basket	1
E	Strainer Assembly	1
F	Door Handles	2
G	Stone back splash	1
H	Door Handle Screws	4
I	Cabinet Adjustable Feet	4

# Installation

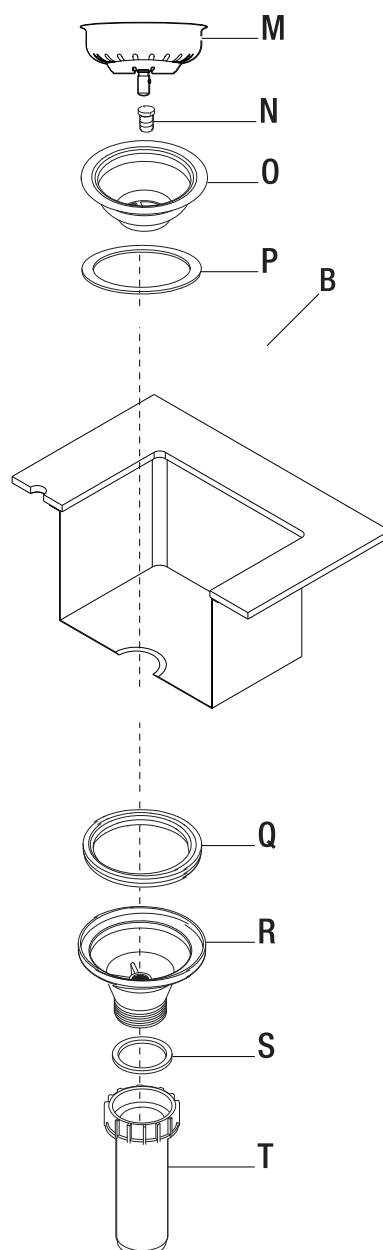
## FAUCET ASSEMBLY/INSTALLATION

1. Carefully take out all the parts of the faucet assembly (C). The faucet is pre-assembled.
2. Install the threaded section onto the faucet body.
3. Place the faucet body and the oring carefully through the hole in the sink (B). A second person may be required to hold the body in place until the faucet installation is complete.
4. From underneath, install the washer, gasket and lock nut to the exposed threaded section of the faucet. Tighten the lock nut by hand until it is snug.



## STRAINER INSTALLATION

1. Place the gasket (P) on top of the other drain hole in the sink (B), followed by the strainer bowl (O).
2. From underneath the sink (B), position the double lip seal (Q) with grooves facing up on the drain holes, followed by the waste bowl (R).
3. From the top of the drain hole, screw the screw (N) into the waste bowl (R).
4. Position the gasket (S) at the base of the waste bowl (R) and screw the fitting (T) to the base of the waste bowl (R).
5. Insert the assembled basket (M) into the strainer bowl (O).



# Installation (continued)

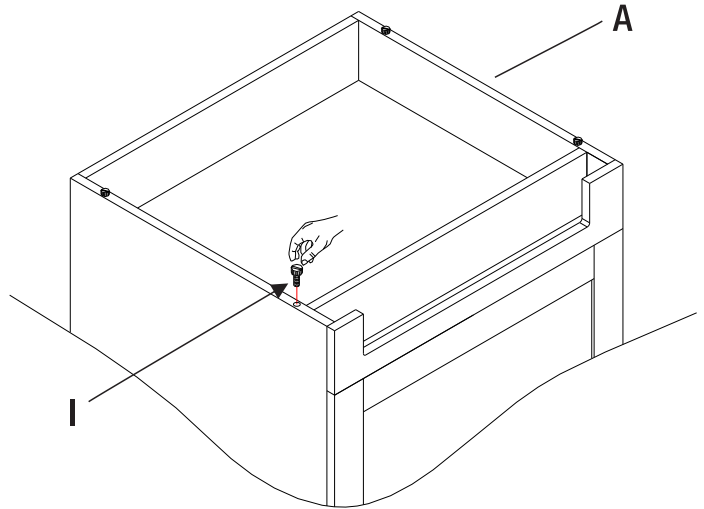
## CABINET FEET INSTALLATION

A thorough inspection must be made before installation and any damages or missing parts must be promptly reported. Do not proceed with the installation. Do not dispose of packaging before you are satisfied with your new utility sink.



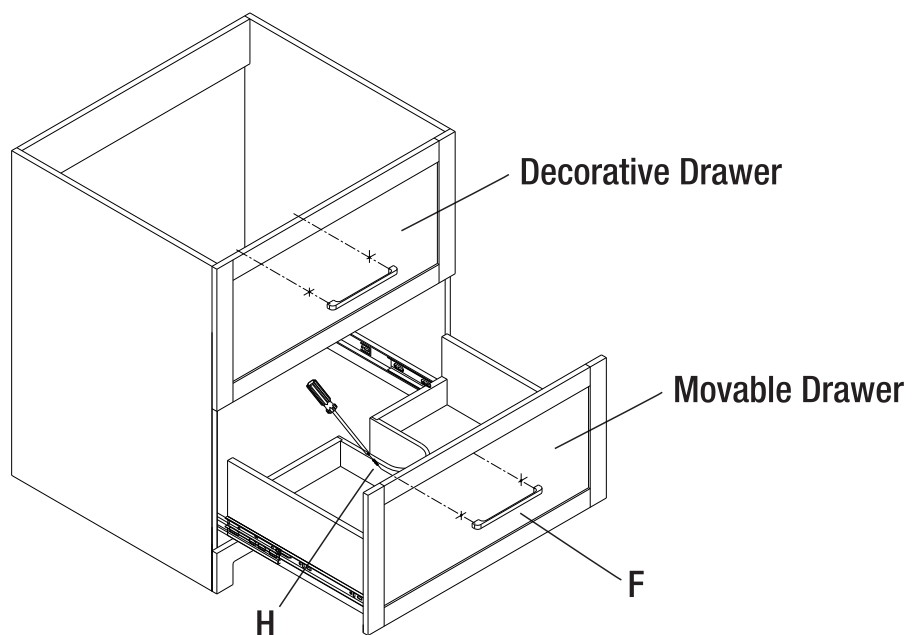
**CAUTION:** Do not place side load onto feet when righting the cabinet.

1. Unpack the unit and place the sink (B) on a blanket or cardboard to protect the surface.
2. Turn the cabinet (A) upside down onto the protective surface.
3. Attach cabinet feet (I) to the base.
4. Gently place the cabinet upright.



## DRAWER HANDLE INSTALLATION

1. Insert the drawer hand screws (H) into the pre-drilled holes on each door.
2. Attach the drawer handles (F) and hand tighten the drawer handle screws (H).
3. Repeat on other drawer .



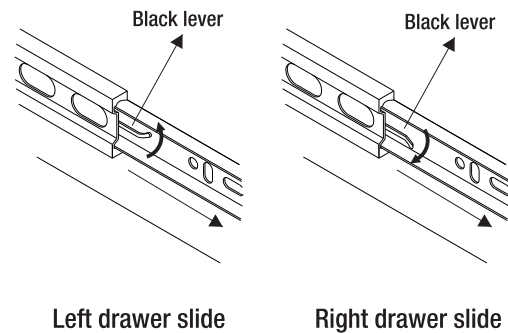


## Installation (continued)

### DRAWER REMOVAL AND REPLACEMENT

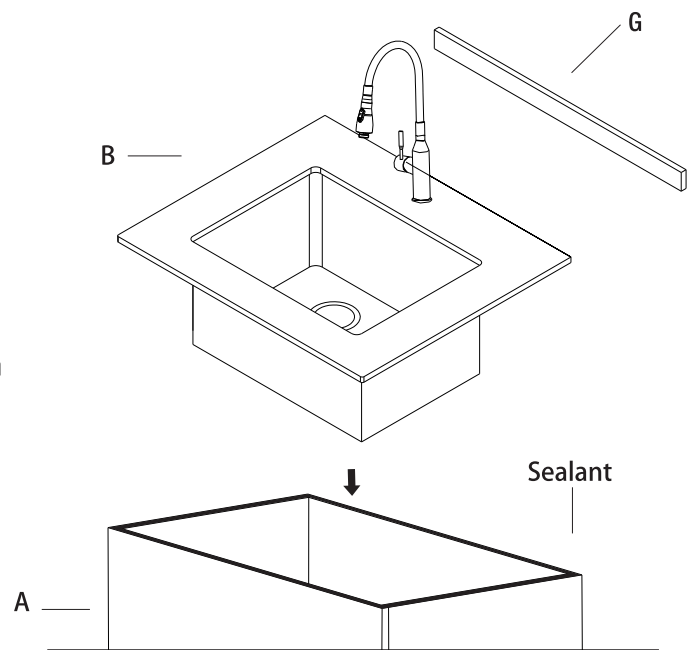
1. To remove the drawer, pull it out to its fullest extension. On each of the drawer slides there is a black lever. Push the lever on the left slide up and the lever on the right slide down. The drawer should now slide away from the cabinet.

2. Reverse this procedure to replace the drawer.



### MOUNTING THE SINK

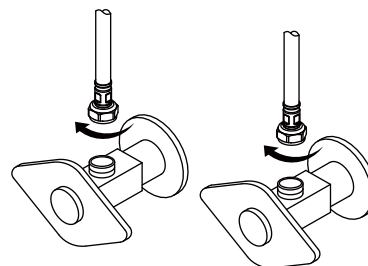
1. Carefully place a bead of sealant all around the top of the cabinet (A).
2. Ease the sink (B) into the cabinet (A), ensuring that it is placed evenly and is centered on the cabinet. Wipe off any excess sealant. Use masking tape to hold the sink in place until the sealant dries.
3. Carefully place a bead of sealant all around the bottom of the stone back splash (G). Ensuring that it is placed evenly and is on the edge of the cabinet. Wipe off any excess sealant, use masking tape to hold the stone back splash (G) in place until the sealant dries.



## Installation (continued)

### PLACEMENT

Move the assembled unit to its final location. Final hook up of the supply lines and drain system can now be completed.



## Maintenance

Problem	Possible Cause	Possible Cause
There are leaks underneath the handle.	The screw nut has come loose and the o-ring on the cartridge is dirty or damaged.	<input type="checkbox"/> Tighten the screw nut. Clean or replace the cartridge or o-ring.
The aerator leaks or has an inconsistent water flow pattern.	The aerator is dirty or misfitted. The cartridge may be clogged.	<input type="checkbox"/> Remove the aerator and check for debris in the aerator screens.  <input type="checkbox"/> Remove the cartridge and check for debris.  <input type="checkbox"/> Ensure the aerator is properly installed.
There are leaks from the hose underneath the deck.	The supply hose and outlet hose connection may be loose.	<input type="checkbox"/> Tighten the connection of the hoses.
The water pressure is low.	The connector underneath the deck is clogged with debris. The aerator is clogged.	<input type="checkbox"/> Turn off the water supply and disconnect the connector / aerator.  <input type="checkbox"/> Unscrew the connector / aerator and clean under running water.  <input type="checkbox"/> Screw the connector / aerator back.  <input type="checkbox"/> Test water flow. If water pressure is still low then replace the connector / aerator.
There is no hot or cold water.	The water supply hose was accidentally kinked during installation and is limiting the water flow through.	<input type="checkbox"/> Reinstall the water supply hose.

# Care and Cleaning

## UTILITY SINK

Your sink is manufactured with the highest grade stainless steel and will provide you many years of enjoyment with the proper care.

### Do

- After use, always rinse your sink with tap water to dilute and remove deposits.
- Towel dry after use whenever possible to prevent water spots. Should water spots occur, clean with a mild solution of vinegar and water followed by a thorough rinse.
- Use liquid soap, a general household cleaner, or a weak solution of vinegar and water for regular cleaning.
- Only use plastic scouring pads recommended for use in stainless steel sinks, and only use them in the bowl of the sink. Scrub in the direction of the satin finish lines.

### Do not

- Do not allow any food, detergent, soap or grease to dry or sit for extended periods of time on the surface of the sink.
- Never use abrasive cleaning products, as they will dull and scratch the finish.
- Do not use scouring pads on the deck, as they will dull the mirror finish.
- Never use steel wool pads, as they will leave iron particles on the sink, which will cause corrosion.
- Never leave steel or cast iron pans in your sink for extended periods of time, as this can cause corrosion.

## CABINET

To maintain the surface of your cabinet, follow these tips.

### Do

- Remove dust and dry dirt with a soft, damp cloth.
- Clean grease, oil, paint and ink stains with isopropyl (rubbing alcohol). Immediately rinse with water after stain removal.

### Do not

- Do not allow your cabinet surface to come into contact with products such as acetone (nail polish remover), nail polish, dry cleaning solution, lacquer thinners, gasoline, pine oil, etc.
- Use caution when using sharp instruments that may fall and scratch the surface.