

TRADITIONAL ROUND

**RAIN SHOWERHEAD
K-13692
ALSO K-13693, K-13694**

Features

- Single function Rain showerhead
- MasterClean™ spray nozzles to prohibit mineral build-up for easy cleaning
- Katalyst™ Spray Technology with air induction ball joint (patent pending)
- Optimized spray face for maximum performance
- Solid brass construction
- 2.5 gallon (9.5 L) per minute flow rate
- 1/2" - 14 NPT connection



Codes/Standards Applicable

Specified model meets or exceeds the following:

- ASME A112.18.1/CSA B125.1

Colors/Finishes

- CP: Polished Chrome
- Other: Refer to Price Book for additional colors/finishes

Accessories

- CP: Polished Chrome
- Other: Refer to Price Book for additional colors/finishes

Specified Model

Model	Description	Size	Nozzles	Colors/Finishes	
K-13692	Rain showerhead	8-7/16" (21.4 cm)	78	<input type="checkbox"/> CP	<input type="checkbox"/> Other____
K-13693	Rain showerhead	10-7/16" (26.5 cm)	78	<input type="checkbox"/> CP	<input type="checkbox"/> Other____
K-13694	Rain showerhead	12-7/16" (31.6 cm)	102	<input type="checkbox"/> CP	<input type="checkbox"/> Other____

Optional Accessories					
K-7392	12" (30.5 cm) straight ceiling-mount shower arm and flange			<input type="checkbox"/> CP	<input type="checkbox"/> Other____
K-7394	6" (15.2 cm) straight ceiling-mount shower arm and flange			<input type="checkbox"/> CP	<input type="checkbox"/> Other____
K-7396	3" (7.6 cm) straight ceiling-mount shower arm and flange			<input type="checkbox"/> CP	<input type="checkbox"/> Other____
K-10124	Right-angle shower arm and flange			<input type="checkbox"/> CP	<input type="checkbox"/> Other____

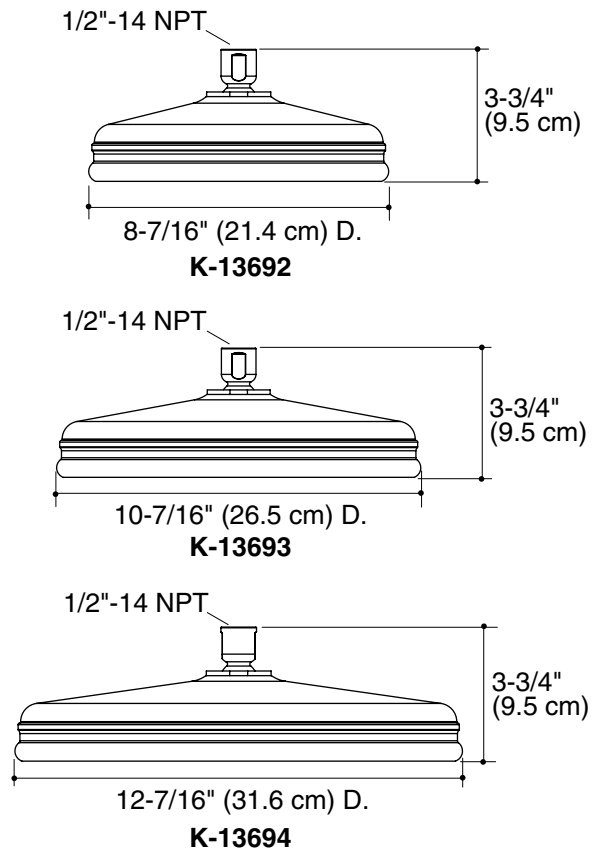
Product Specification

The single function rain showerhead shall be made of solid brass construction with MasterClean™ spray nozzles to prohibit mineral build up for easy cleaning. Showerhead shall have Katalyst™ spray technology with air induction ball joint (patent pending) and optimized spray face for maximum performance. Showerhead shall have a flow rate of 2.5 gallons (9 L) per minute. Showerhead shall have a 1/2"-14 NPT connection. Showerhead shall be Kohler Model K-13692-____, K-13693-____ or K-13694-____.

TRADITIONAL ROUND

Installation Notes

Install this product according to the installation guide.



Product Diagram