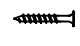






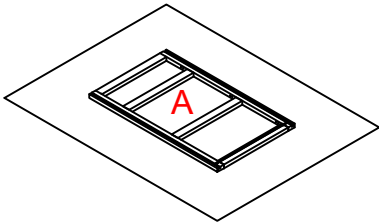


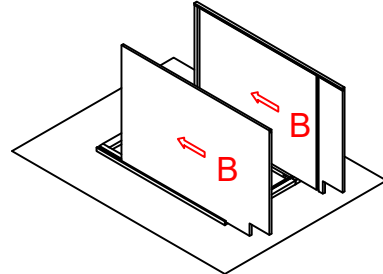
Base Cabinet Assembly Instruction (Item:CVD12-3/CVD15-3)

Hard Ware List	1 8PCS Ø4×25mm Flat head screw	5 40PCS Ø4×12mm Flat head screw	6 10PCS Corner brackets	8 3SET Slide	9 6PCS prop	10 3SET slide lock	11 12PCS Bumper
							
Cabinet Parts List	A Frame	B Side panels(2)	C Bottom panel	D Back panel	E Toe kick	H Drawer front(3)	
	I Drawer front panel (3)	J Drawer back panel (3)	K Drawer side panel(6)	L Drawer bottom panel (3)	O panel beam(2)		

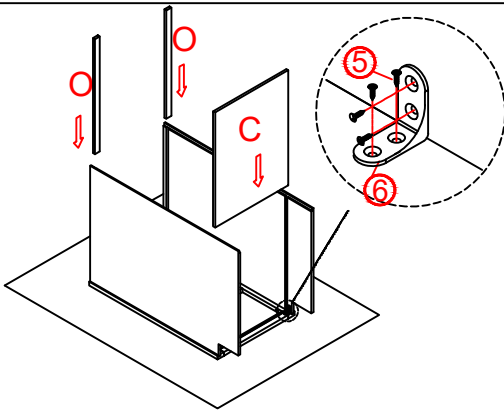
Step1:



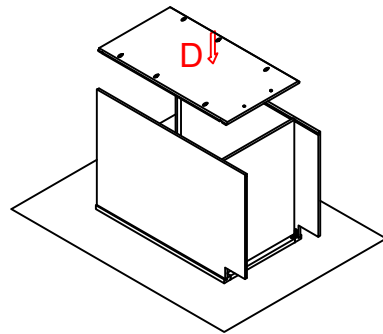
Step2:



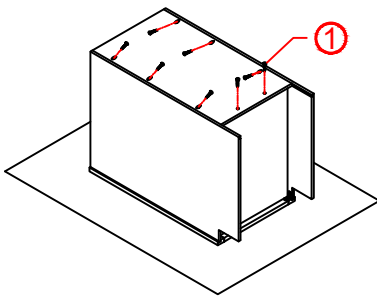
Step3:



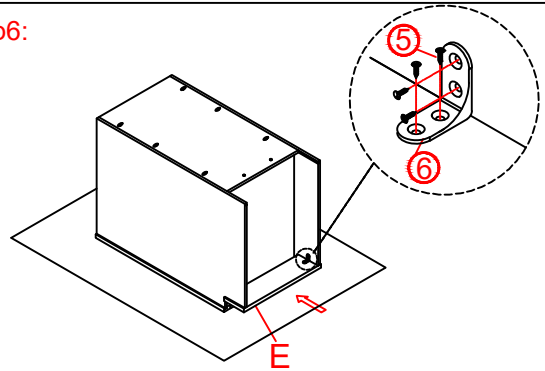
Step4:



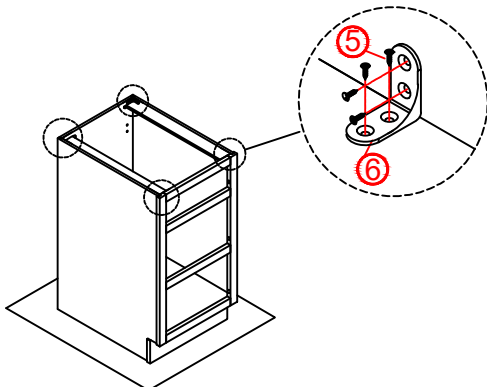
Step5:



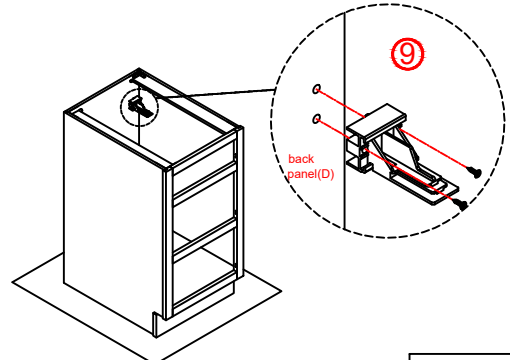
Step6:



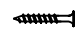



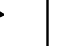


Step7:



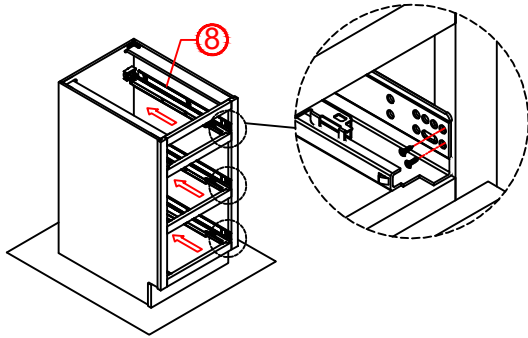
Step8:



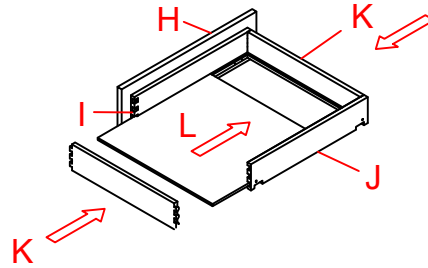
Base Cabinet Assembly Instruction (Item:CVD12-3/CVD15-3)

Hard Ware List	1	20PCS	Ø4×25mm	Flat head screw	5	40PCS	Ø4×12mm	Flat head screw	6	10PCS	Corner brackets	8	3SET	Slide	9	6PCS	prop	10	3SET	slide lock	11	12PCS	Bumper
																							
Cabinet Parts List	A	Frame	B	Side panels(2)	C	Bottom panel	D	Back panel	E	Toe kick	H	Drawer front(3)											
	I	Drawer front panel (3)	J	Drawer back panel (3)	K	Drawer side panel(6)	L	Drawer bottom panel (3)															
	O	panel beam(2)																					

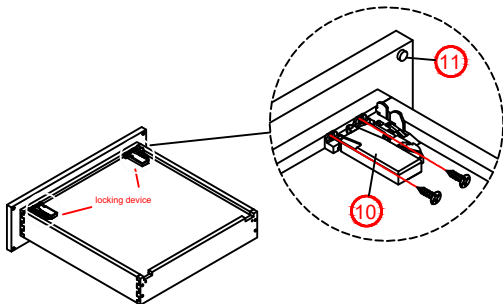
Step9:



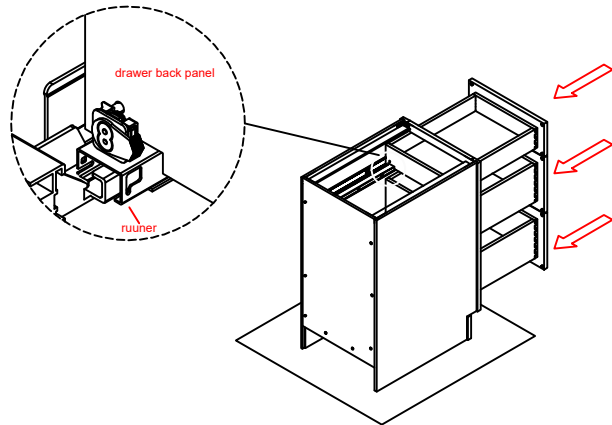
Step10:



Step11:



Step12:



Step13:

