

Features

- Asymmetrical large oval basin
- Available with or without (-N) overflow.
- No faucet holes; requires wall- or counter-mount faucet.
- 38-1/8" (969 mm) x 15-11/16" (399 mm) x 8-15/16" (226 mm)

Material

- Fireclay with Supramic Technology

Installation

- Vessel Bathroom Sink



ADA CSA B651 OBC

Codes/Standards





ADA
ICC/ANSI A117.1
CSA B651
OBC

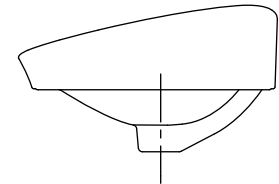
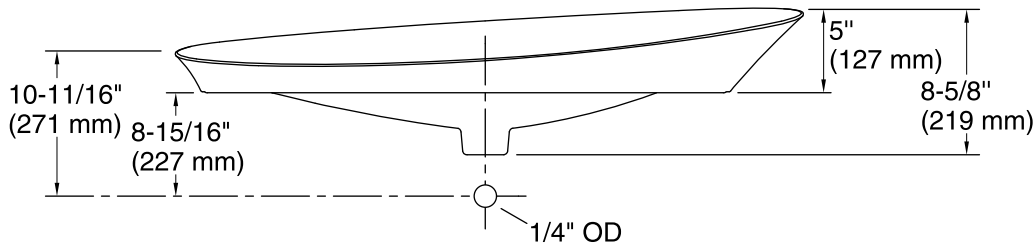
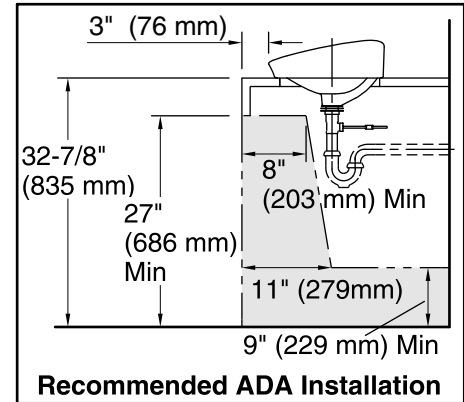
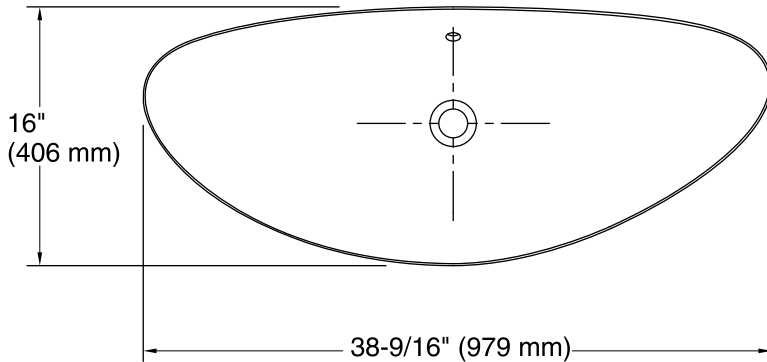
KOHLER® One-Year Limited Warranty

See website for detailed warranty information.

Available Color/Finishes

Color tiles intended for reference only.

| Color | Code | Description |
|--|------|--------------|
|  | 0 | White |
|  | 96 | Biscuit |
|  | NY | Dune |
|  | 7 | Black Black™ |



Technical Information

All product dimensions are nominal.

| | |
|---------------|---|
| Installation: | Vessel |
| Bowl area | Bowl depth: 3-1/2" (89 mm) Water depth: 2-13/16" (71 mm) |
| Drain hole: | 1-3/4" (44 mm) |
| Template: | 1317552-7, not required, included |

Notes

Install this product according to the installation instructions.

NOTICE: Countertop manufacturer or cutter must use the cut-out template provided with the product, or a current one provided by Kohler Co. (call 1-800-4-KOHLER). Kohler Co. is not responsible for cutout errors when the incorrect cut-out template is used.

ADA, OBC, CSA B651 compliant when installed to the specific requirements of these regulations.