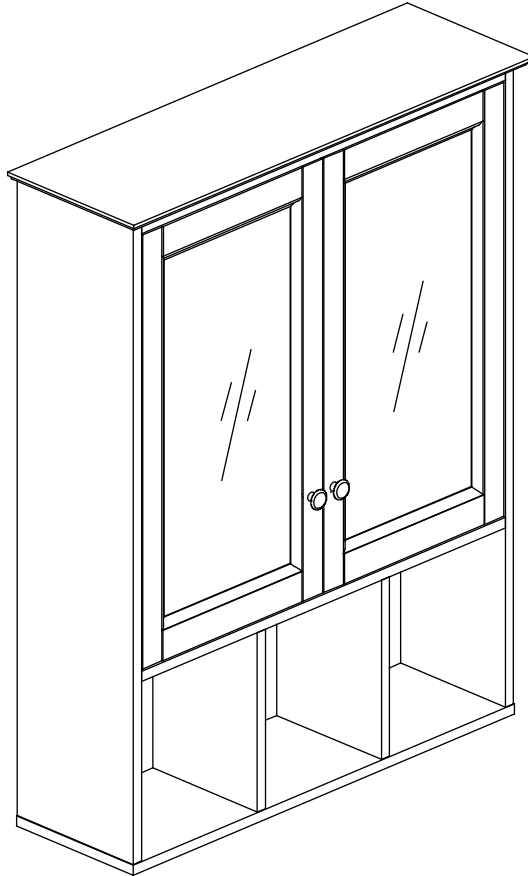




VEIKOUS



INSTRUCTION MANUAL



THANK YOU FOR CHOOSING VEIKOUS!

YOU WILL NEVER KNOW

HOW EASILY YOU COULD ENLIGHTEN YOUR LIFE

WITH SUPERIORITY AND PLEASURE

NOW YOU KNOW IT

- FOR MORE COST-EFFECTIVE PRODUCTS.

VISIT WWW.VEIKOUS.COM.

- IF YOU HAVE ANY PROBLEM.

E-MAIL US AT CUSTOMERSERVICE@VEIKOUS.COM

TOOLS REQUIRED


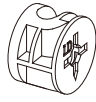






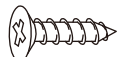






2 PERSON
ASSEMBLY

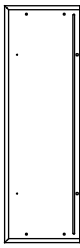



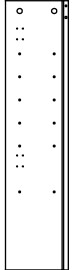
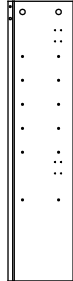


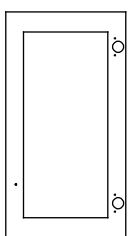
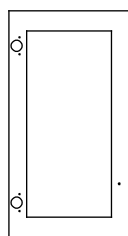
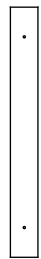
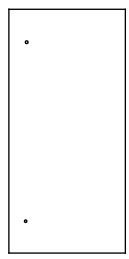
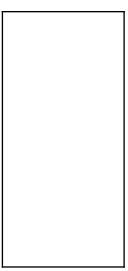
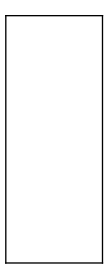



APPROXIMATELY
30 MIN.
ASSEMBLY

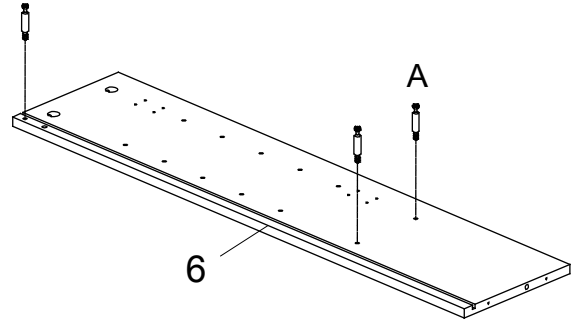
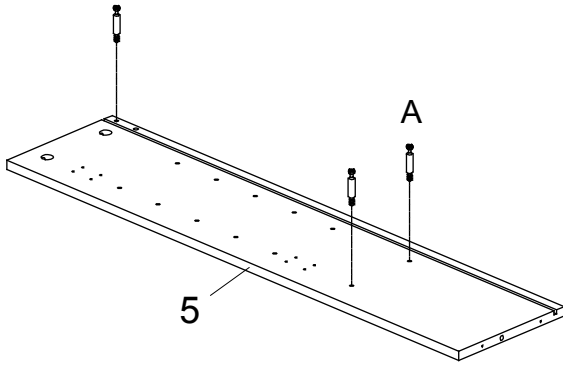
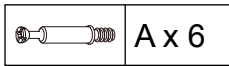
HARDWARE

<p>A</p>  <p>10PCS</p>	<p>B</p>  <p>10PCS</p>	<p>C</p>  <p>14PCS</p>	<p>D</p>  <p>4 x 20mm 2PCS</p>	<p>E</p>  <p>4 x 45mm 2PCS</p>	<p>F</p>  <p>4 x 30mm 4PCS</p>
<p>G</p>  <p>2PCS</p>	<p>H</p>  <p>4 x 18mm 2PCS</p>	<p>I</p>  <p>4 x 12mm 24PCS</p>	<p>J</p>  <p>4PCS</p>	<p>K</p>  <p>8PCS</p>	<p>L</p>  <p>4PCS</p>
<p>M</p>  <p>2PCS</p>					

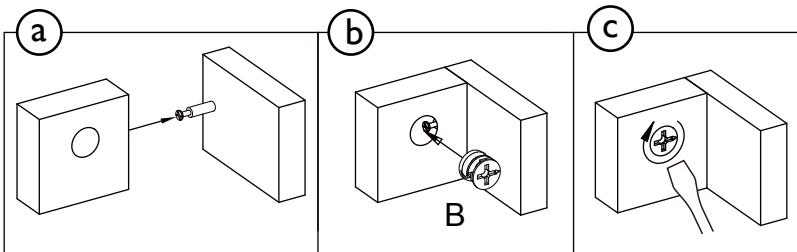
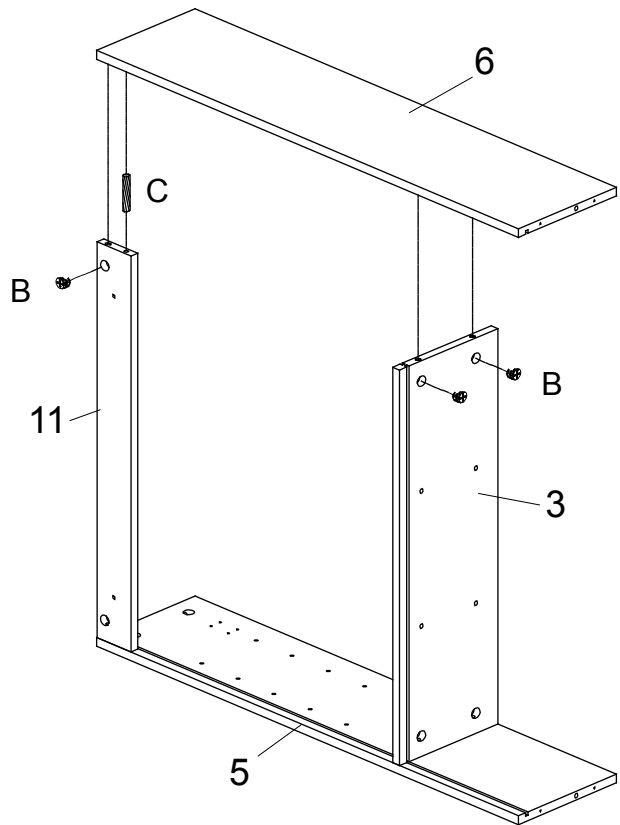
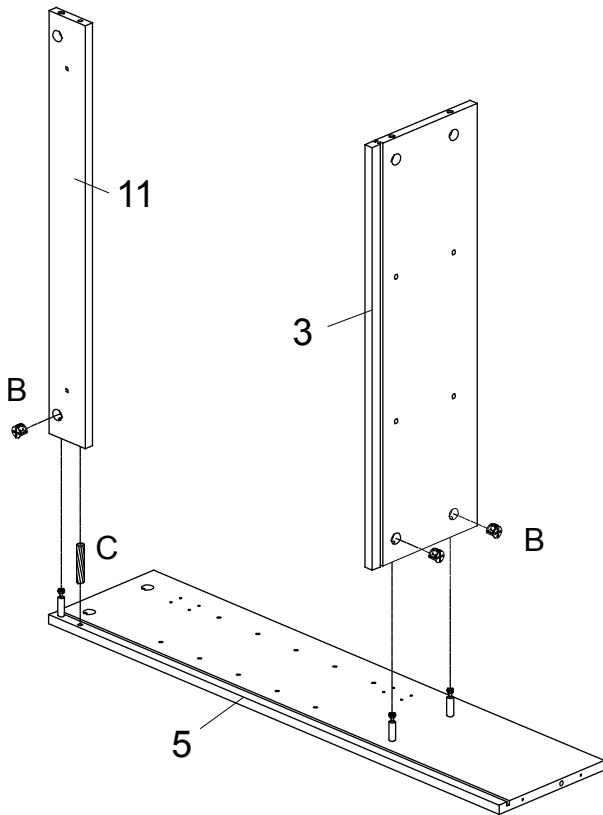
PARTS

<p>1</p>  <p>1PC</p>	<p>2</p>  <p>1PC</p>	<p>3</p>  <p>1PC</p>	<p>4</p>  <p>2PCS</p>	<p>5</p>  <p>1PC</p>	<p>6</p>  <p>1PC</p>
<p>7</p>  <p>1PC</p>	<p>8</p>  <p>2PCS</p>	<p>9</p>  <p>1PC</p>	<p>10</p>  <p>1PC</p>	<p>11</p>  <p>1PC</p>	<p>12</p>  <p>1PC</p>
<p>13</p>  <p>1PC</p>	<p>14</p>  <p>1PC</p>	<p>15</p>  <p>1PC</p>			

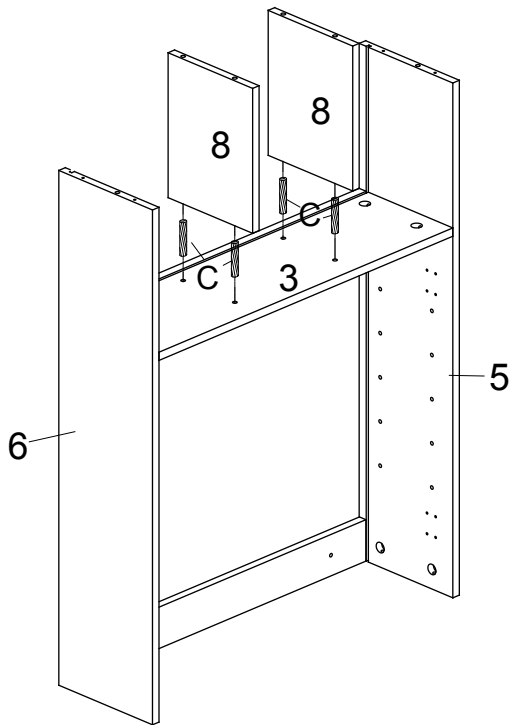
STEP 1



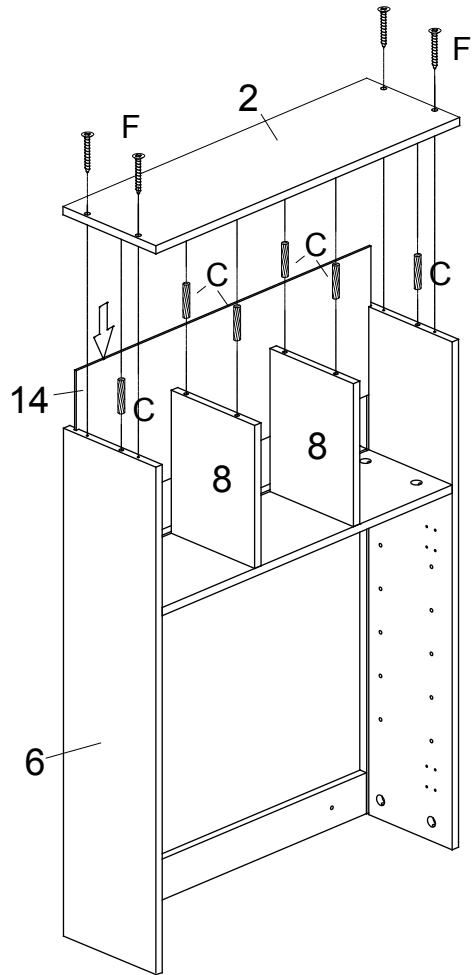
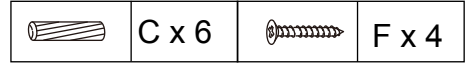
STEP 2



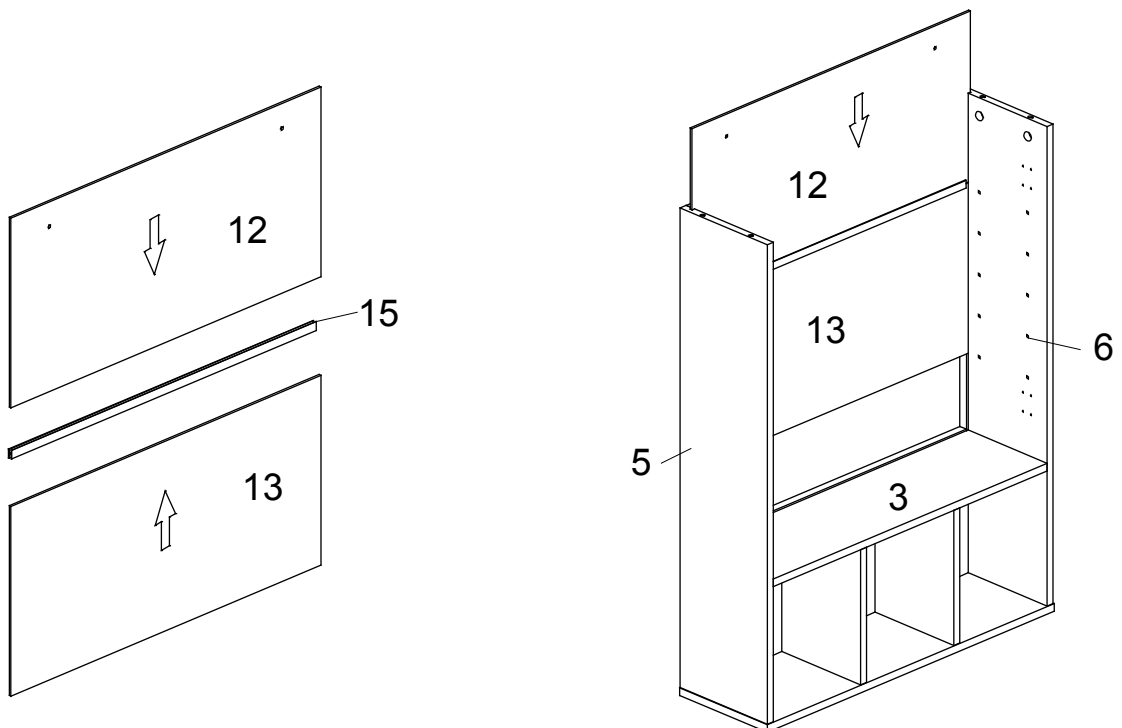
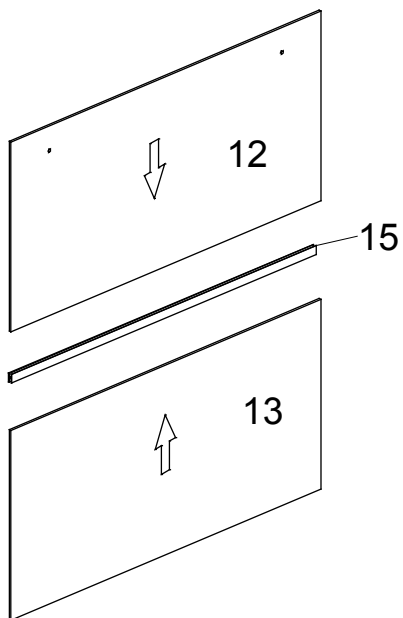
STEP 3



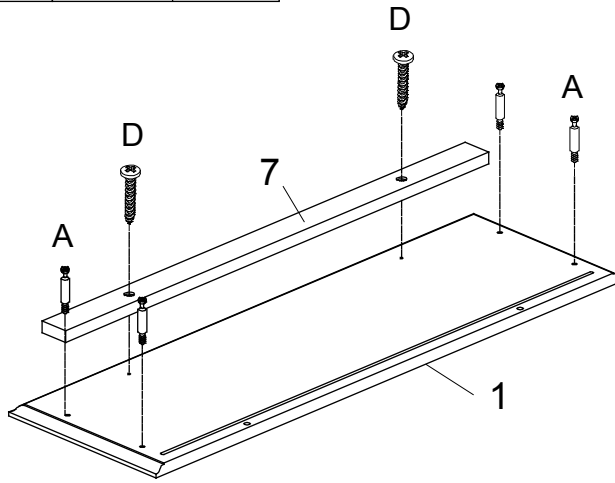
STEP 4



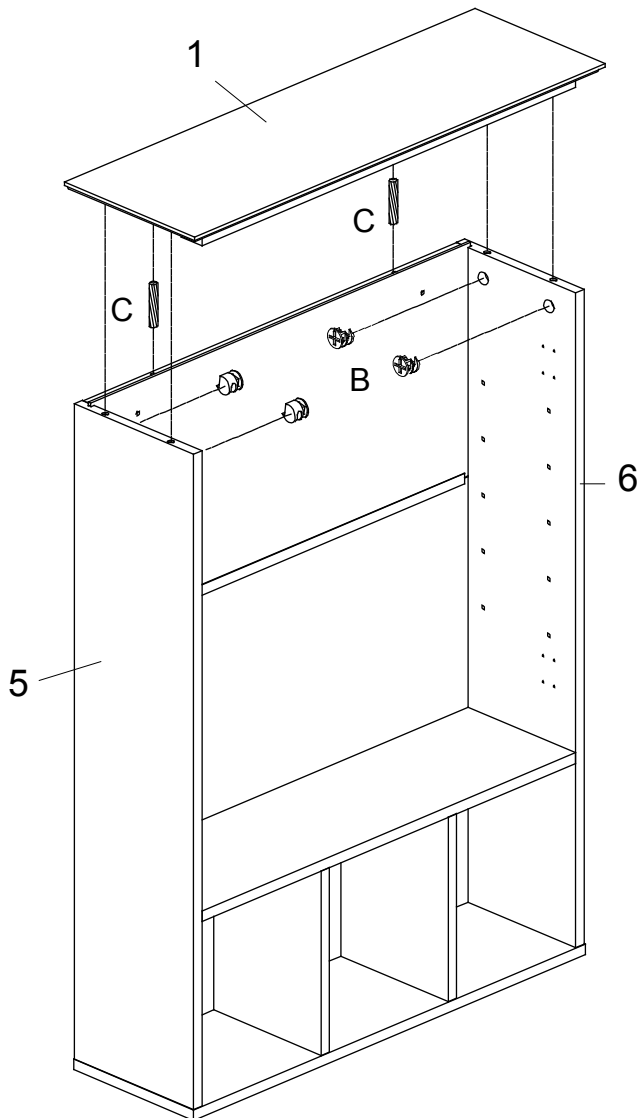
STEP 5



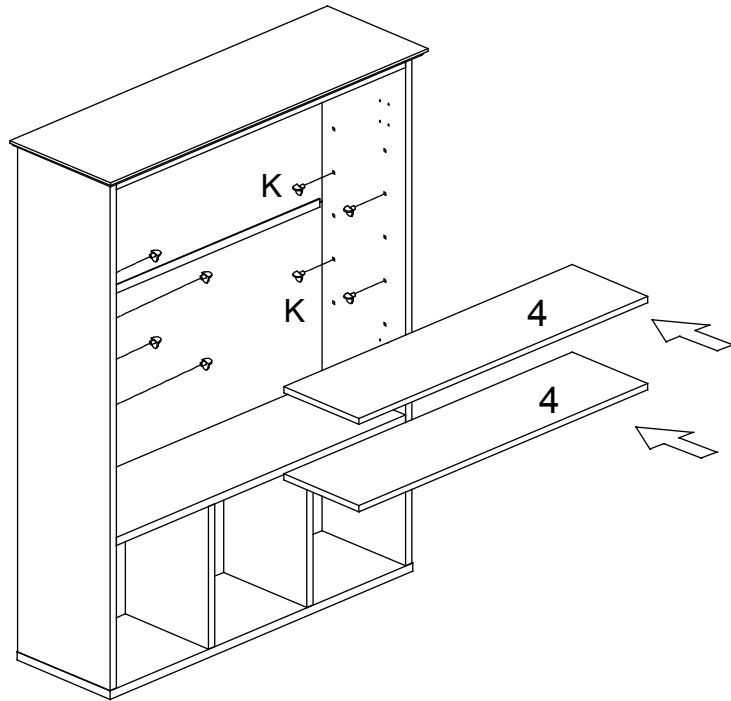
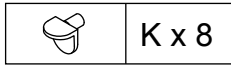
STEP 6



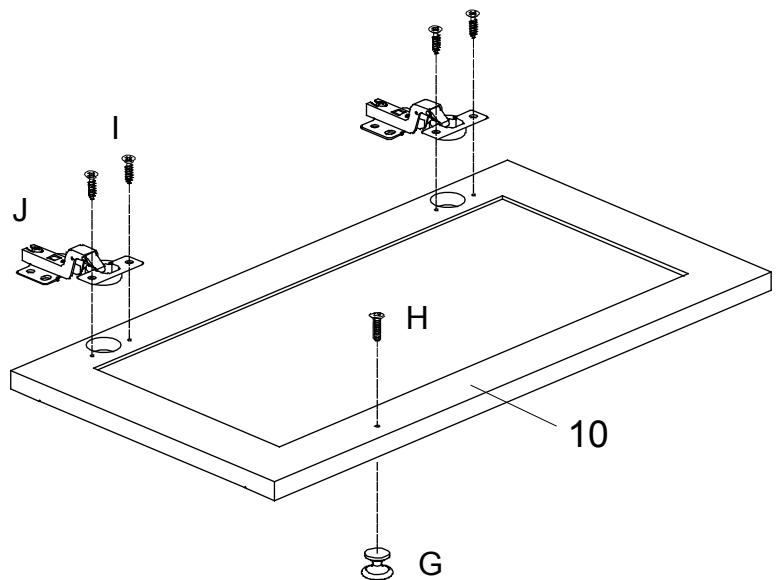
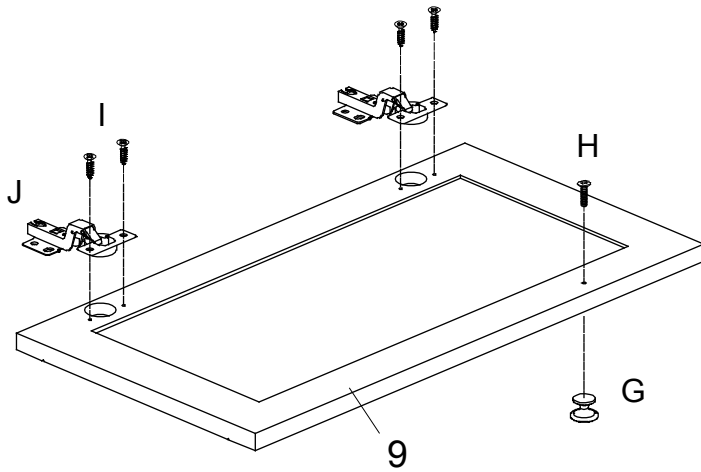
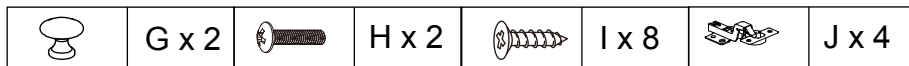
STEP 7





STEP 8

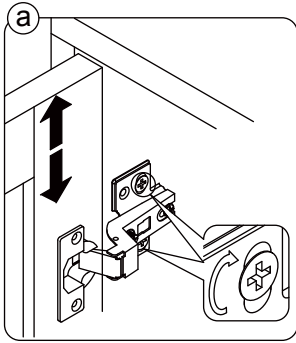


STEP 9

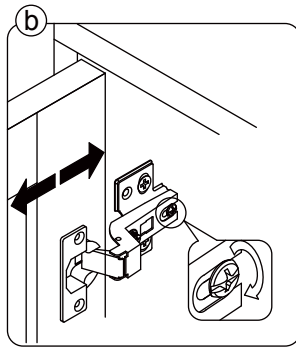


STEP 10

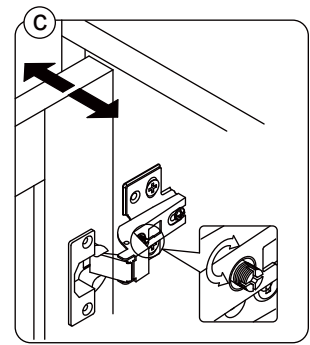
	I x 16		L x 4
---	--------	---	-------



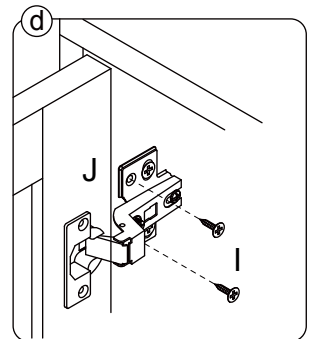
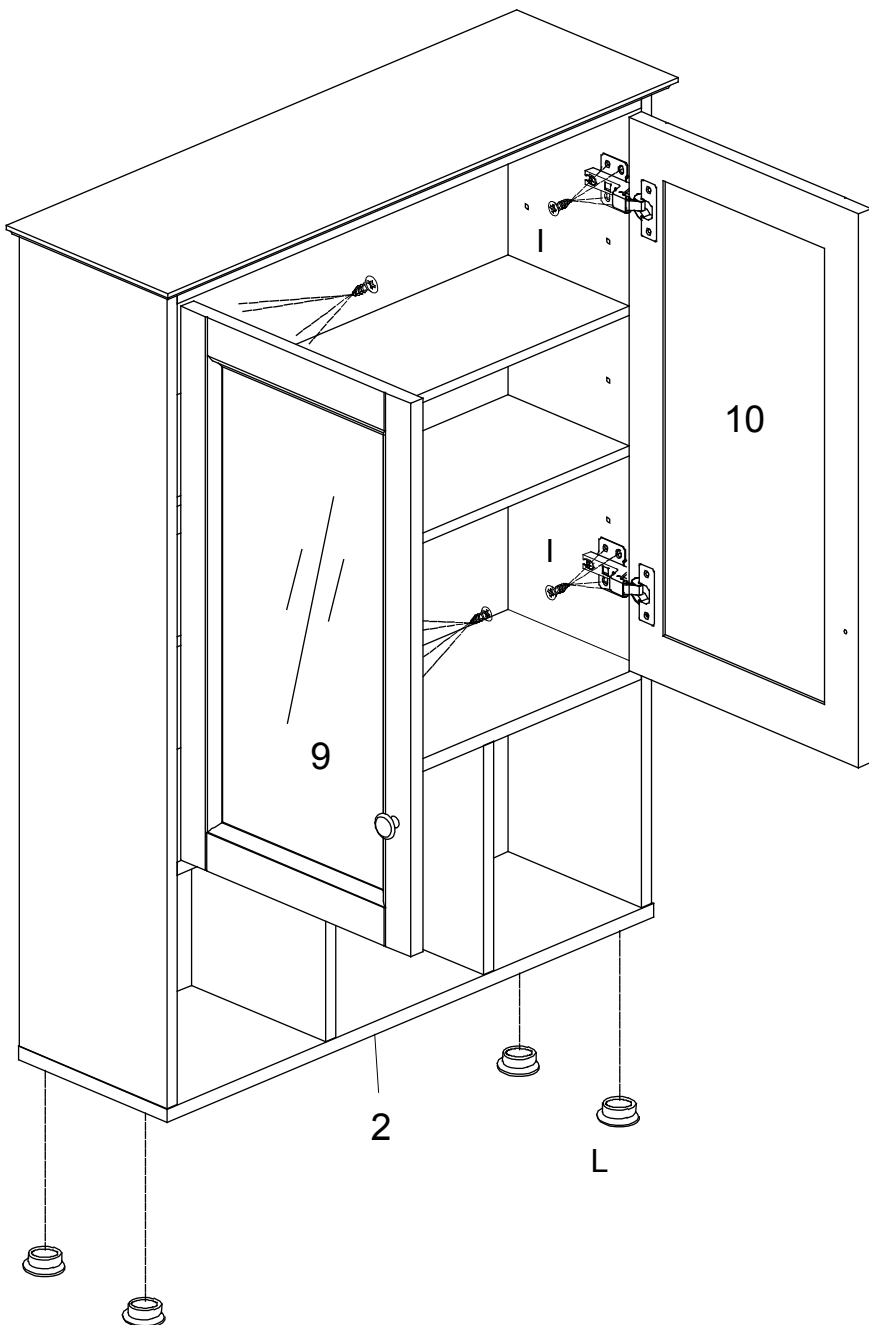
If you want to adjust the height of door to align it horizontally, please try the step a to let the door move up and down.



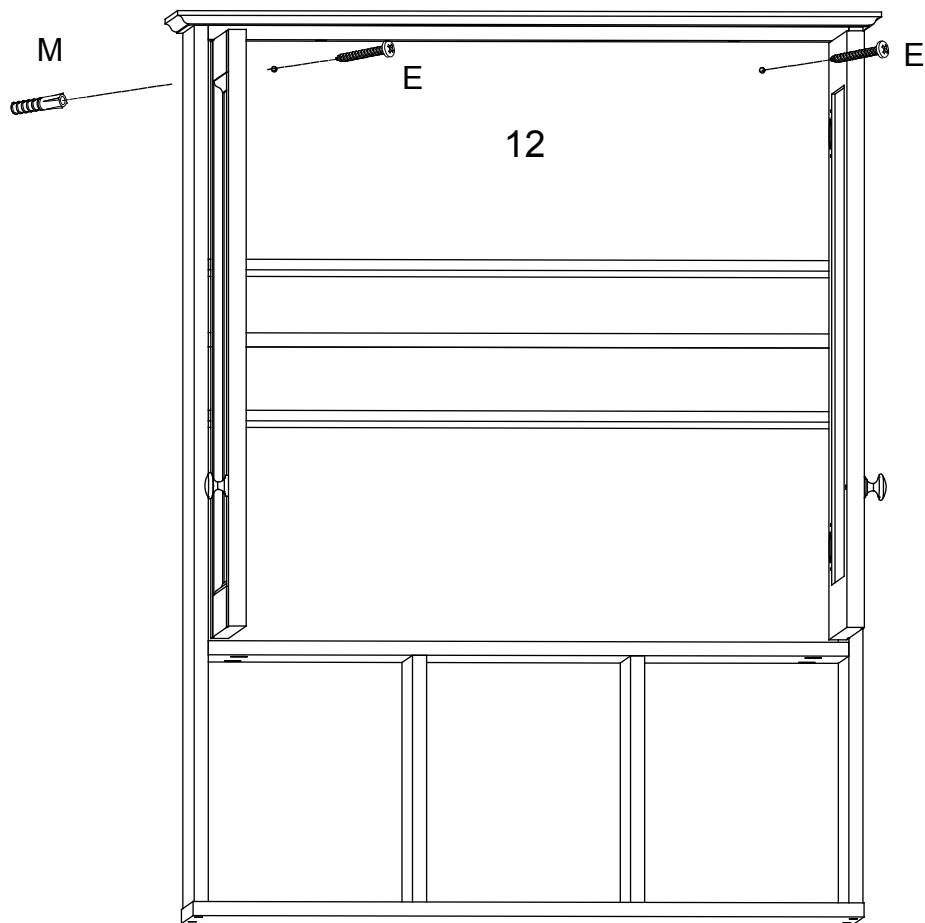
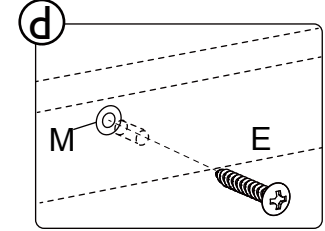
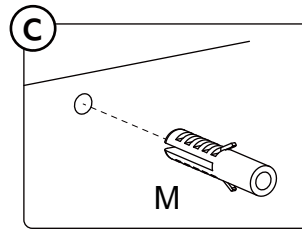
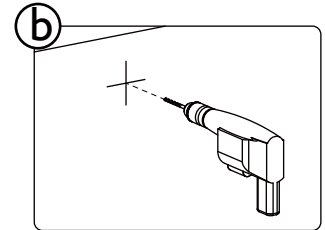
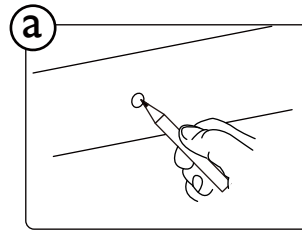
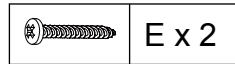
If you want to adjust the distance between the doors, please try the step b to let the door move right and left.



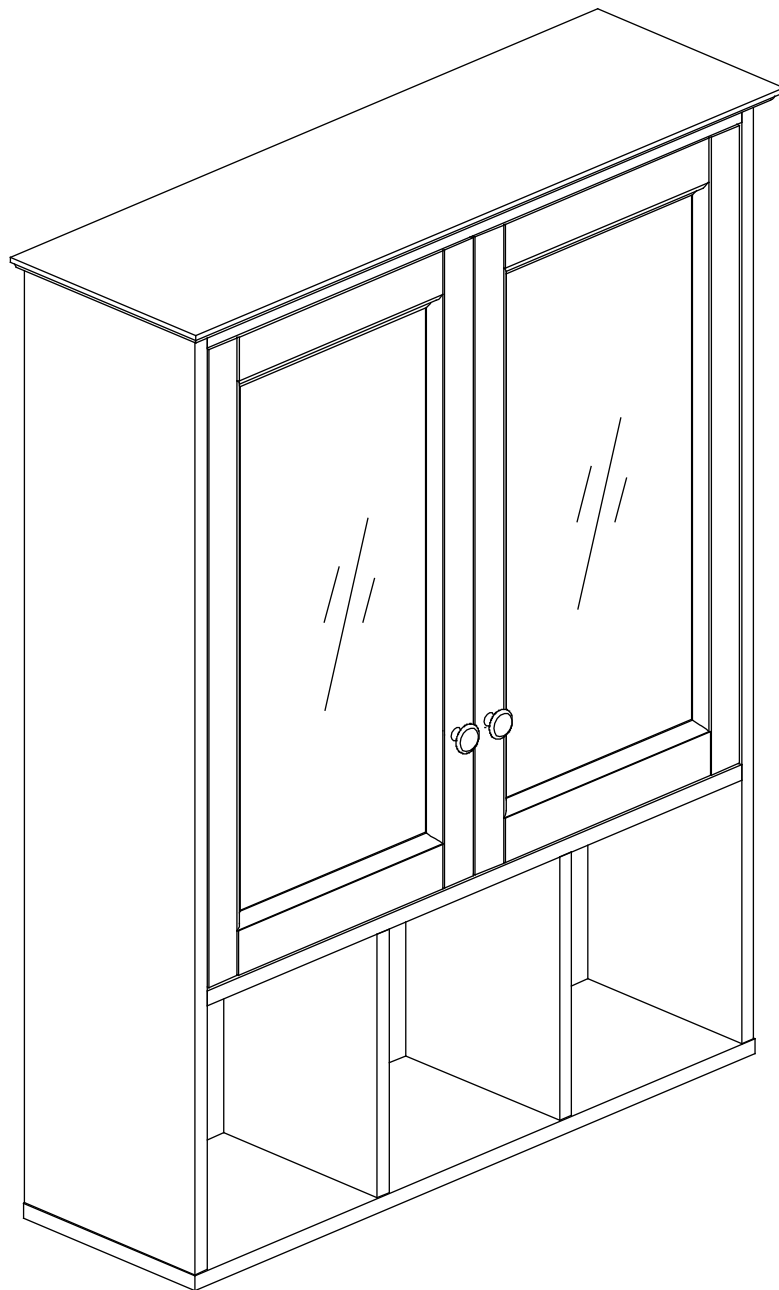
If you want to adjust the relative depth of the door, please try the step c to let the door move back and forth.



STEP 11



ENJOY YOUR PRODUCT!



WARNING

Manufacturer and seller expressly disclaim any and all liability for personal injury, property damage or loss, whether direct, indirect, or incidental, resulting from the incorrect attachment, improper use, inadequate maintenance, or neglect of this product.