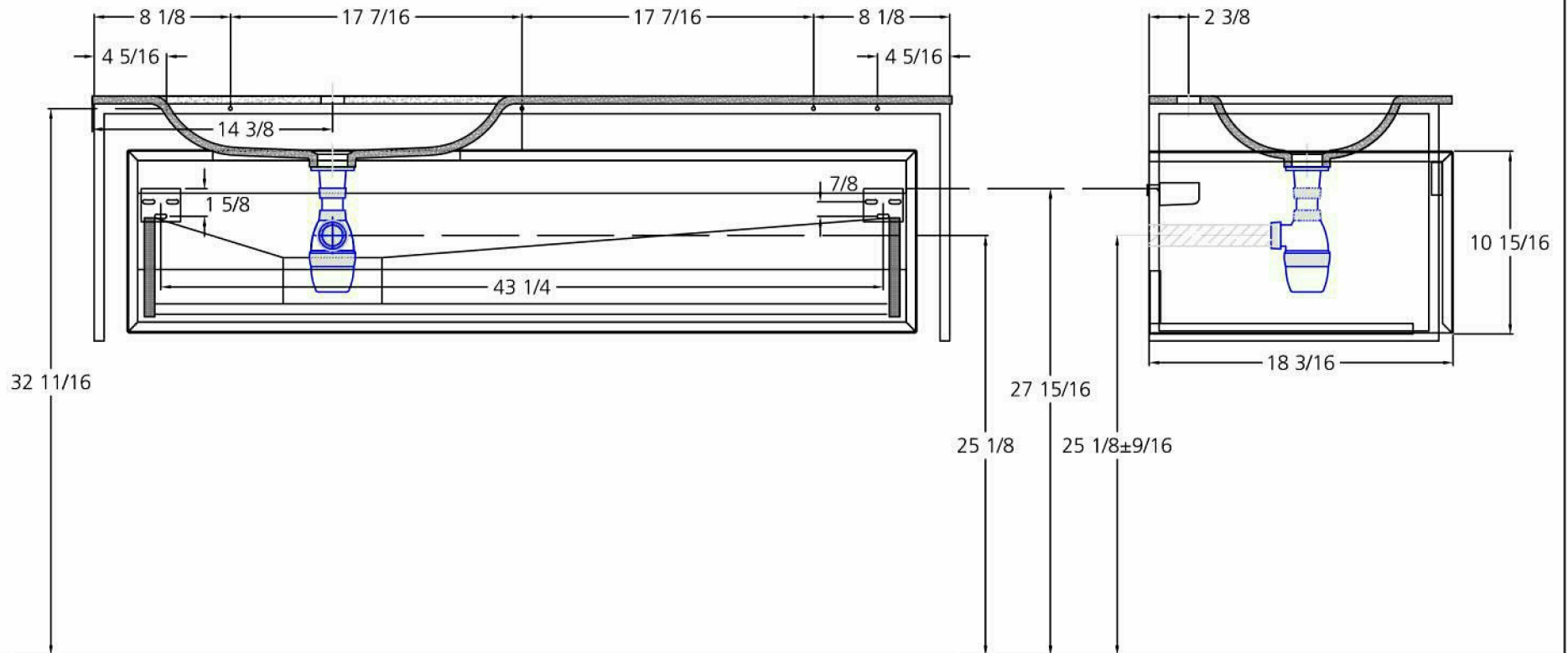
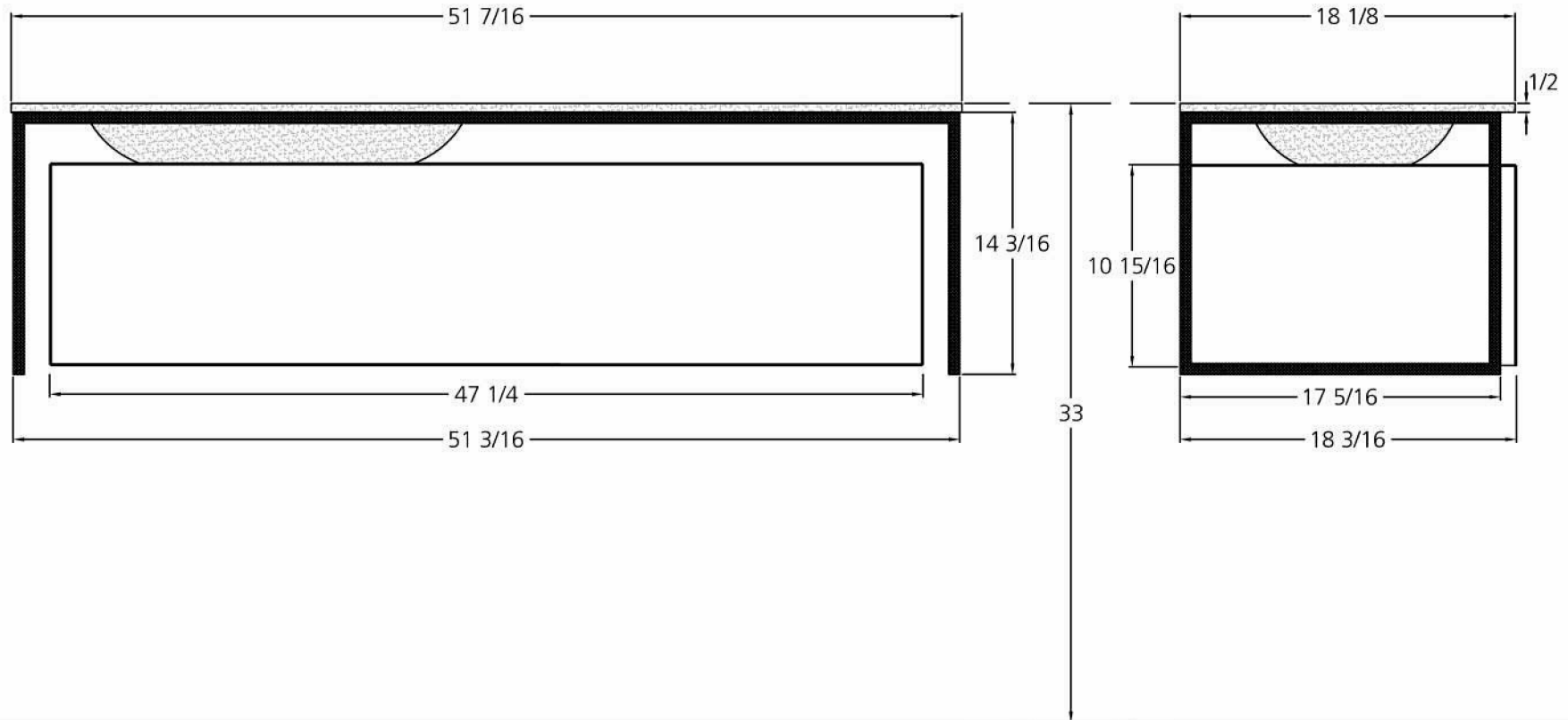


### Water Outlets / Wall Fixings



Sink Tolerance  $\pm \frac{1}{2}$  "  
 Height Tolerance  $\pm \frac{1}{4}$  "

Materials		Finish		DIMENSIONS		PIECE	
		Melamine / Lacquer		47 $\frac{1}{4}$ x 10 $\frac{15}{16}$ x 18 $\frac{3}{16}$		MODERNA 130 INSTALLATION	
				51 $\frac{3}{16}$ x 18 $\frac{3}{16}$ x $\frac{1}{2}$		LAO Left Handed Sink	
DESIGN	DATE	UNIT		Sheet no.	of	Model	
	June 2023	inches		①	②	MODERNA EVVN111-51BLU	



Sink Tolerance  $\pm \frac{1}{2}$  "  
 Height Tolerance  $\pm \frac{1}{4}$  "

Materials		Finish		DIMENSIONS		PIECE	
		Melamine / Lacquer		47 $\frac{1}{4}$ x 10 $\frac{15}{16}$ x 18 $\frac{3}{16}$		MODERNA 130 INSTALLATION	
				51 $\frac{3}{16}$ x 18 $\frac{3}{16}$ x $\frac{1}{2}$		LAO Left Handed Sink	
DESIGN	DATE	UNIT		Sheet no.	of	Model	
	June 2023	inches		2	2	MODERNA EVVN111-51BLU	