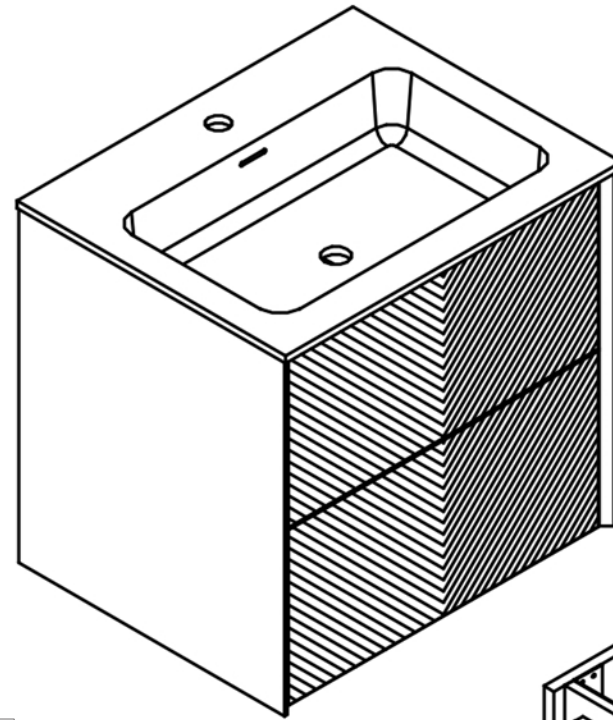
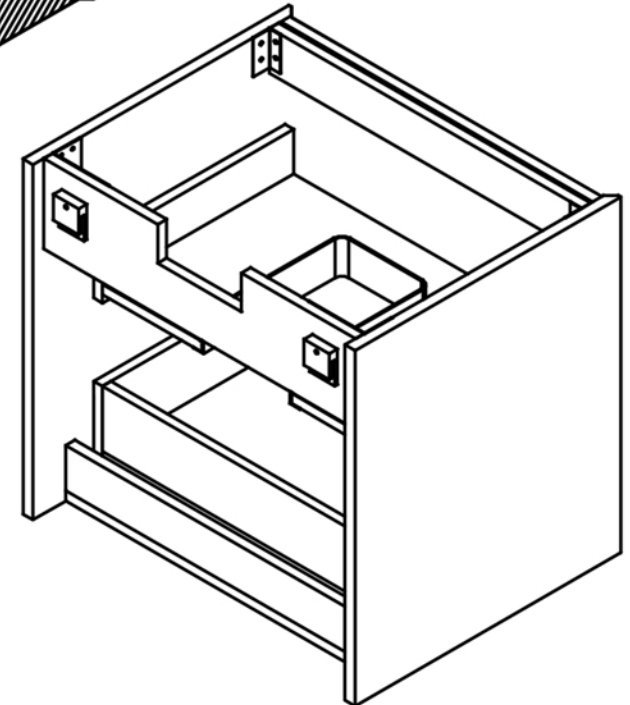


Product Specifications

✱ Eviva



Perspective View

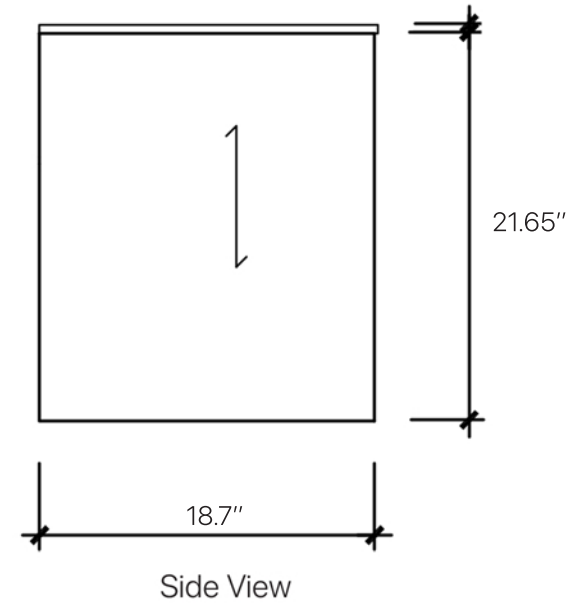
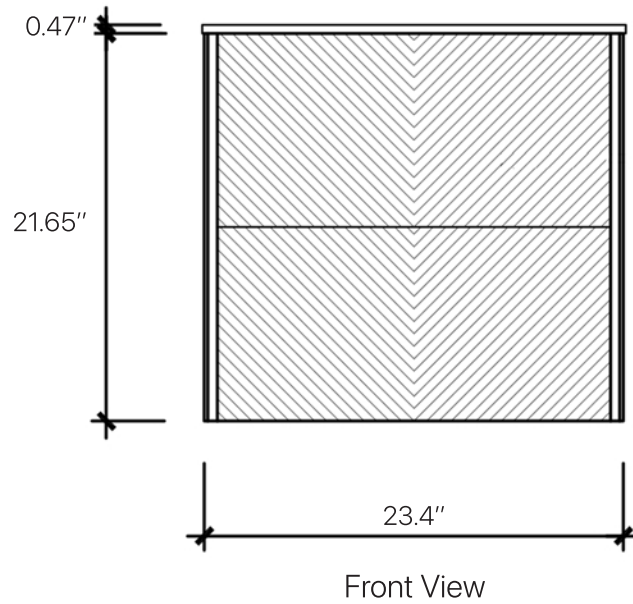


| | |
|--------|------------|
| SKU: | EVVN205-24 |
| Notes: | |

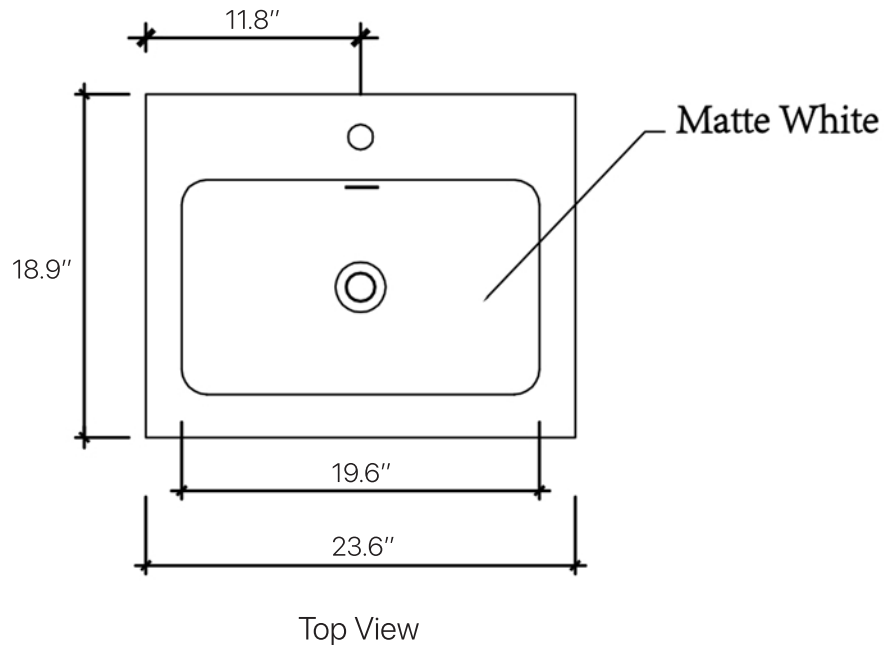
All dimensions and specifications are approximate and subject to change without notice.

orders@eviva.us +1 (800) 406-7205

Product Specifications



| | |
|--------|------------|
| SKU: | EVVN205-24 |
| Notes: | |



All dimensions and specifications are approximate and subject to change without notice.

orders@eviva.us +1 (800) 406-7205