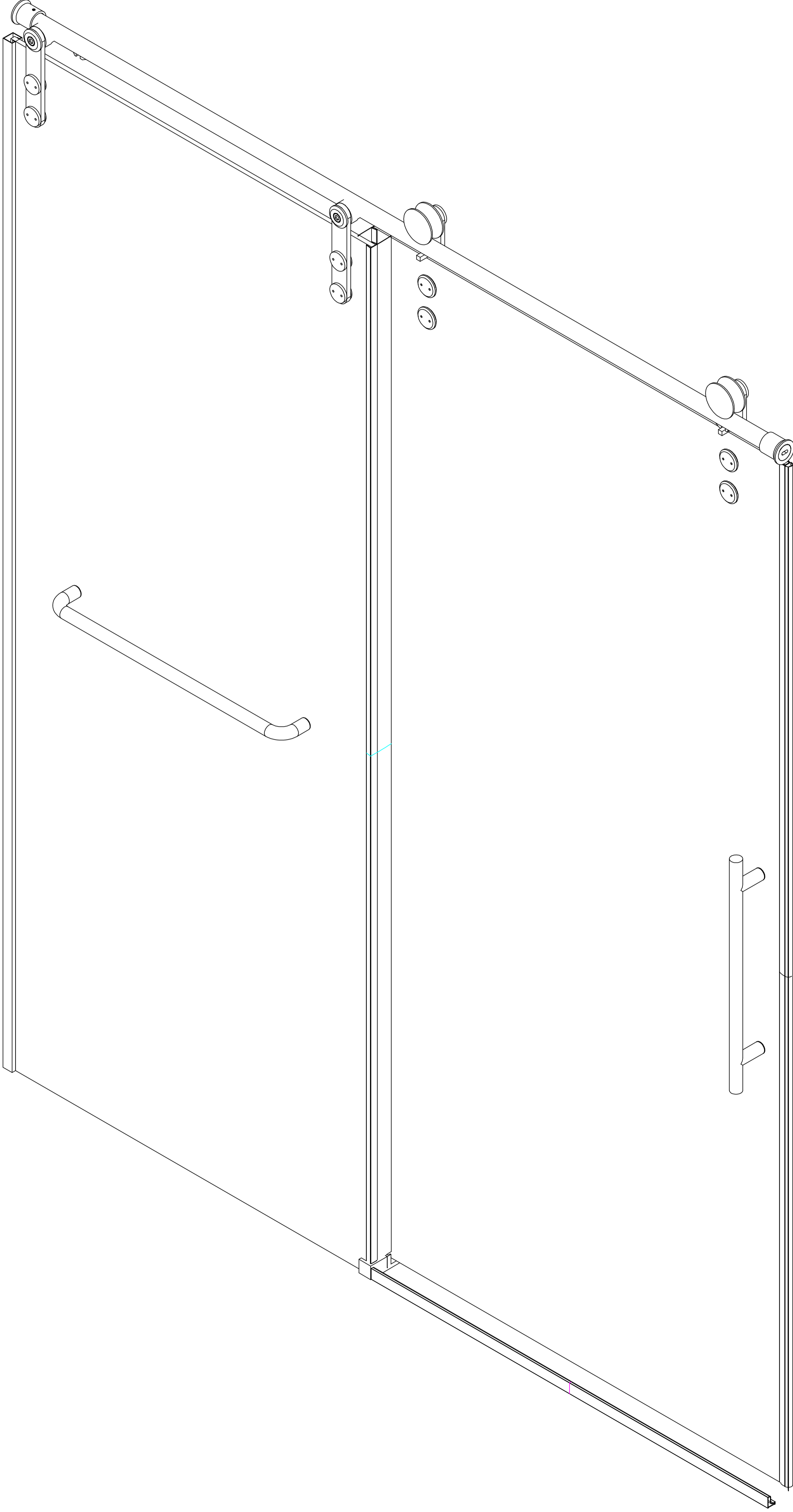


# INSTALLATION MANUAL



Before returning to your retailer, call our customer service department please

## SAFETY INFORMATION

---

### CAUTION

Please carefully read the following important safety information before handling or installing this shower. There is a risk of serious injury while handling this product. To minimize these risks, please note:

- Always wear safety glasses and gloves while handling.
- Always read and follow all the steps in the installation instructions.
- Inspect all contents and glass for damage before installation.
- Extreme caution should be taken while handling the glass during installation as the tempered glass may shatter if in contact with a hard surface.
- Handle the tempered glass with caution! Improperly handling the glass can cause it to break suddenly in small pieces (never in pointed fragments).
- Always take all precautions not to touch the tempered glass with any tools during the installation, or after installed.
- Do not cut or modify the tempered glass as it will shatter if cut.
- Carefully remove product from packaging and keep packaging until installation is complete.
- Inspect all parts for damage; if there is damage to the unit prior to installation, please contact customer service at the number provided in this guide.
- Install the shower on a floor that is level and able to accommodate the weight of the unit and an occupant.
- Consult local building codes and compliance standards prior to installation and ensure conformity.
- After installation, and from time to time, check the glass for fit and finish to ensure that nothing has come loose since installation.
- Keep this installation manual for future reference.

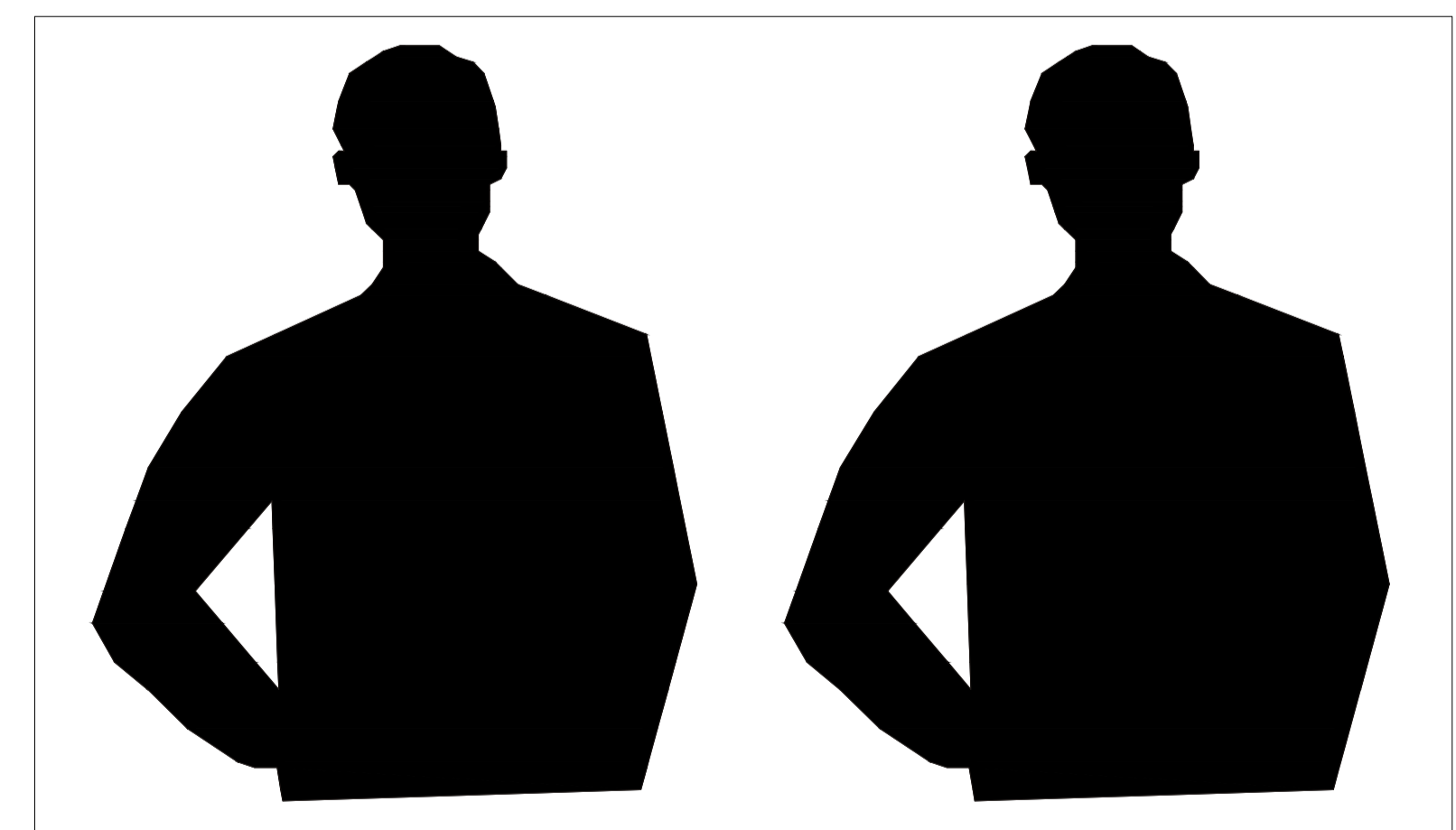
### NOTICE

- Any modification or alteration from what is specified in this instruction manual will void any and all warranty on this product.
- The distributor is not responsible for any damage to the unit or personal property caused by improper installation. If you disregard instructional warnings, you will void your warranty and possibly deal with water damage.
- Consult us for any additional information or question on this product's installation.

## PREPARATION

---

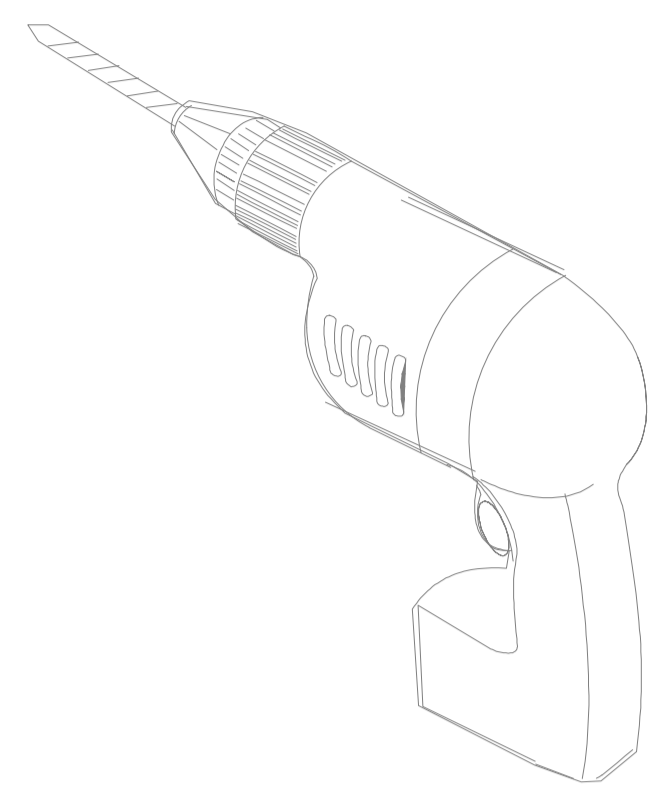
You will need at least two people to install this unit properly.



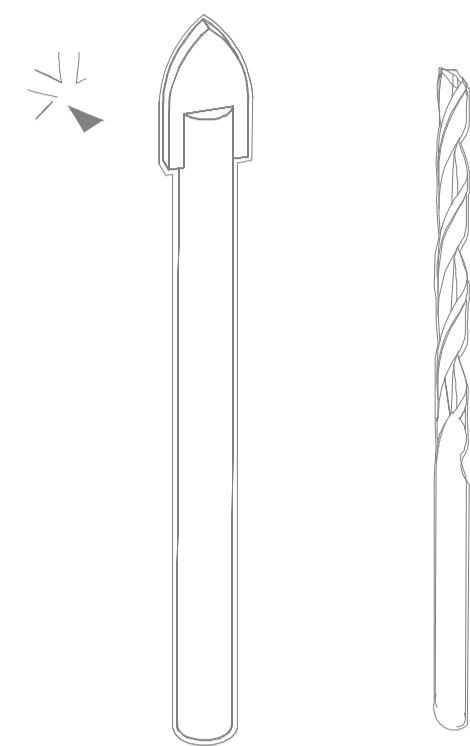
Before beginning assembly of product, make sure all parts are present. Compare parts with package contents list and hardware contents list. If any part is missing or damaged, do not attempt to assemble the product.

**Estimated Assembly Time: Shower (60 min).**

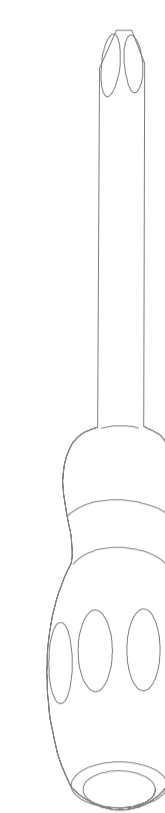
REQUIRED TOOLS



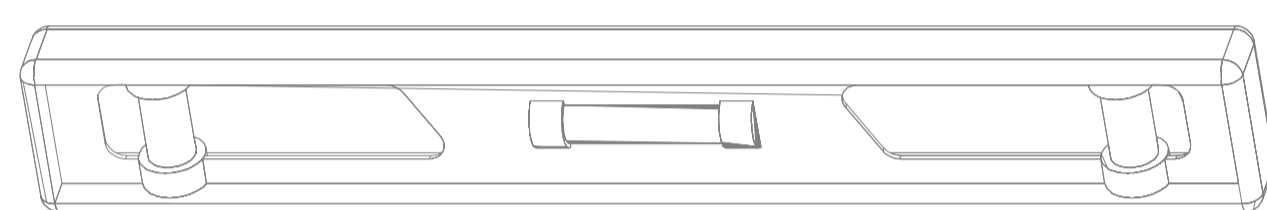
**DRILL**  
PERCEUSE



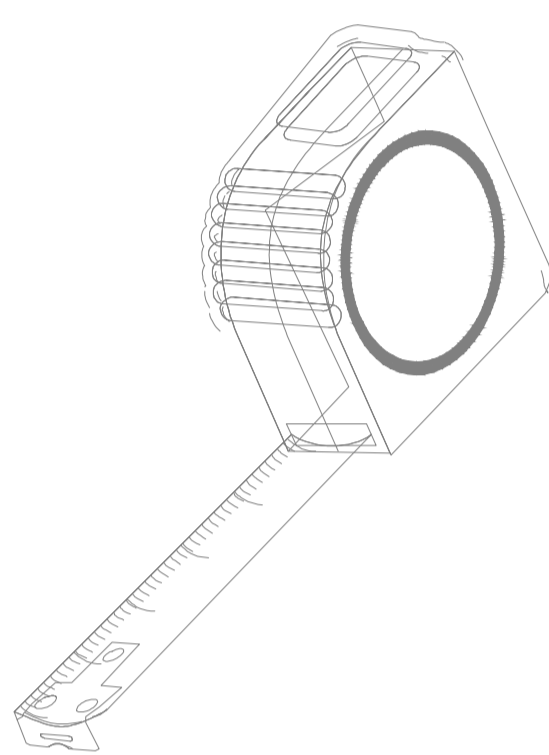
**1/4" & 1/8" DRILL BITS**  
MECHES 1/4" & 1/8"



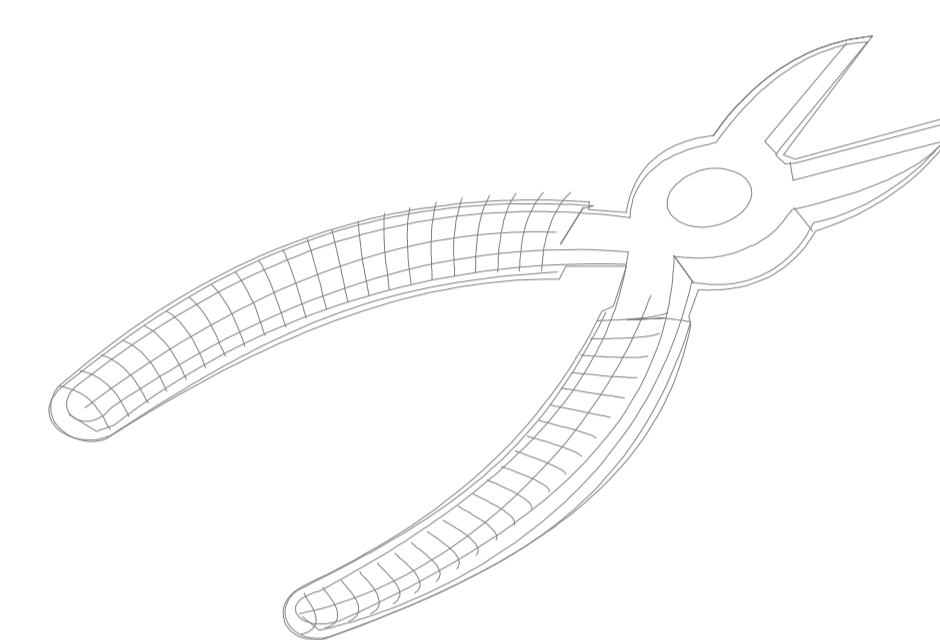
**SCREWDRIVER**  
TOURNEVIS



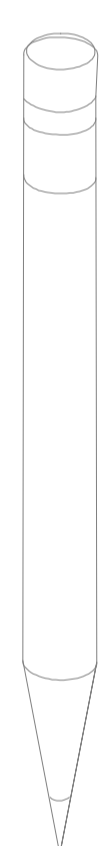
**LEVEL**  
NIVEAU



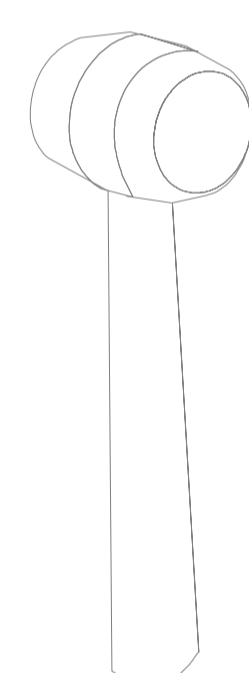
**TAPE MEASURE**  
MESURER



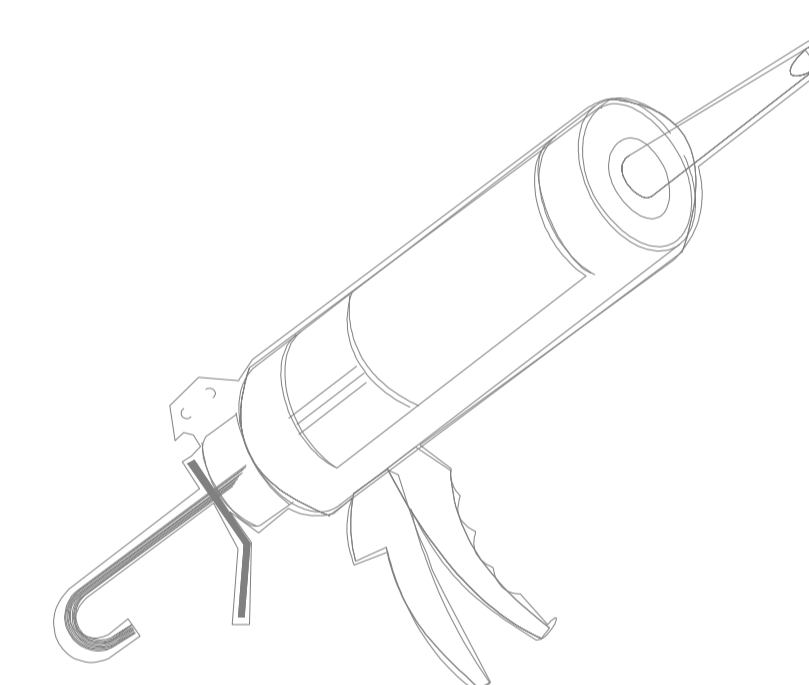
**CUTTING PLIER**  
PINCE COUPANTE



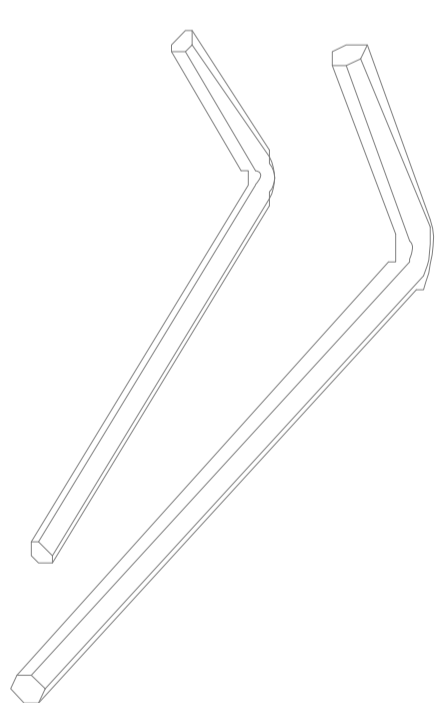
**PENCIL**  
CRAYON



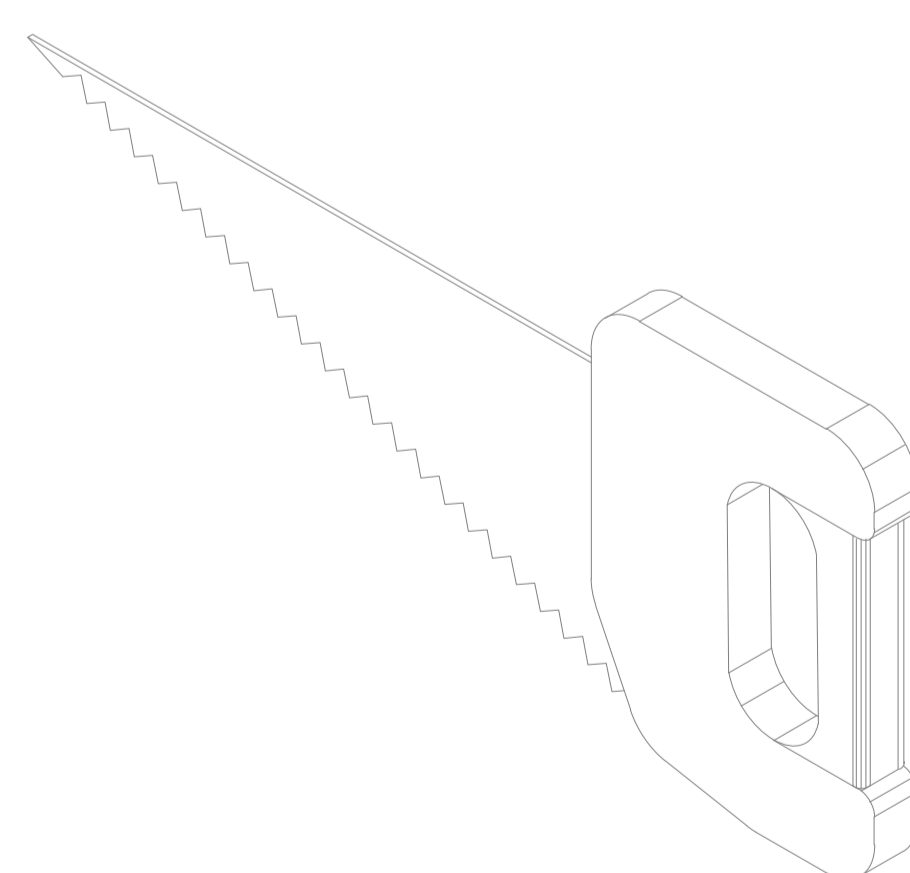
**MALLET**  
MAILLET



**SILICONE**  
SCCELLANT



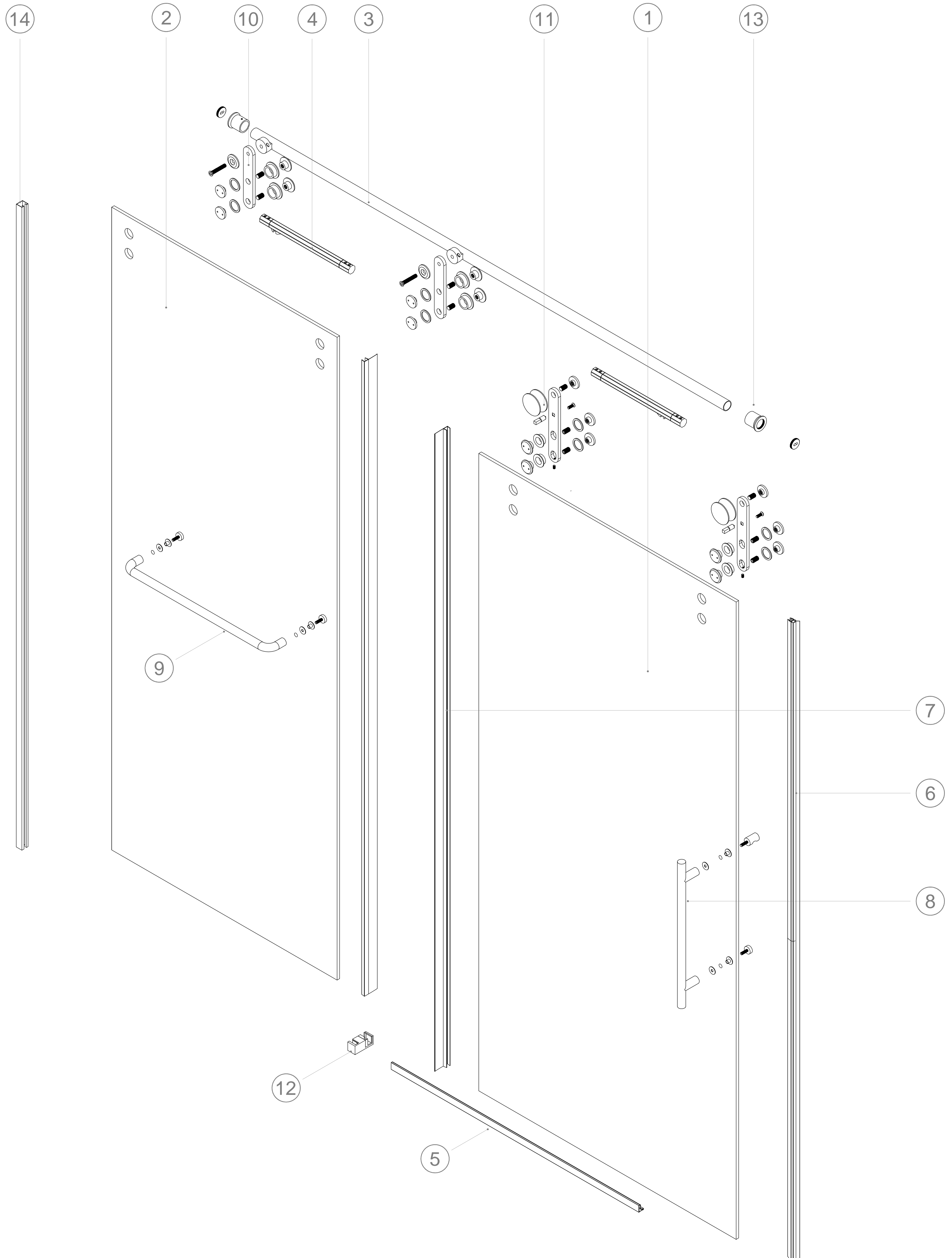
**ALLEN KEY**  
2mm&2.5mm&4mm&5mm




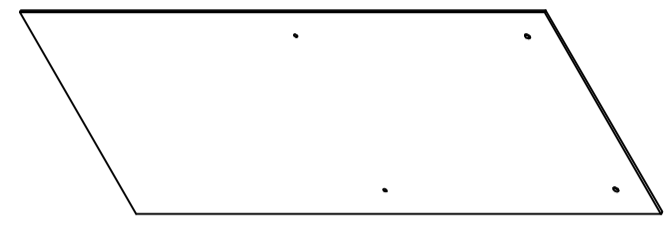
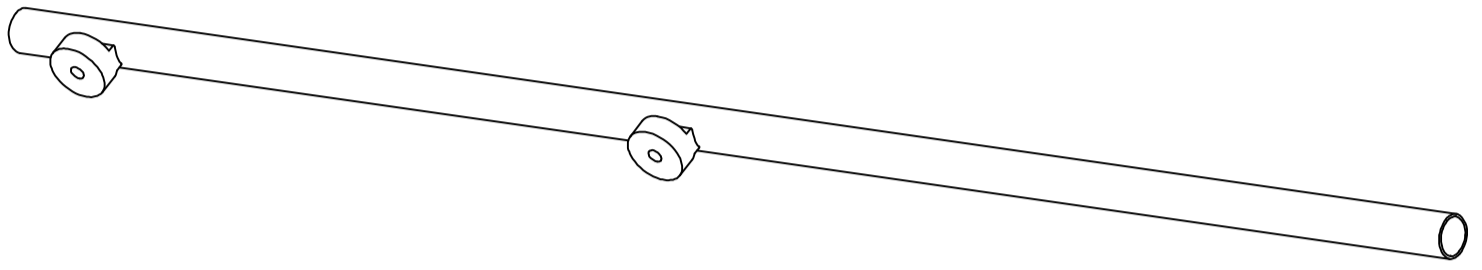
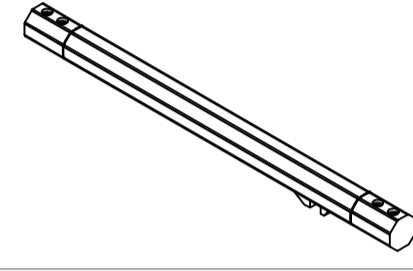
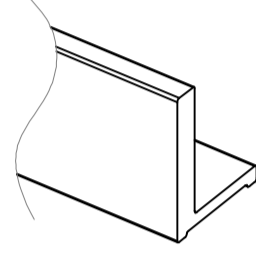
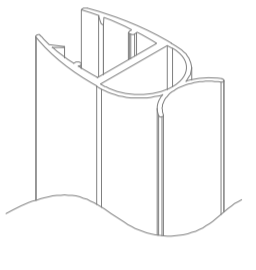
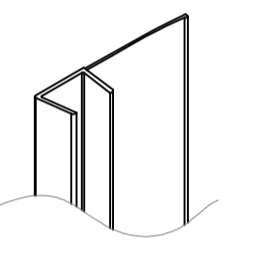
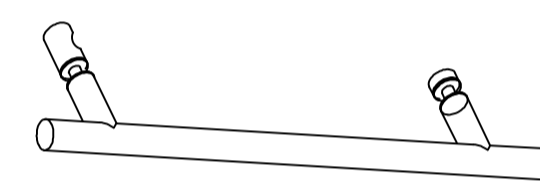
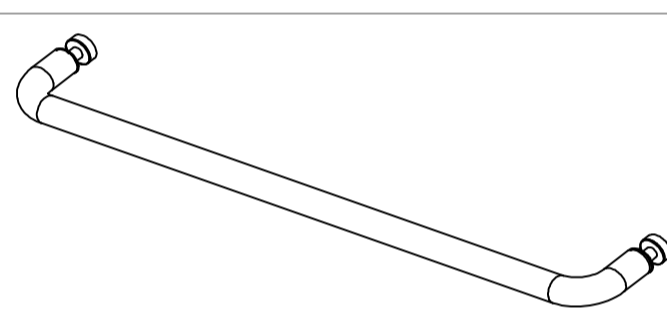
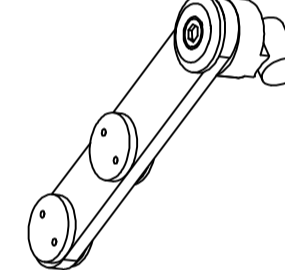
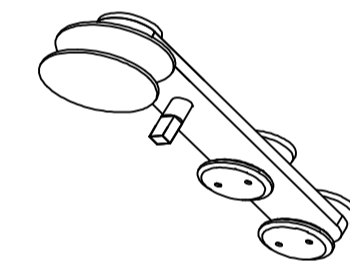
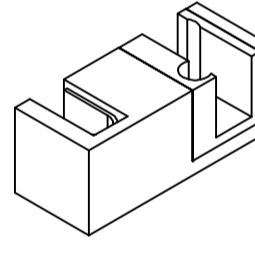
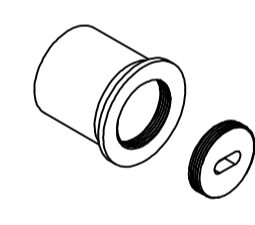
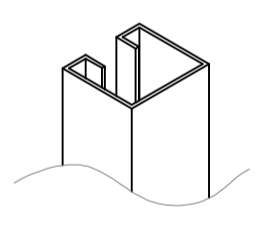
**Saw**  
Saw

**\* Use a 1/4" drill bit for ceramic when drilling into ceramic tiles**

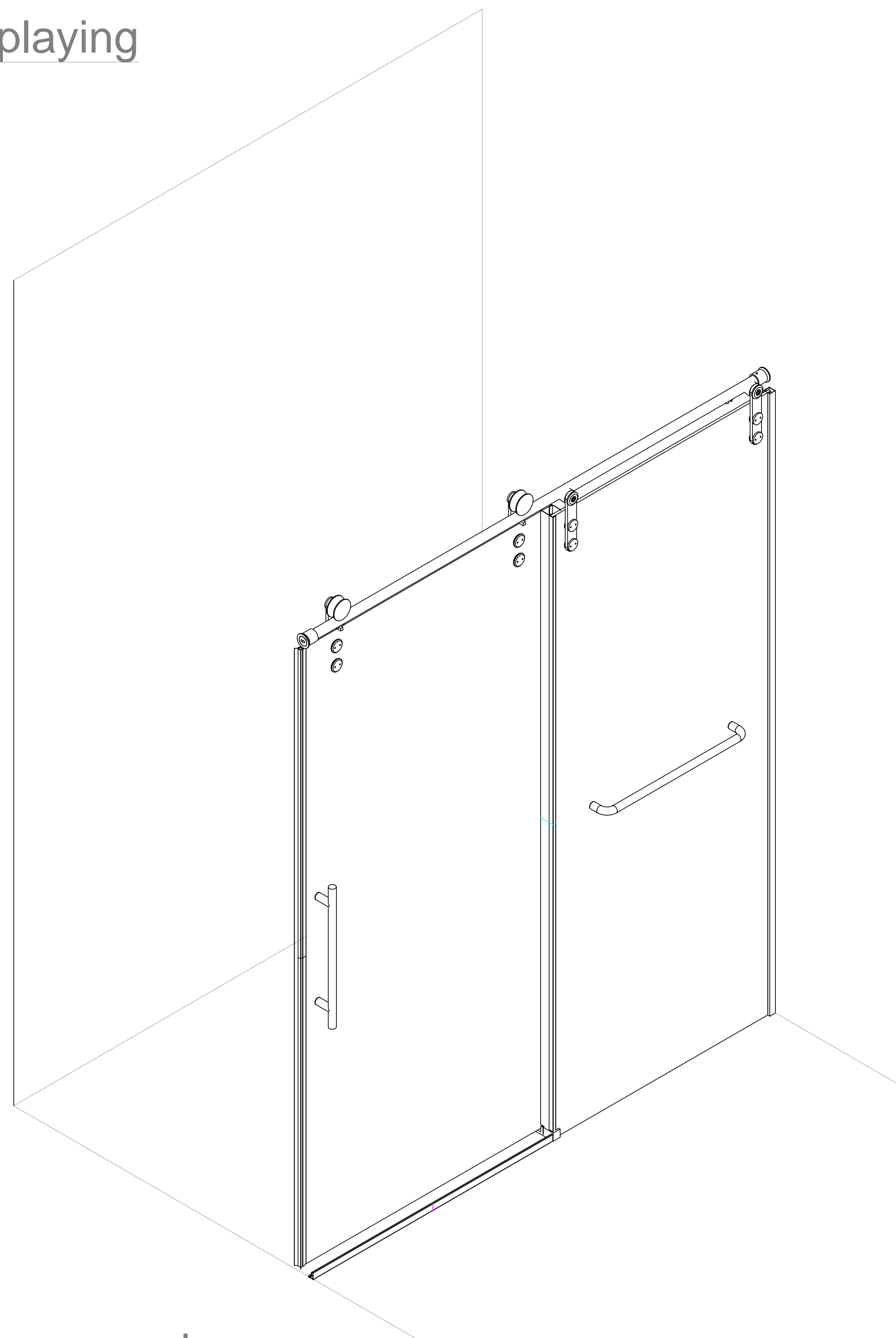
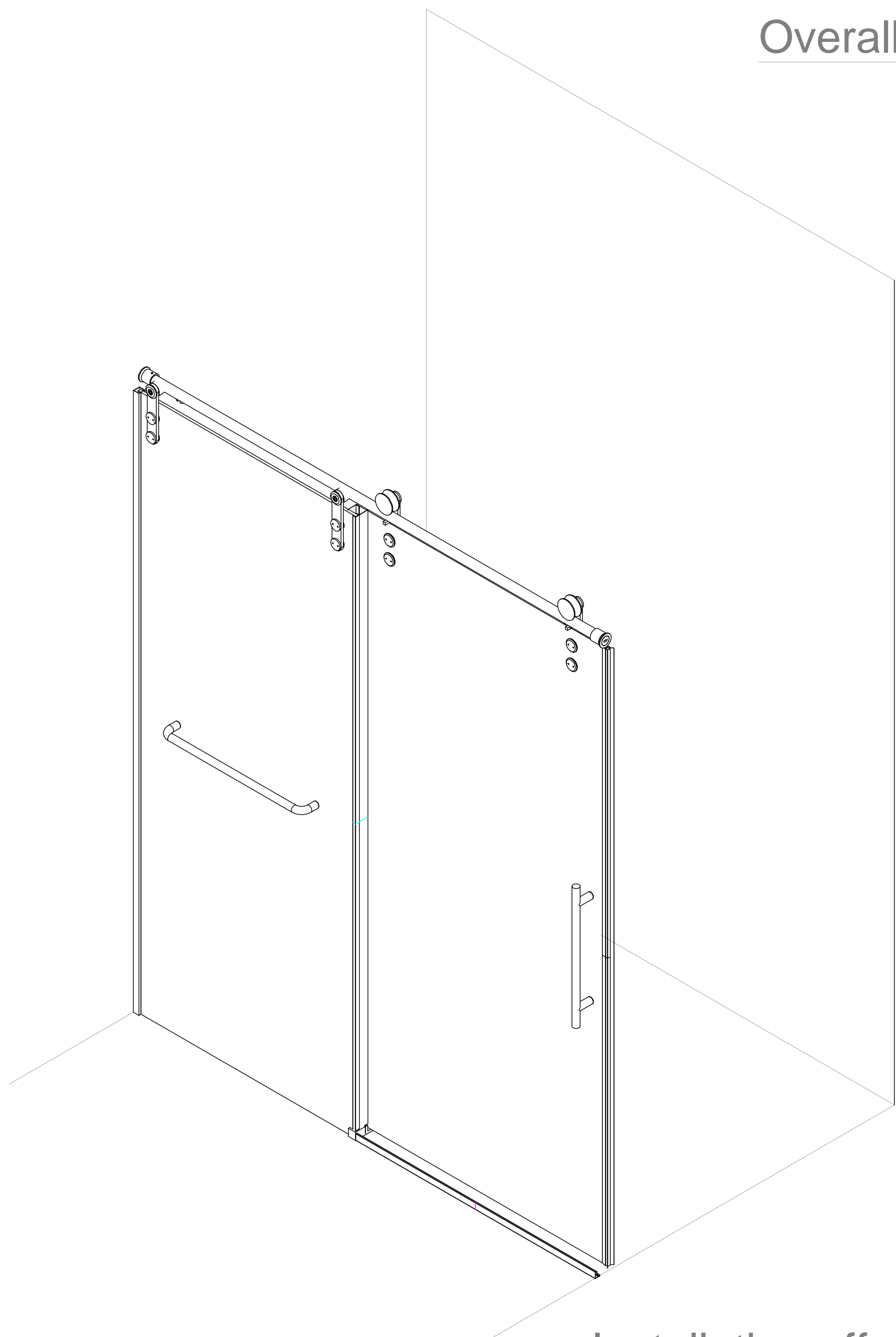
PARTS AND HARDWARE LISTING



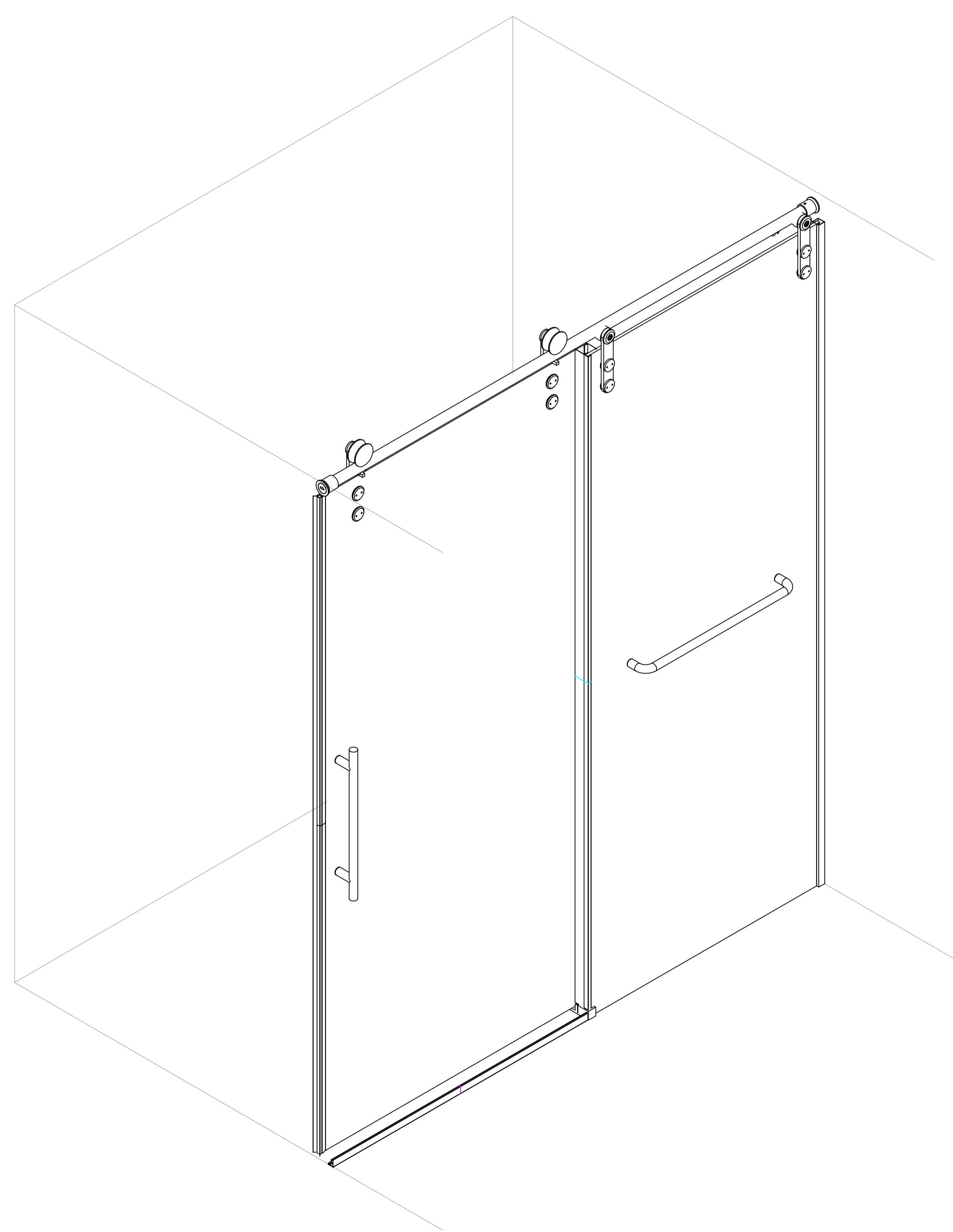
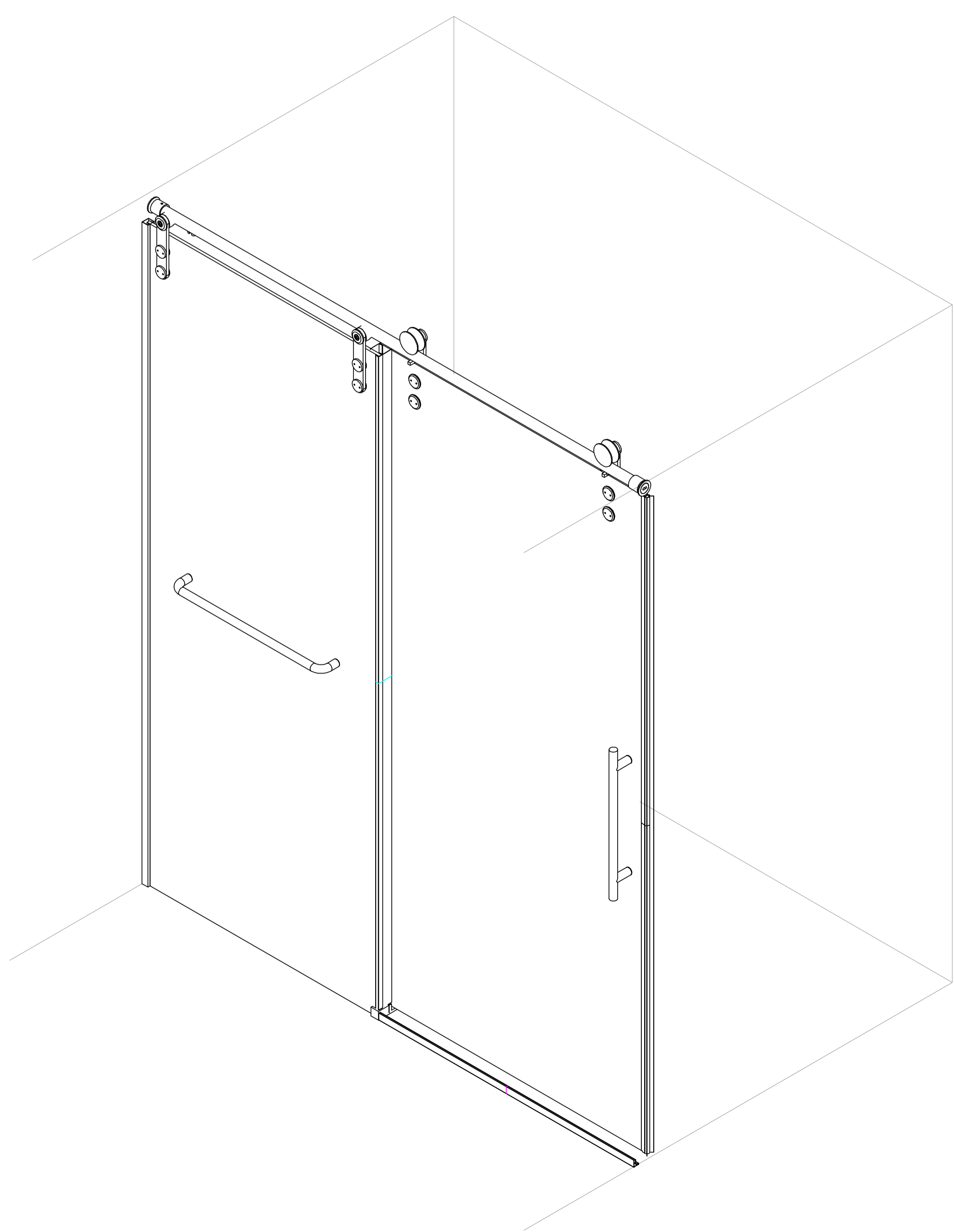
PARTS AND HARDWARE LISTING

| ITEM | NAME                       | QTY | PICTURE   |
|------|----------------------------|-----|---|
| 1    | Sliding Door               | 1   |    |
| 2    | Glass Panel                | 1   |    |
| 3    | Rail                       | 1   |    |
| 4    | Buffer                     | 2   |    |
| 5    | Lower Water Retaining Tape | 1   |    |
| 6    | Door Seal                  | 1   |   |
| 7    | Side Seal                  | 2   |  |
| 8    | Handle                     | 1   |  |
| 9    | Dowel Bar                  | 1   |  |
| 10   | Glass Panel Hangers        | 2   |  |
| 11   | Roller                     | 2   |  |
| 12   | Guide Block                | 1   |  |
| 13   | Wall Bracket               | 2   |  |
| 14   | Glass Panel Wall Profile   | 1   |  |
| 15   |                            |     |   |
| 16   |                            |     |   |
| 17   |                            |     |   |
| 18   |                            |     |   |
| 19   |                            |     |   |
| 20   |                            |     |   |
| 21   |                            |     |   |

Overall Installation displaying



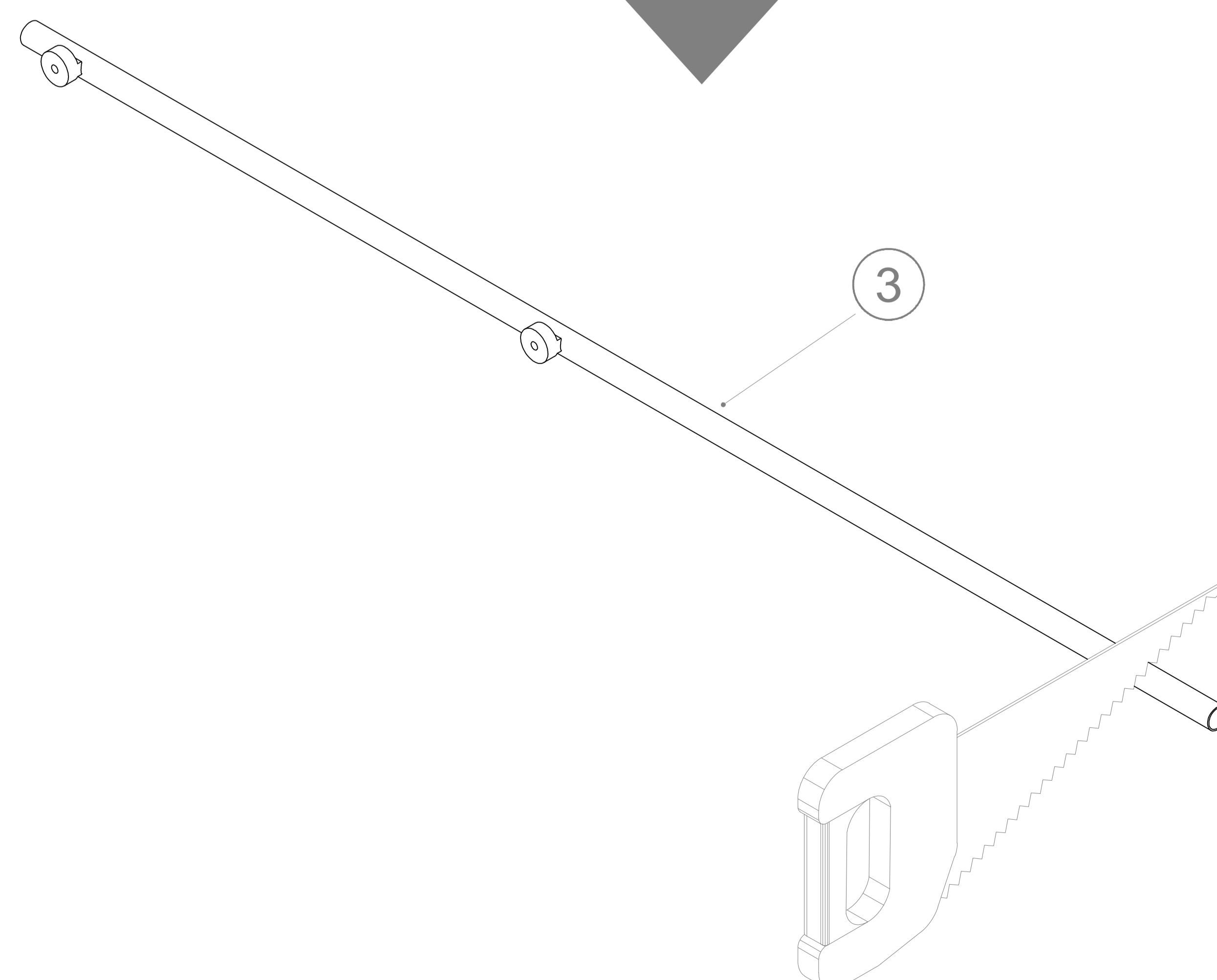
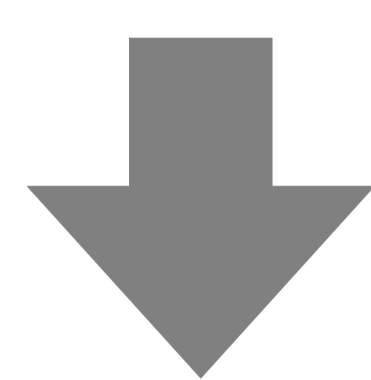
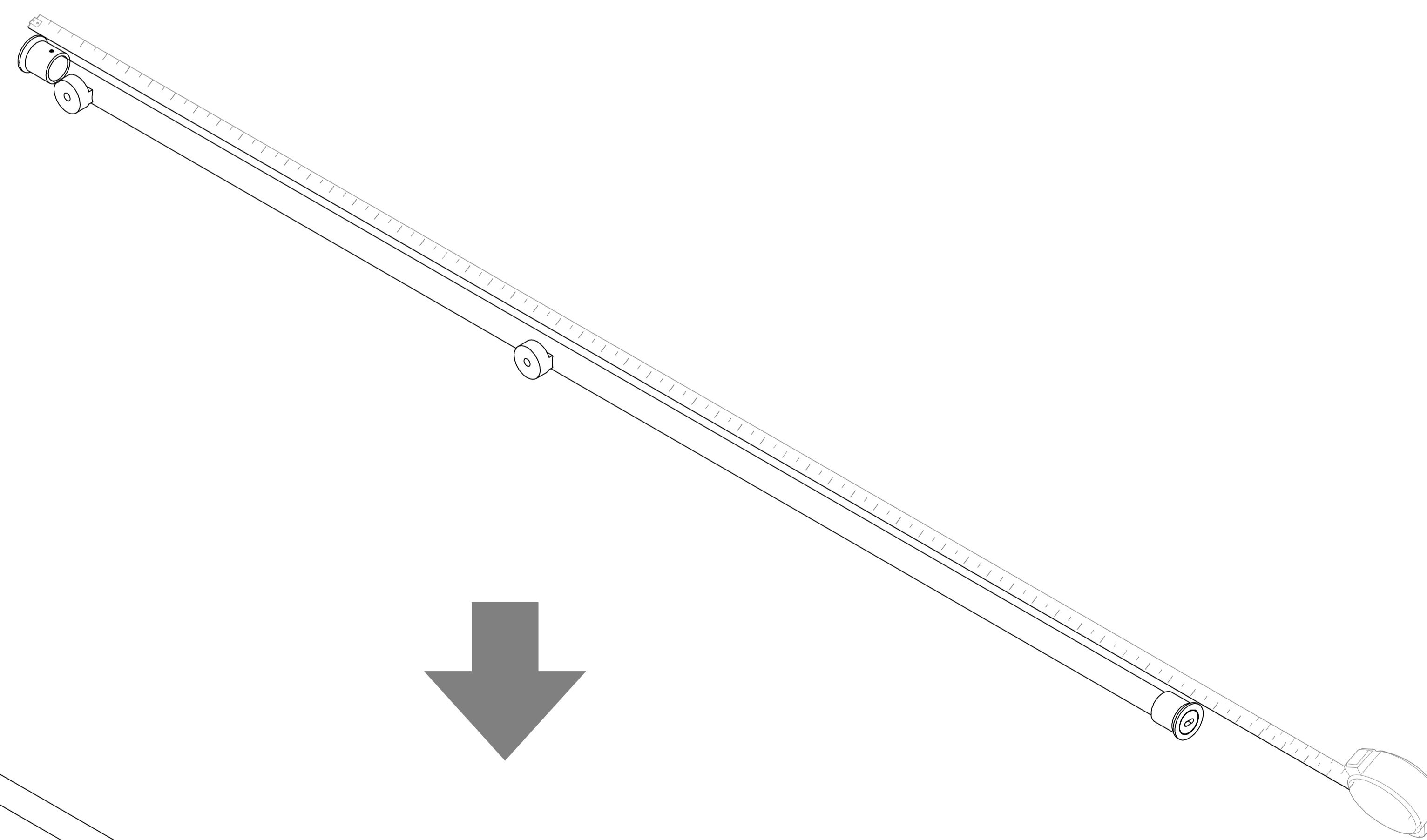
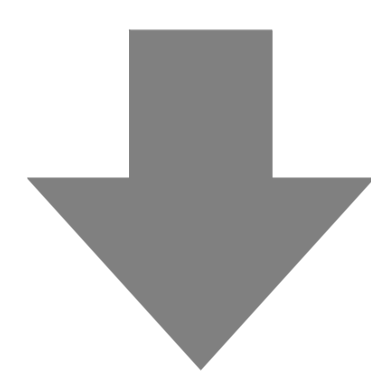
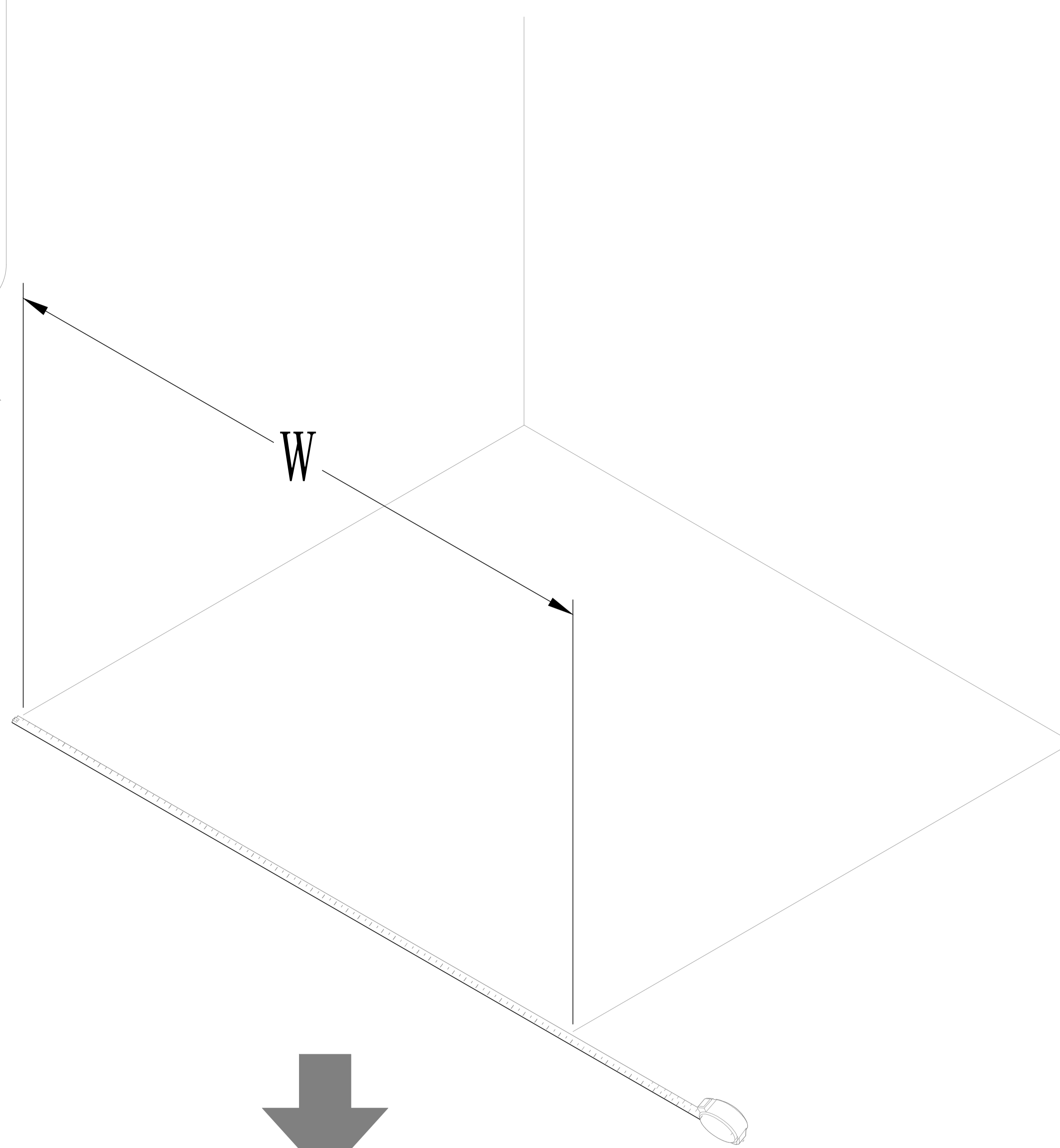
Installation effect diagram of shower enclosure



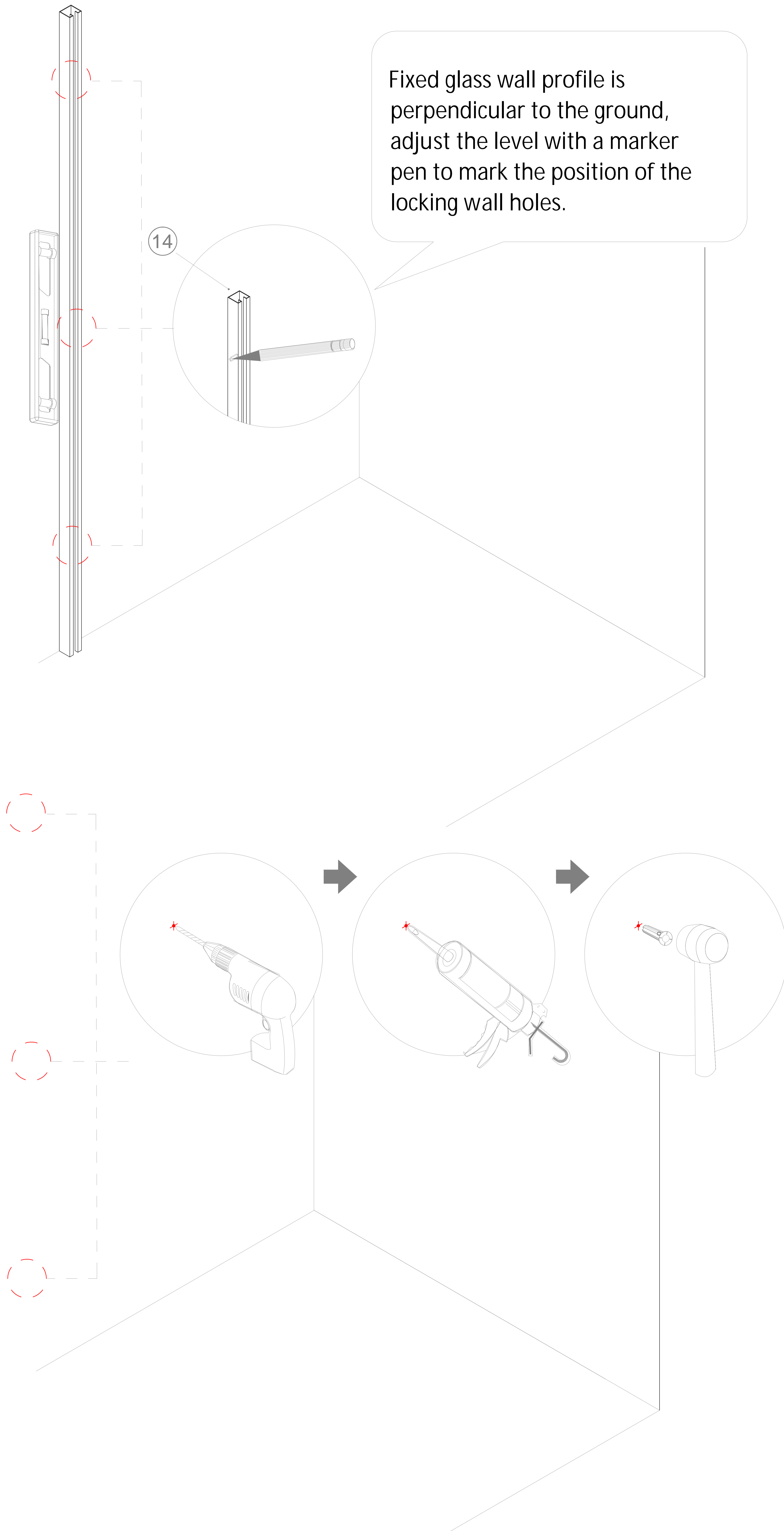
Installation effect diagram of side panel

Measure the width of the site and cut the top rail according to the width of the site.

Measure the width of the product installation site

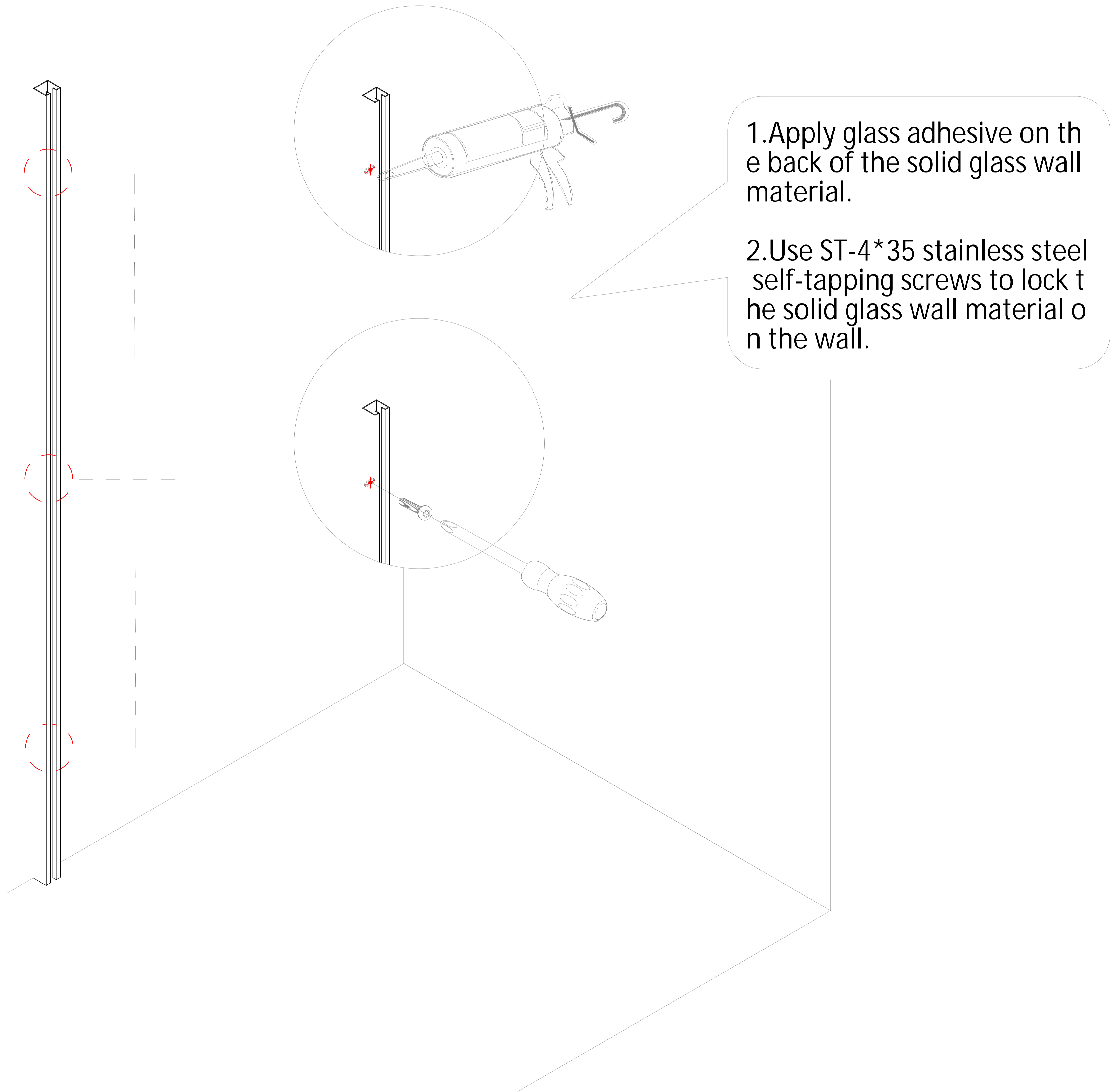


STEP-1: Marking the wall locking holes of solid glass wall material and drilling holes.

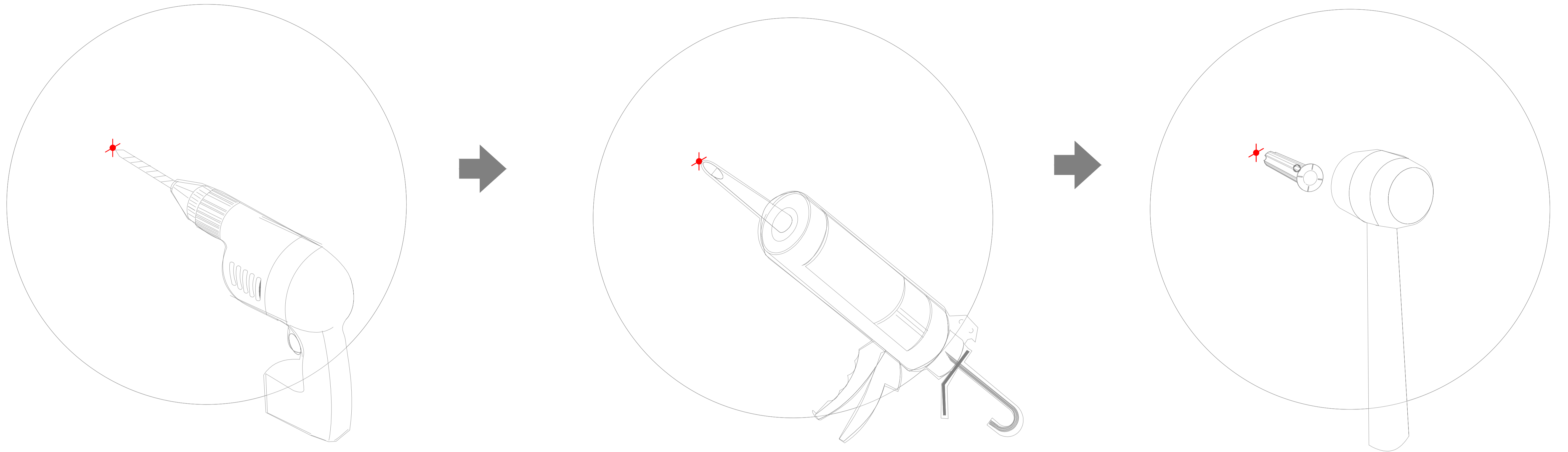




## Step 2: Installation of solid glass wall profile



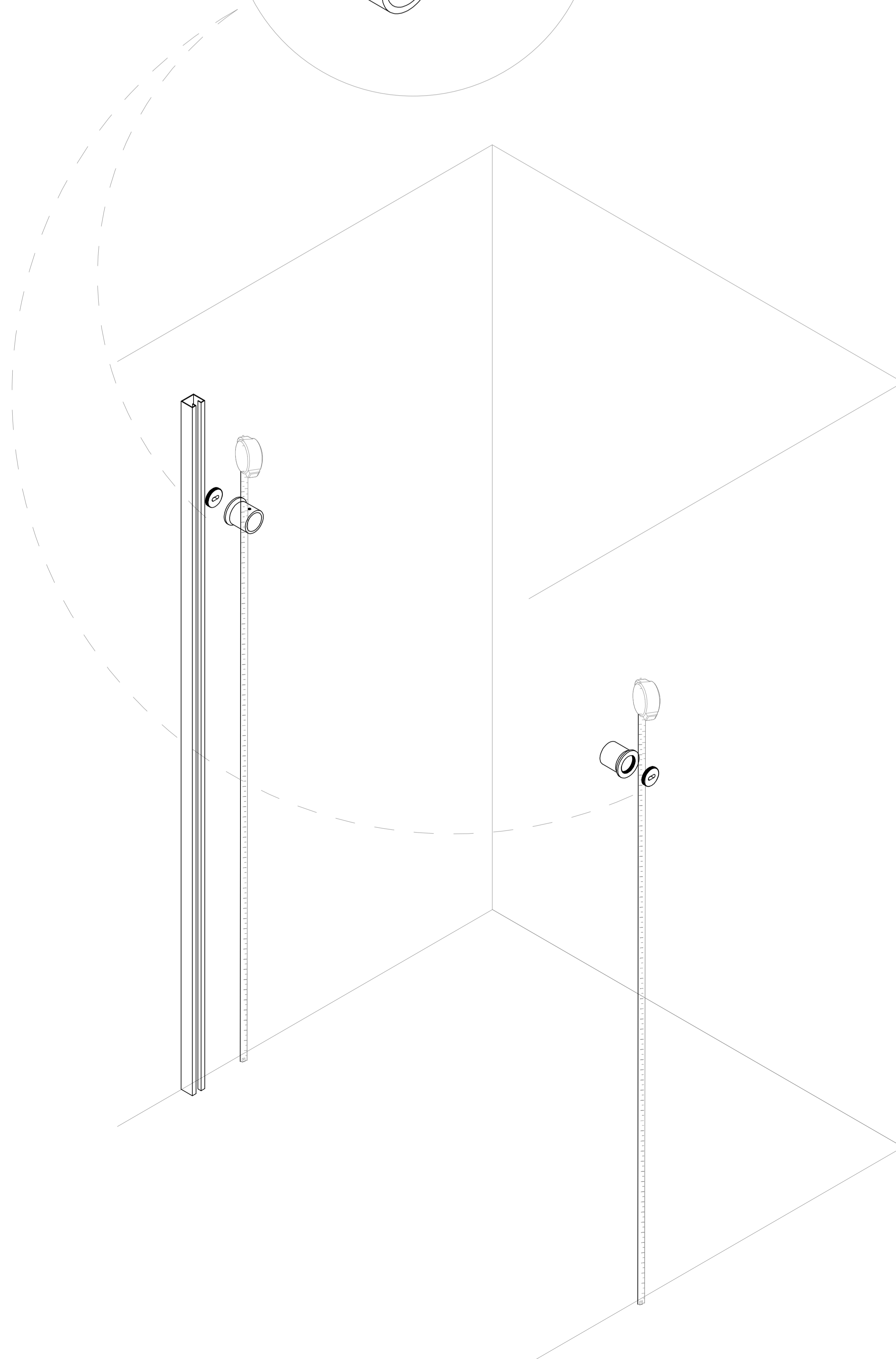
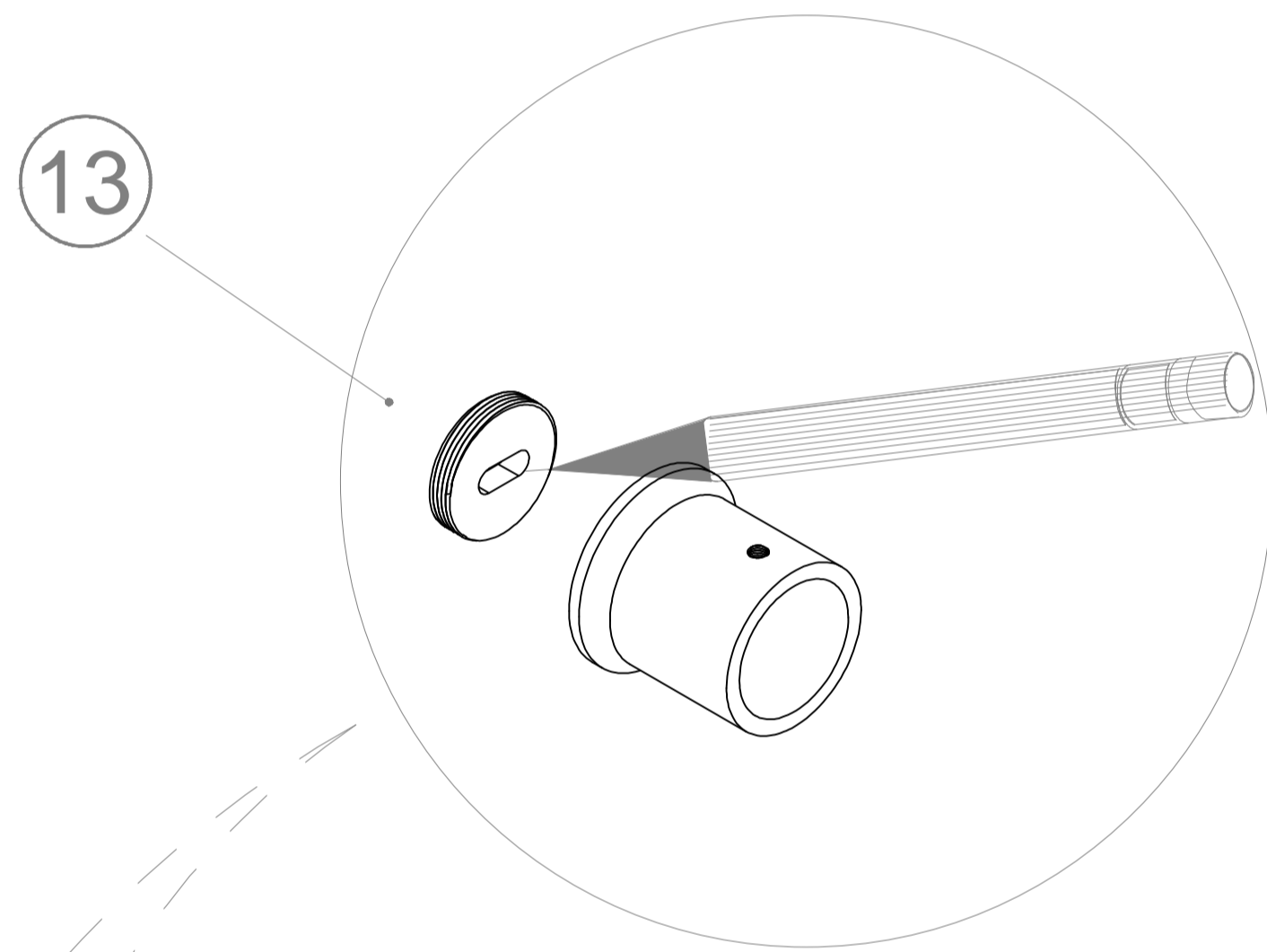
STEP-3: Marking and drilling the holes for the lock wall holder



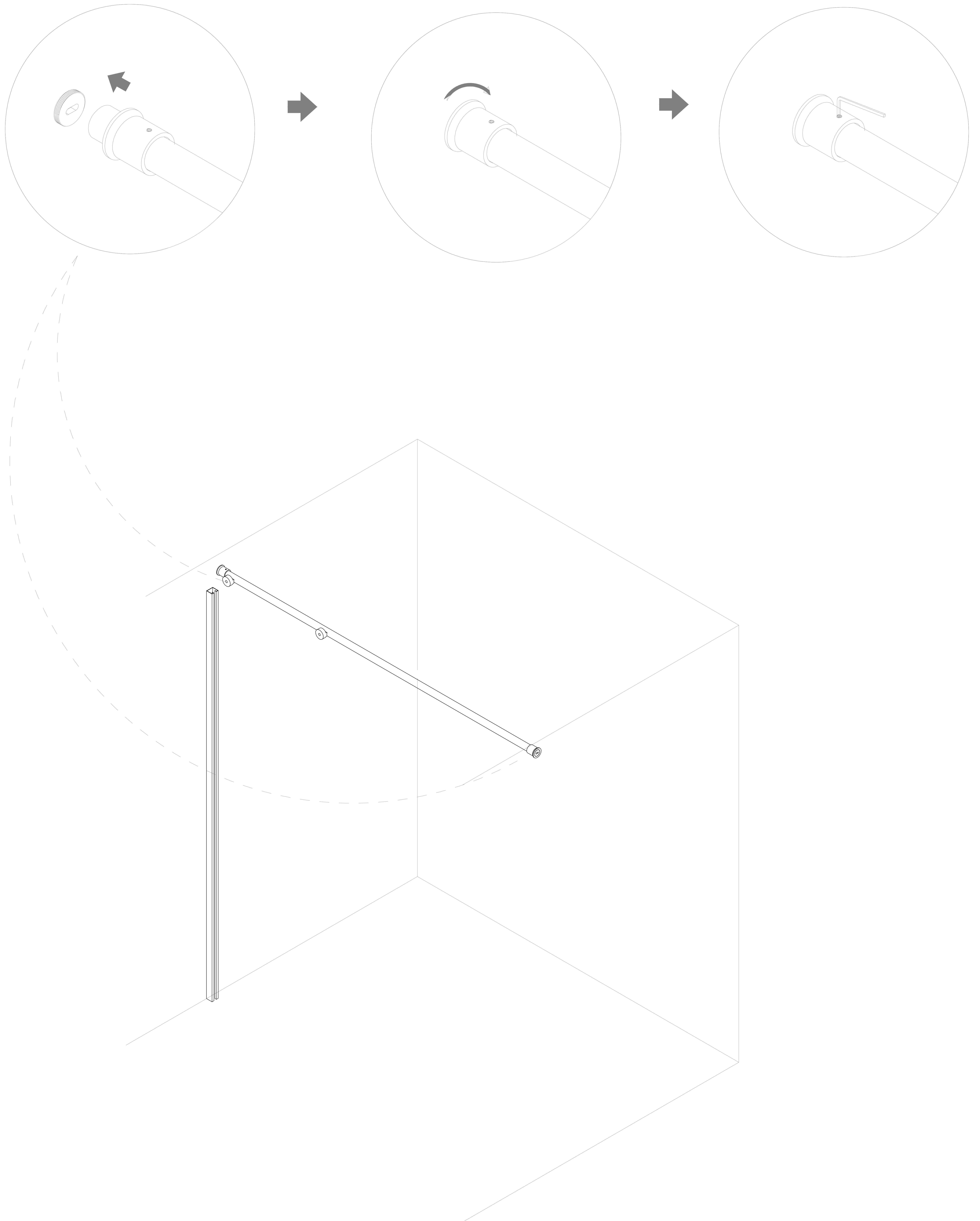
Only installing the Measure the vertical height, place the lock wall seat, and mark the hole location.



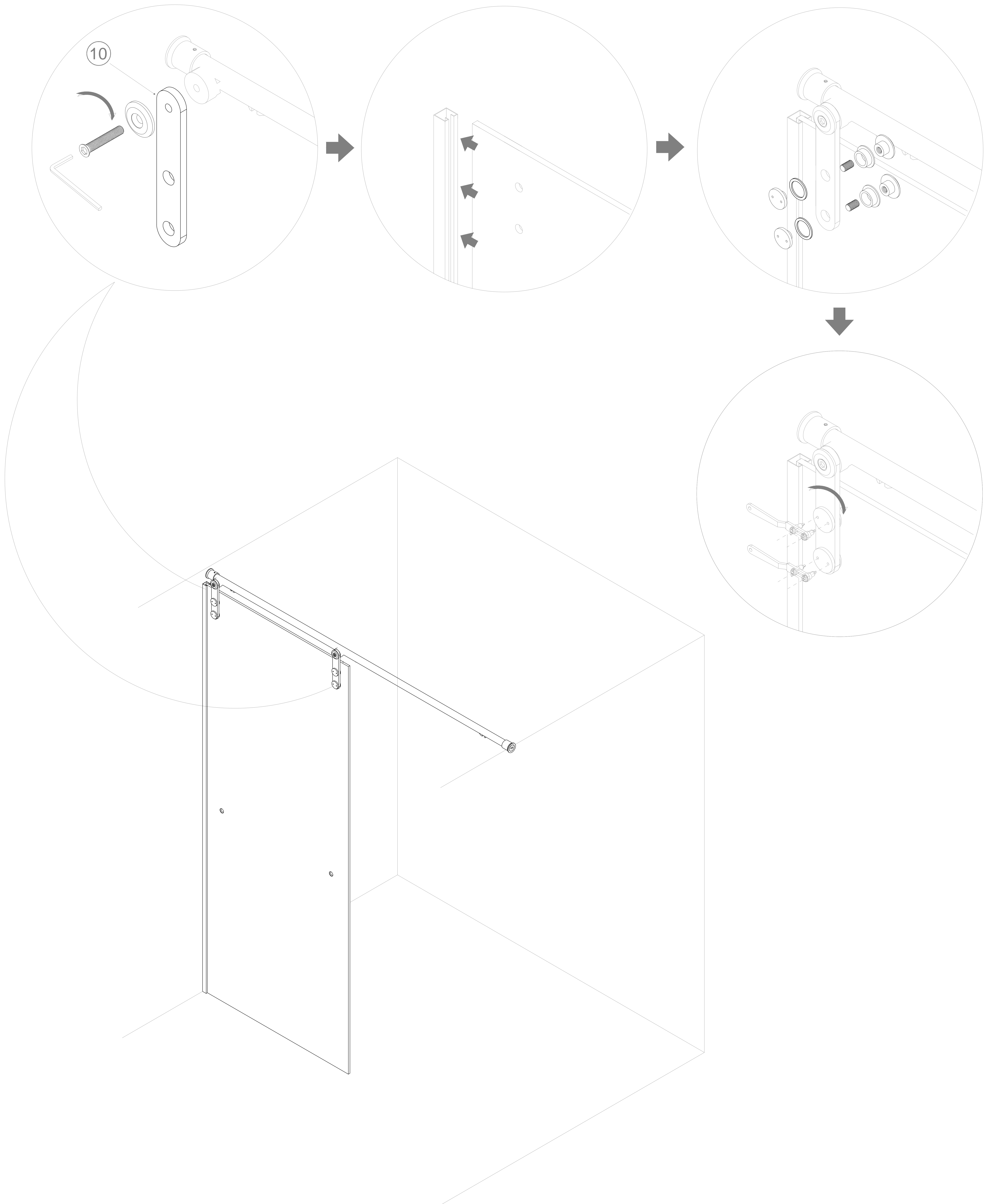
13



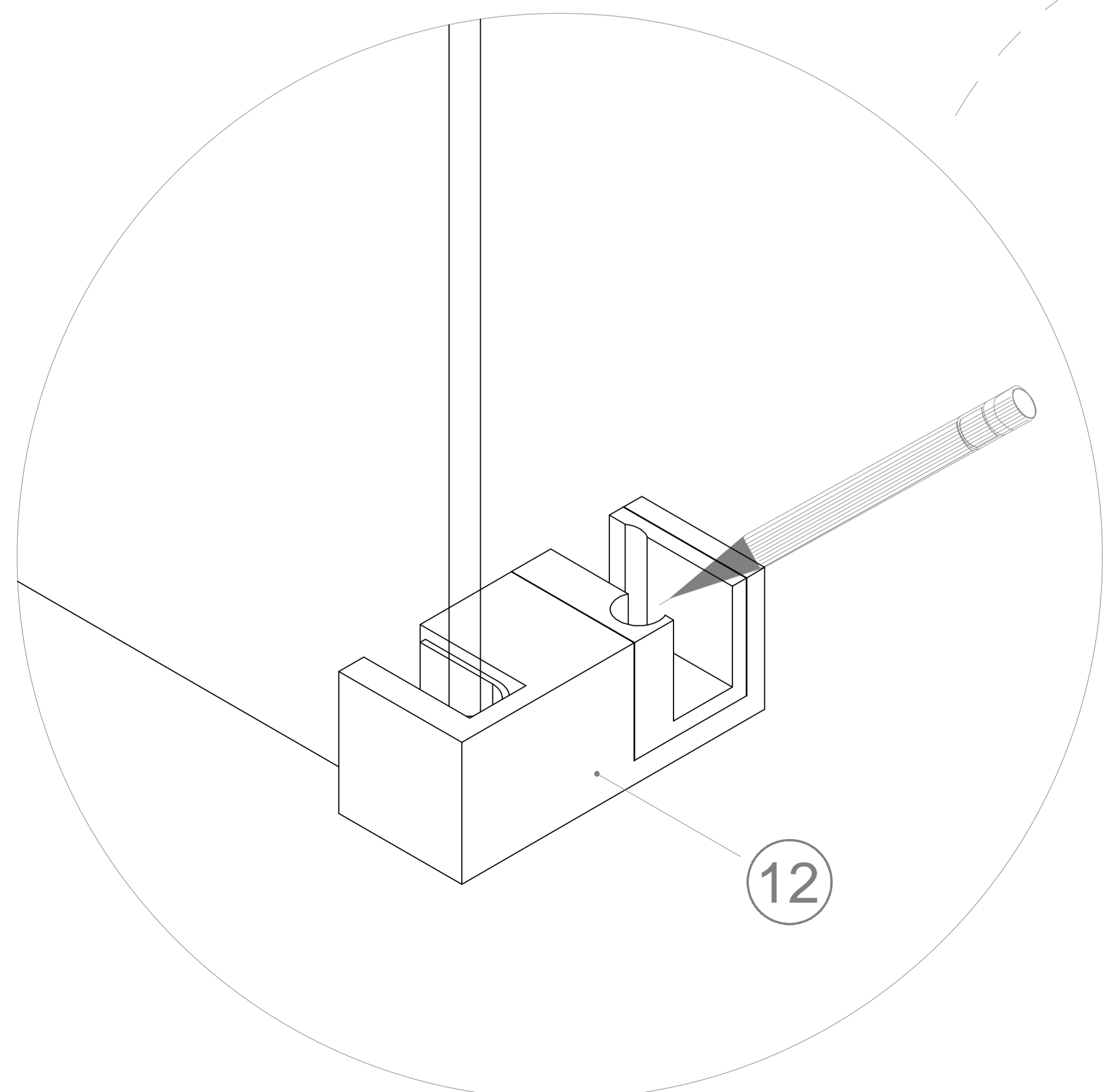
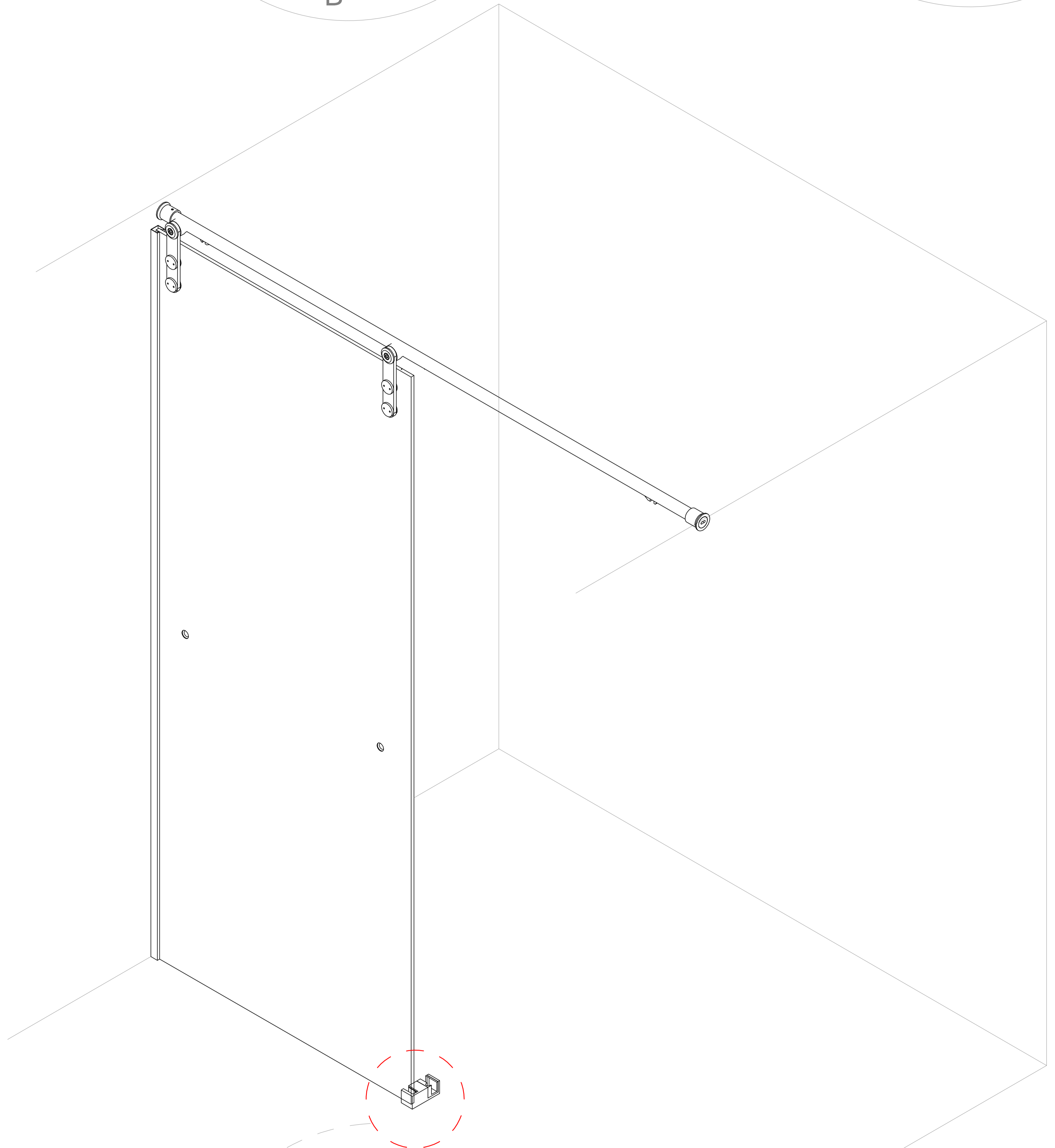
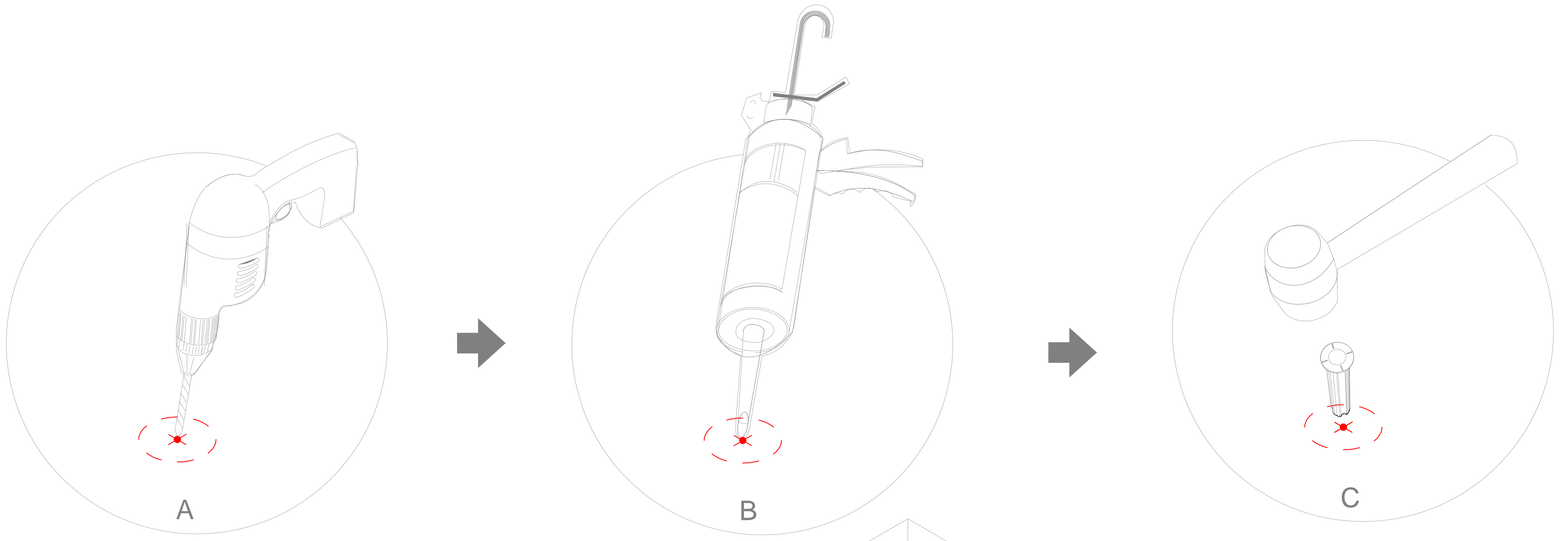
STEP-4: Installation of Locking Wall Mount and Upper Rail



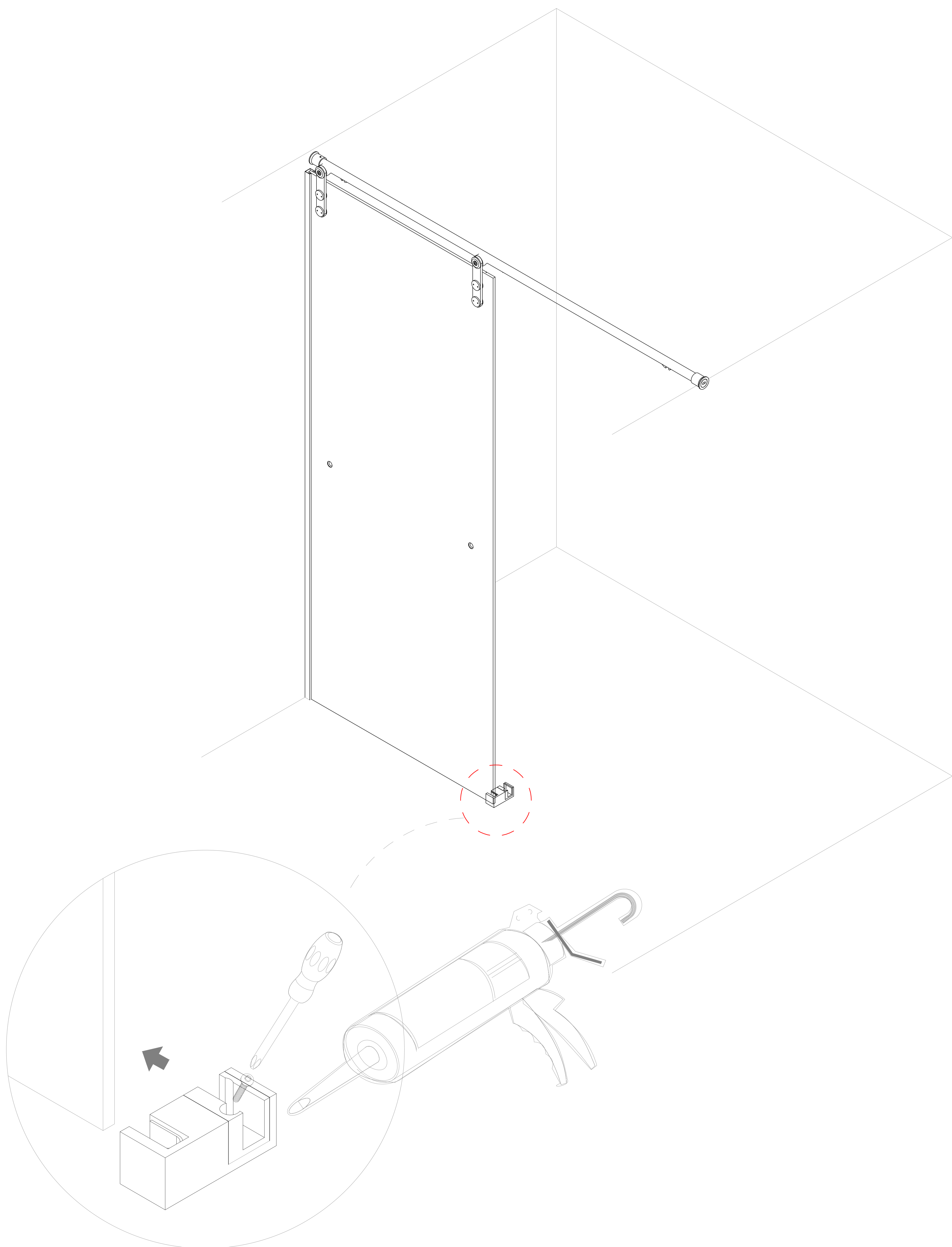
STEP-5: Installation of fixed glass



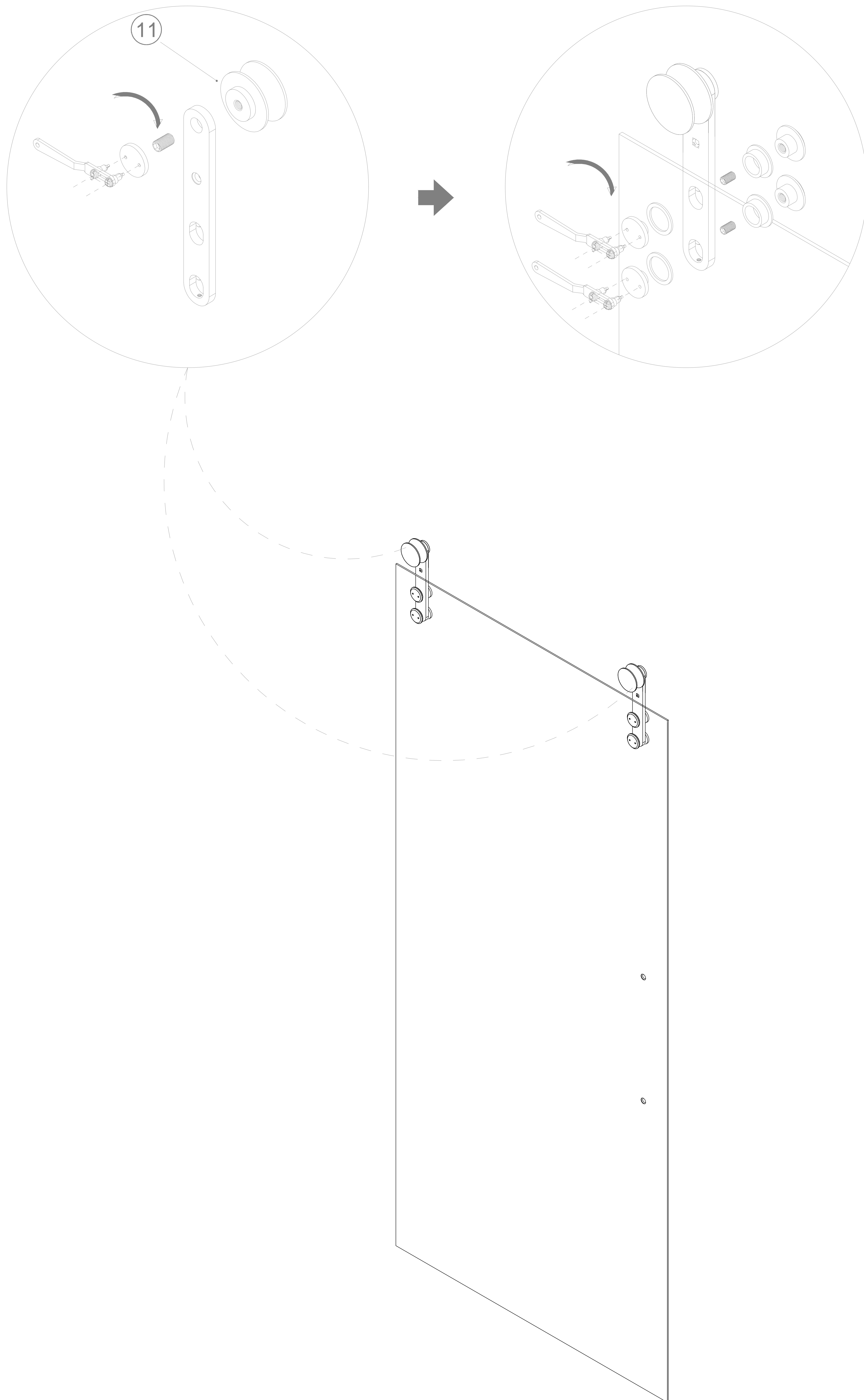
STEP-6: Marking of guide block holes and drilling of holes



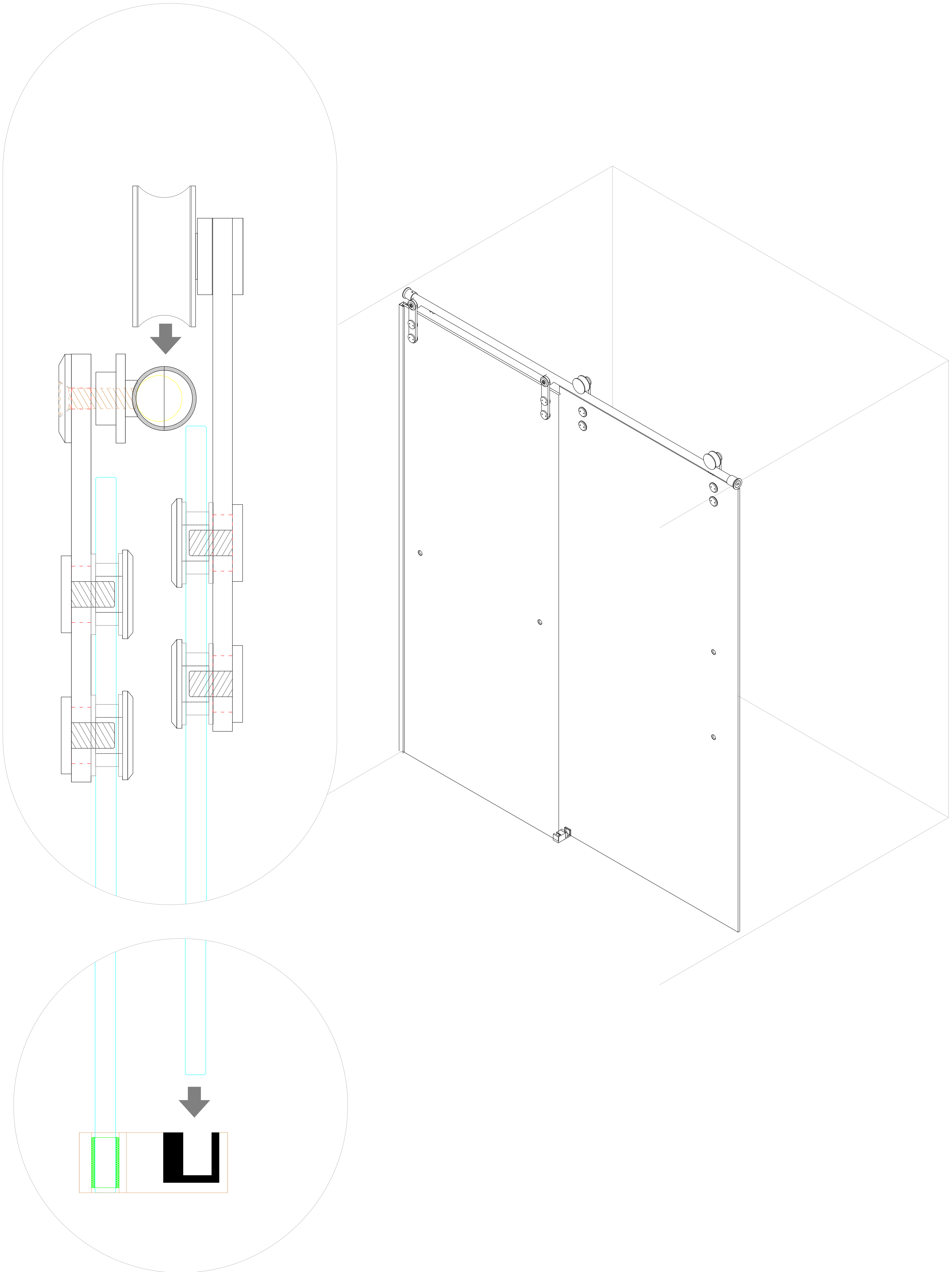
STEP-7: Installation of guide block



STEP-8: Installation of pulleys on door glass

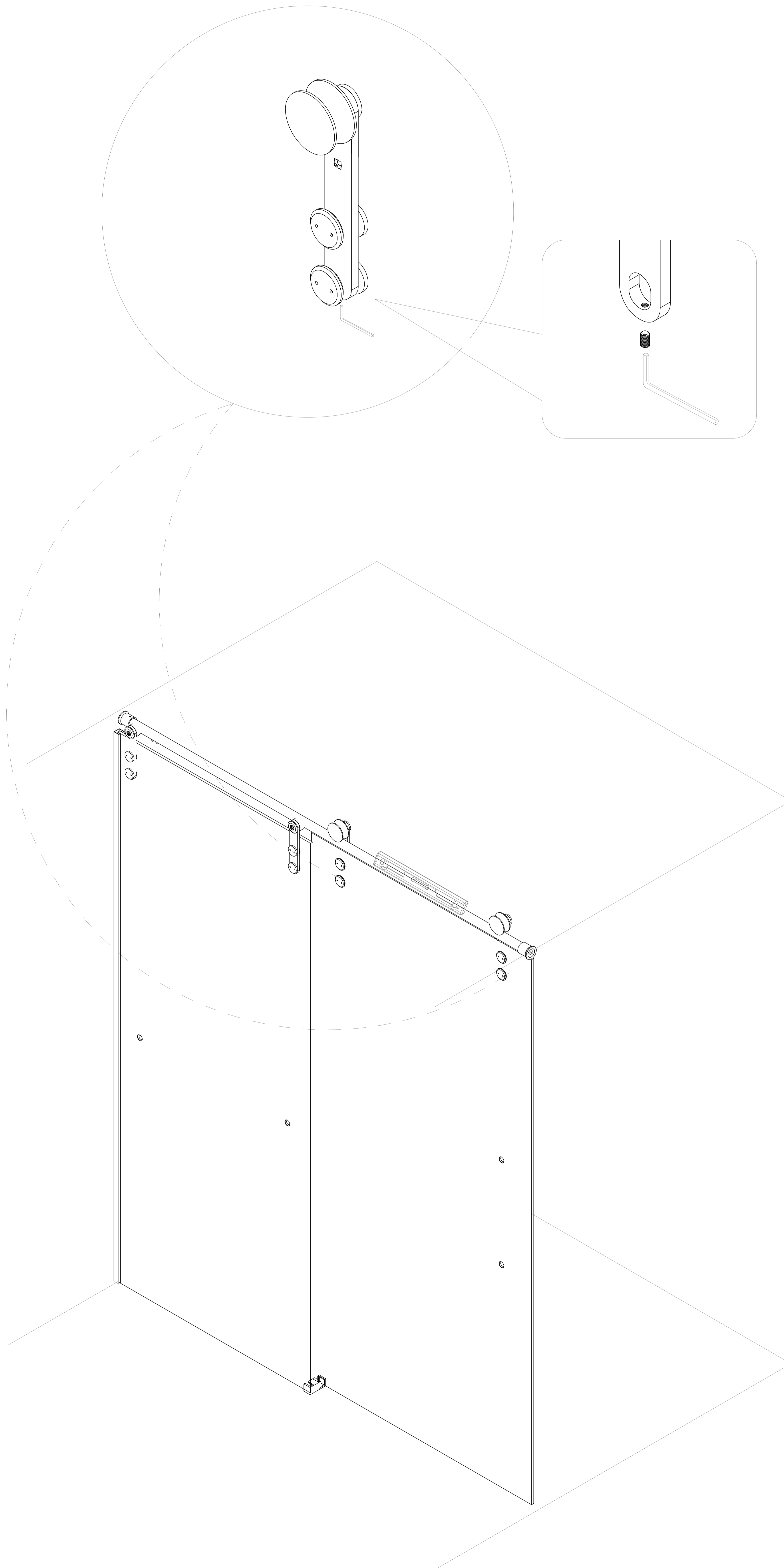


STEP-9: Installation of door glass

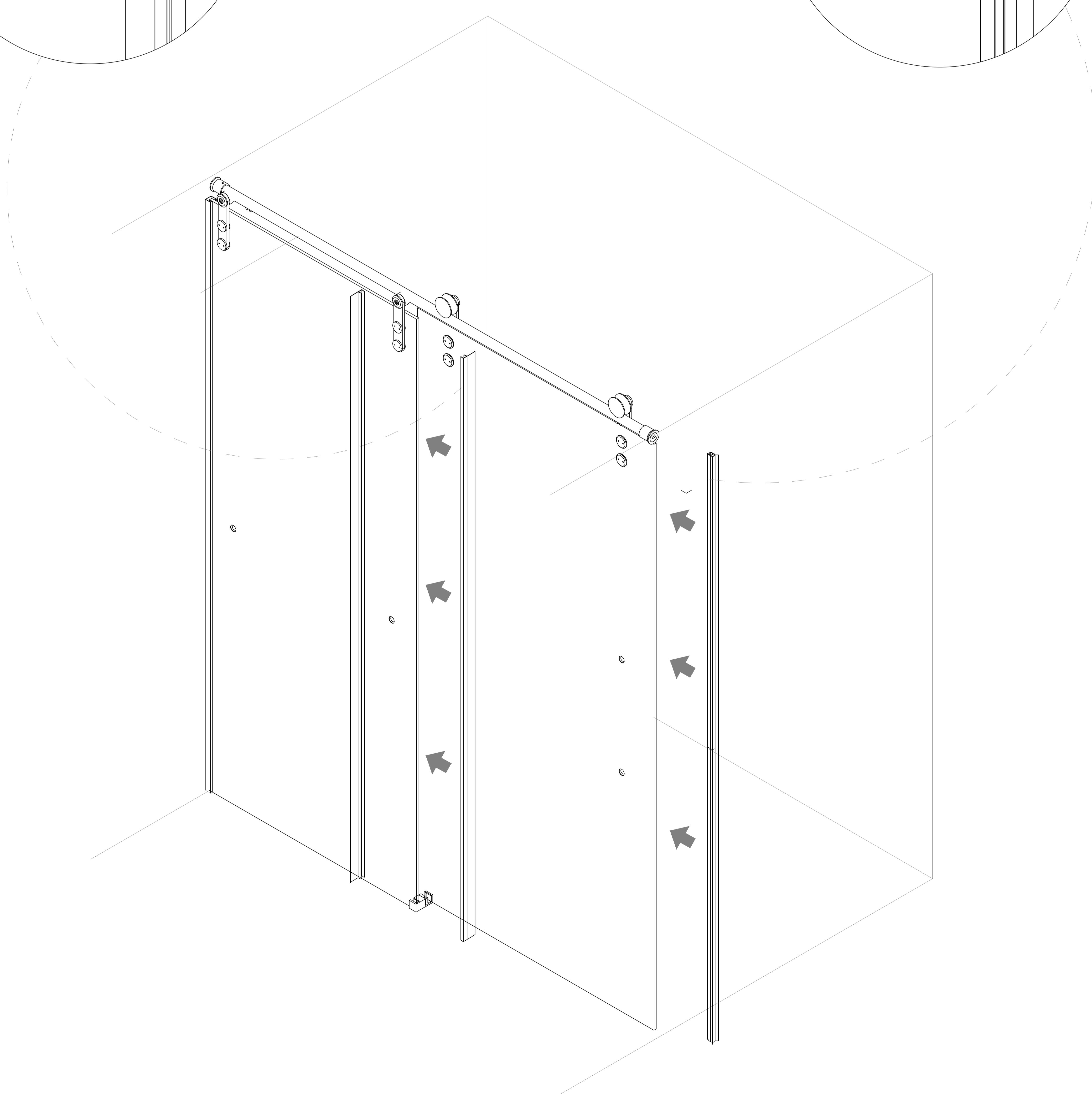
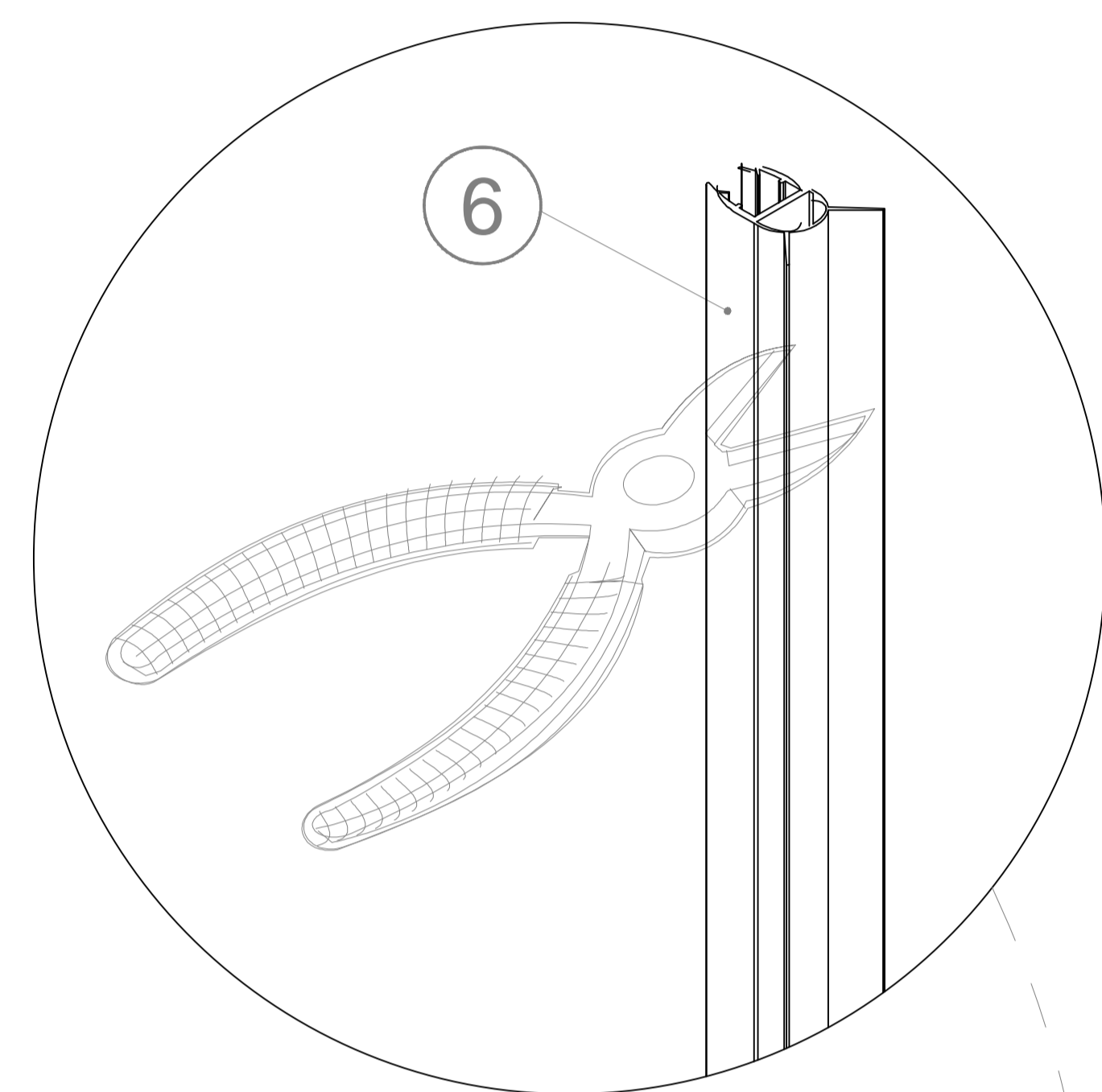
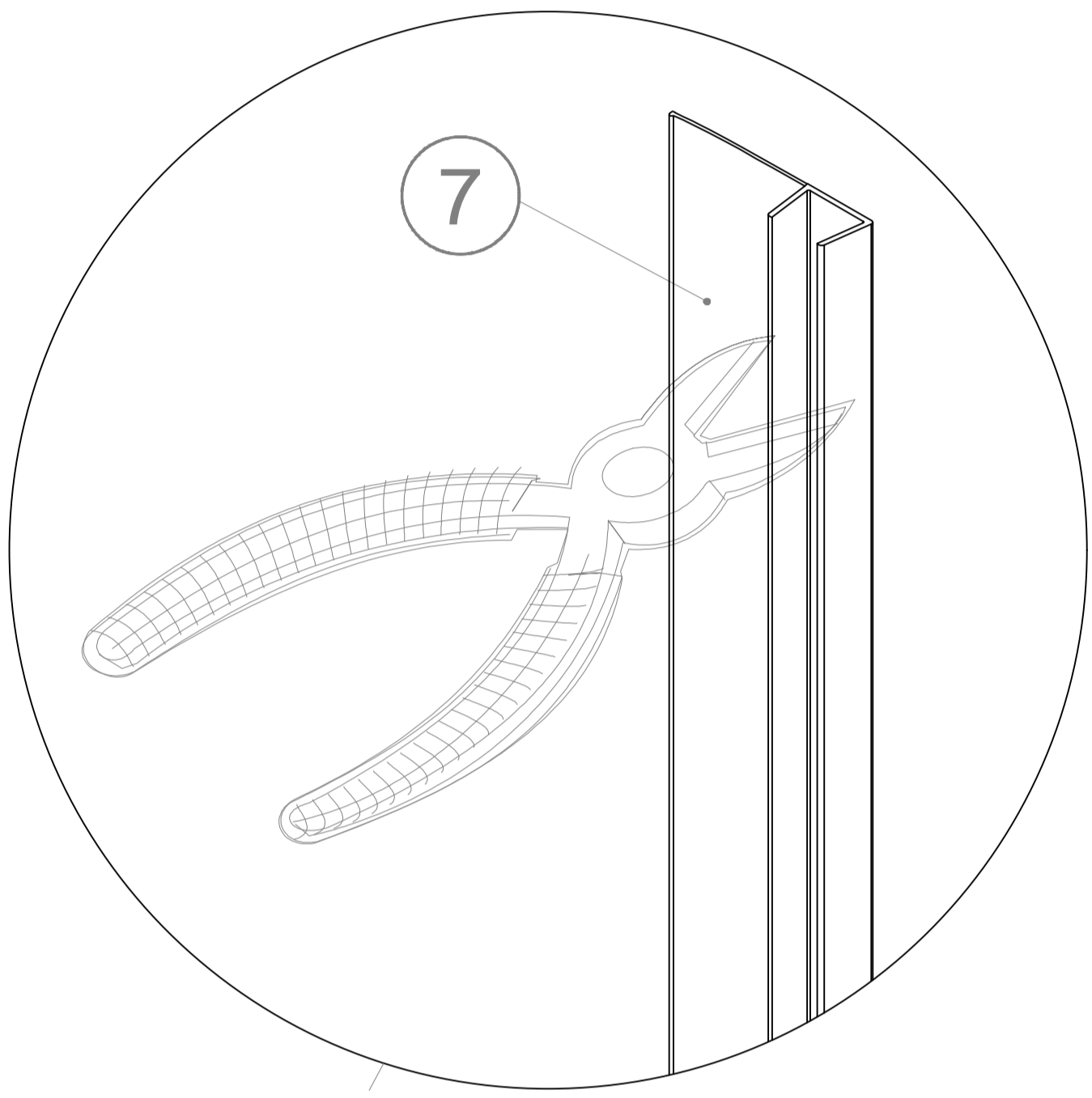
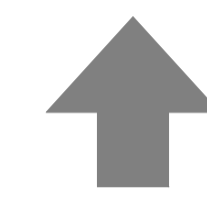
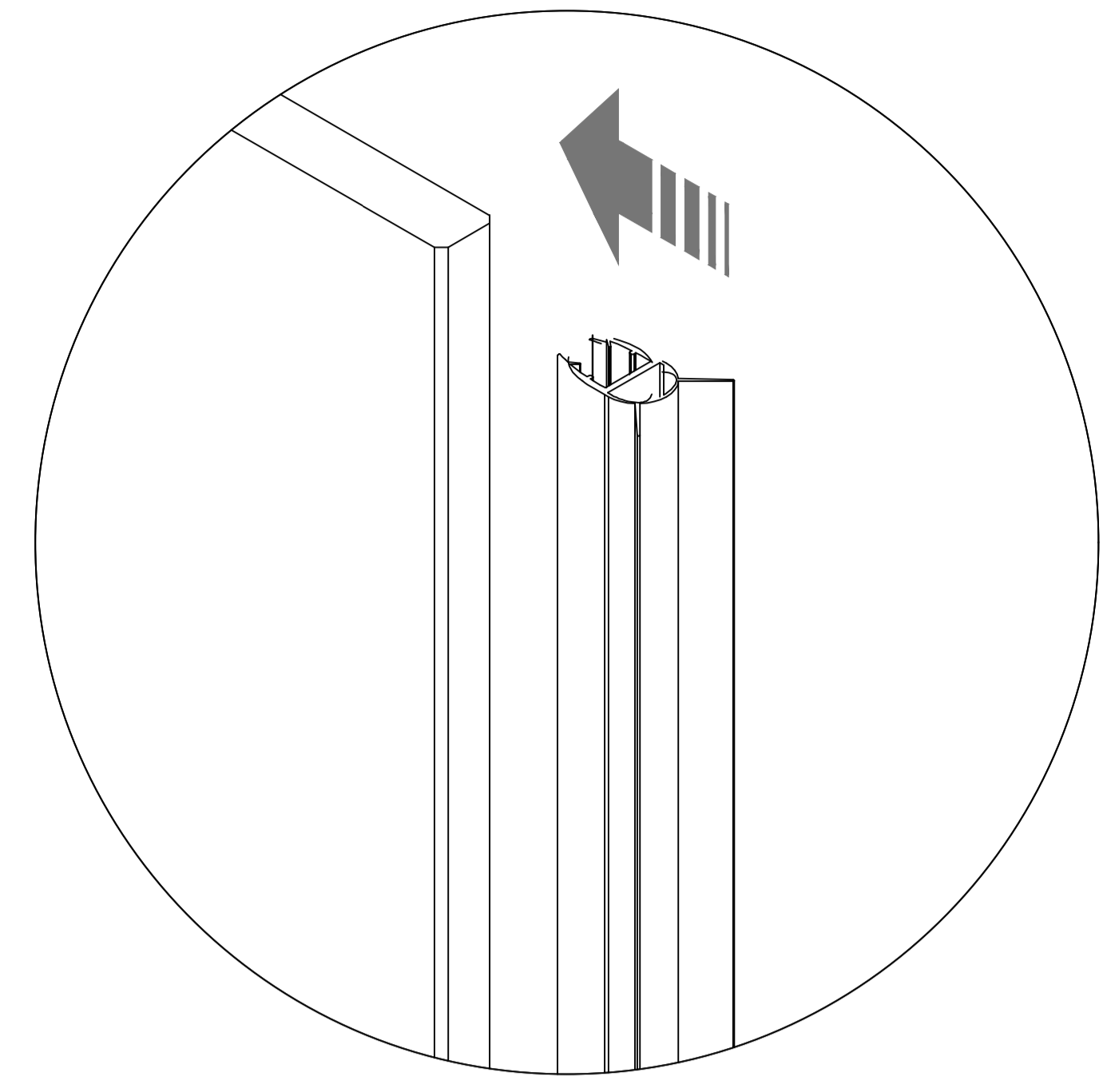
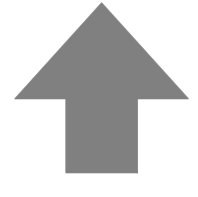
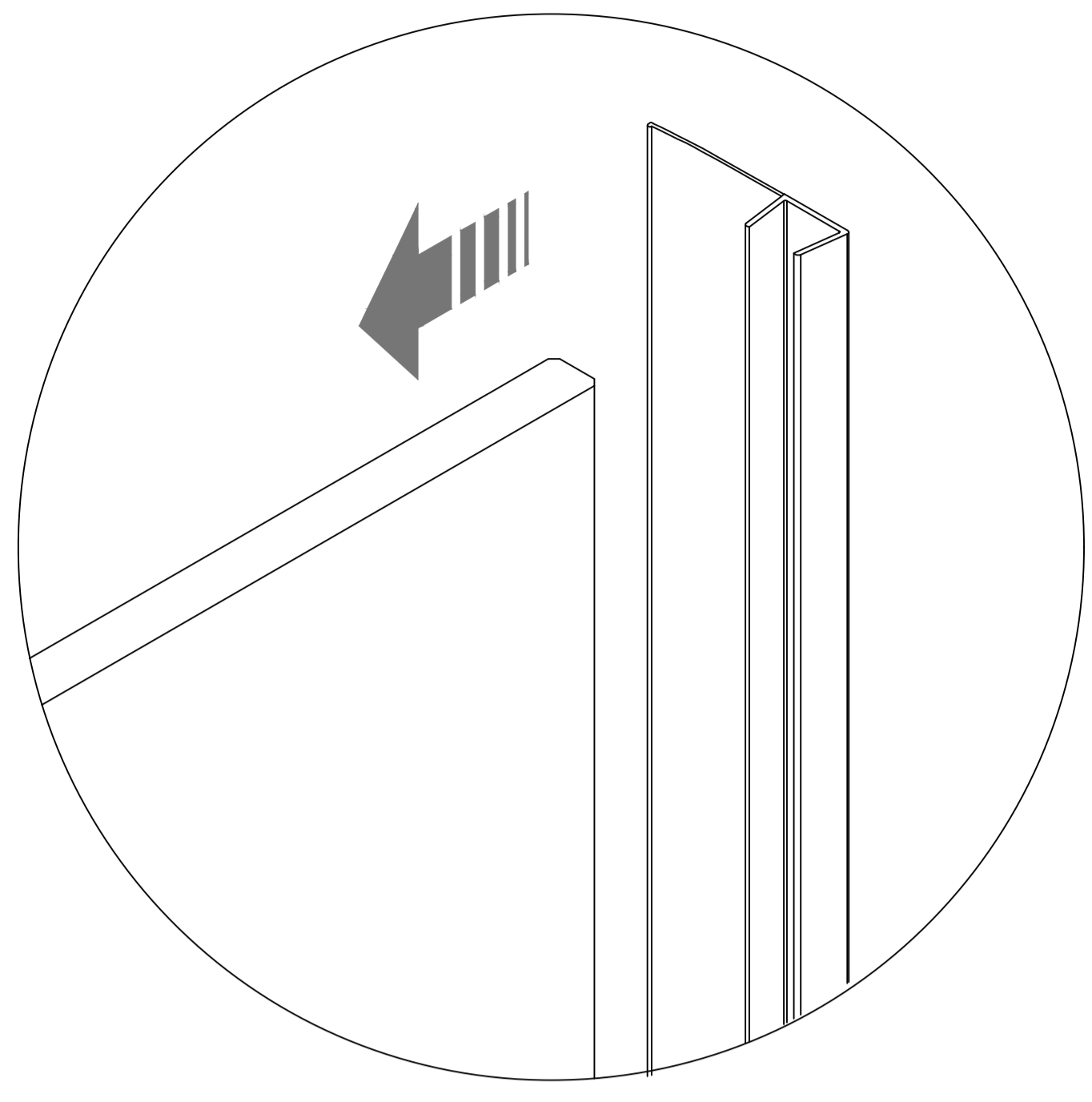




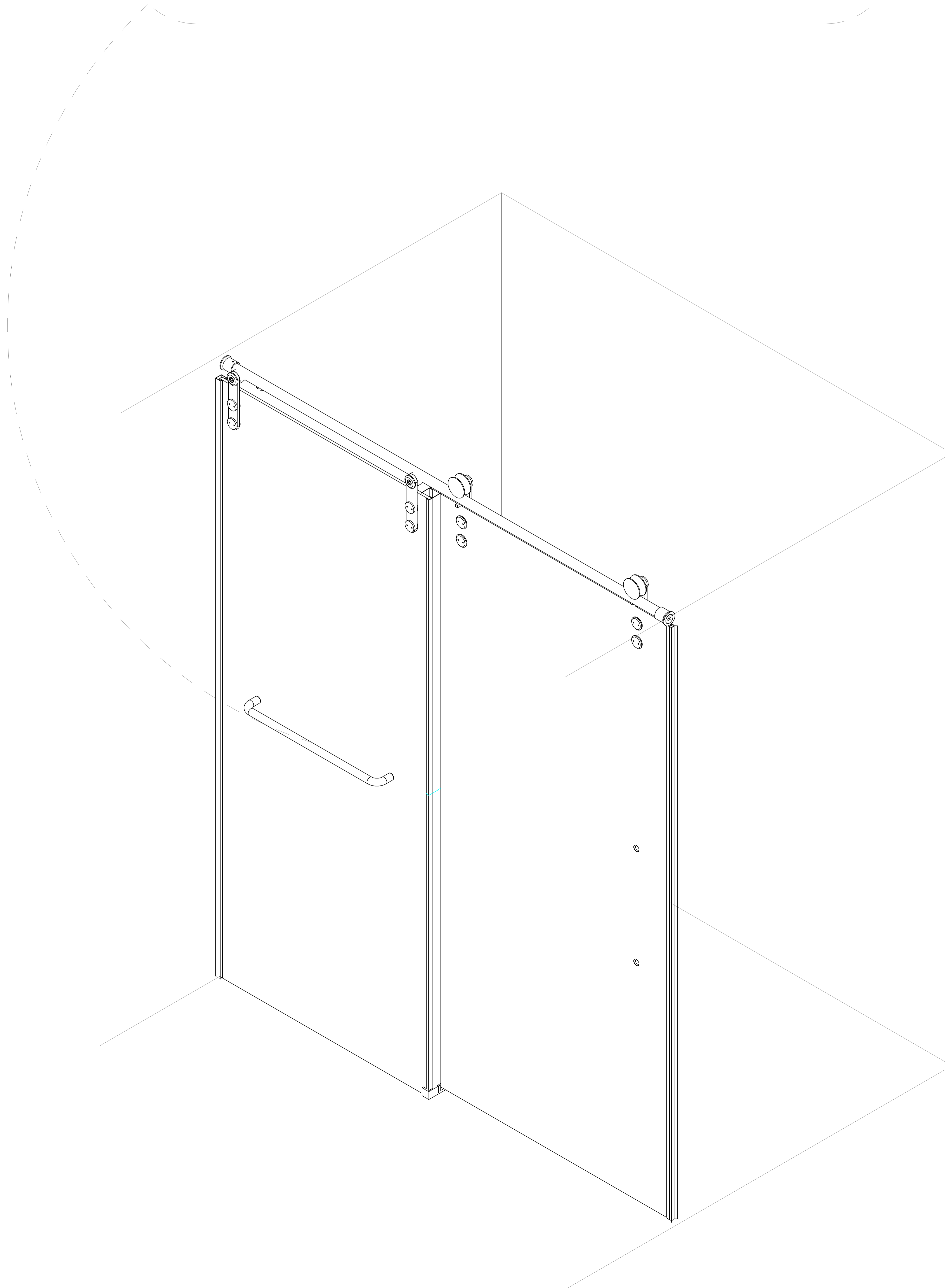
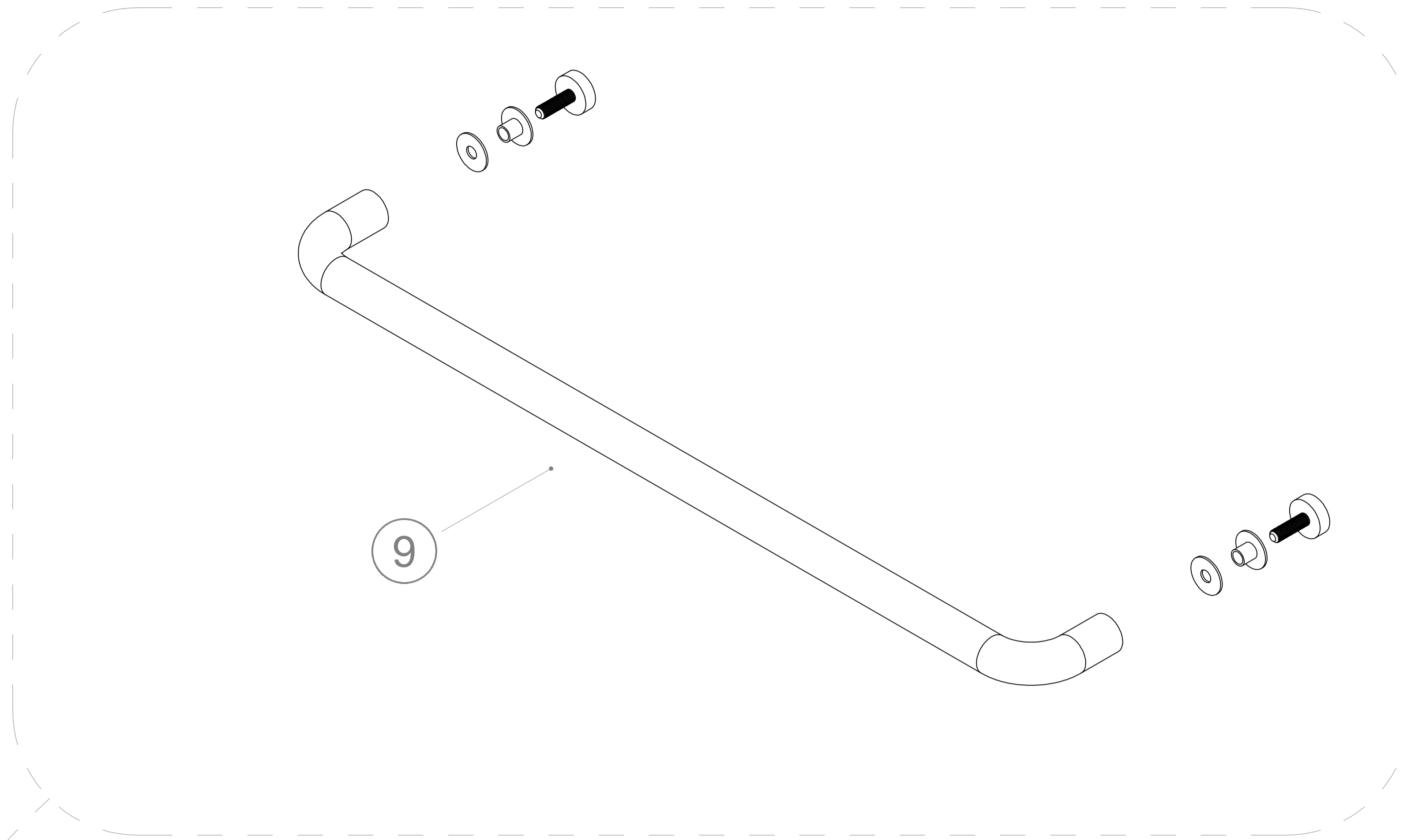
STEP-10: Adjust door glass leveling



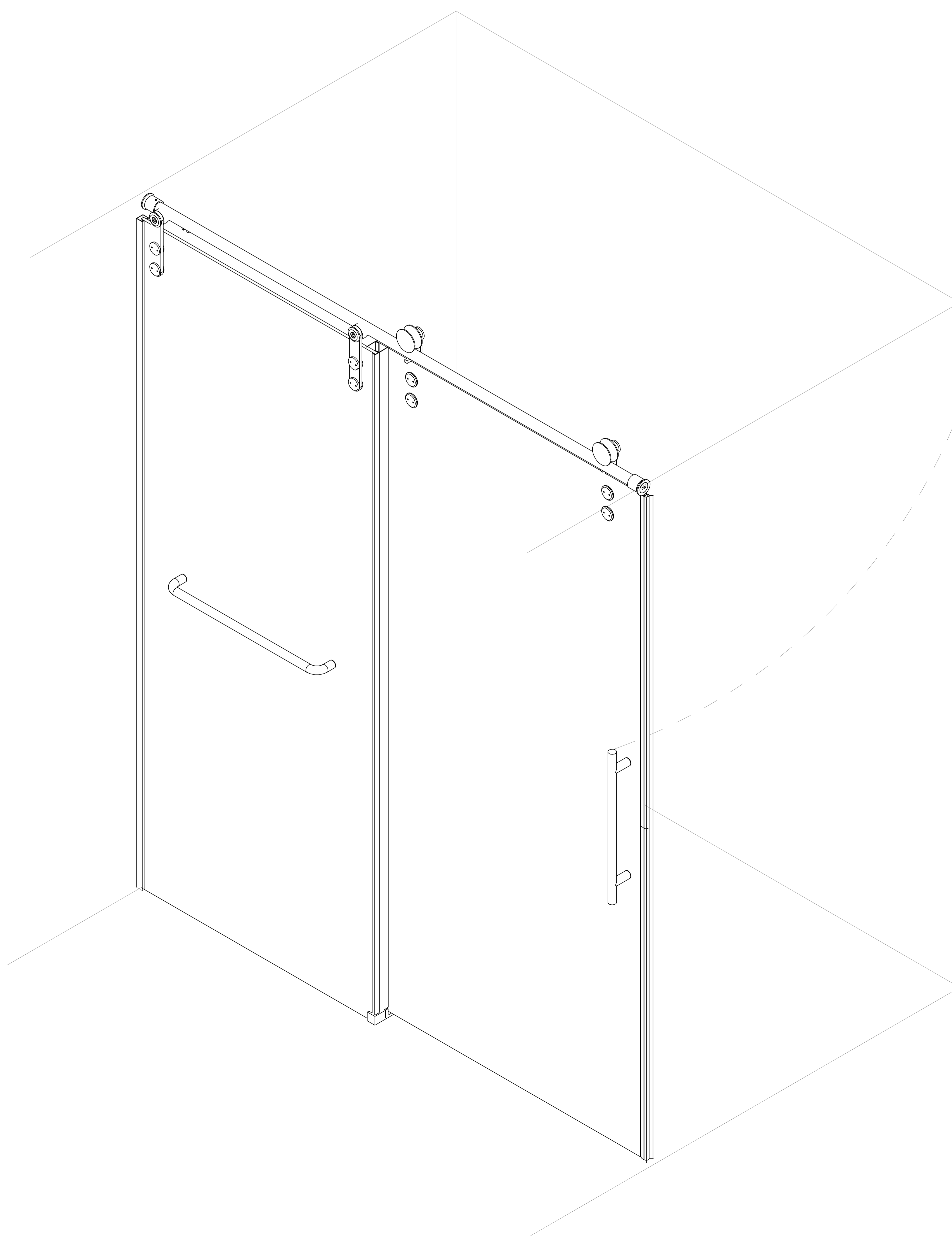
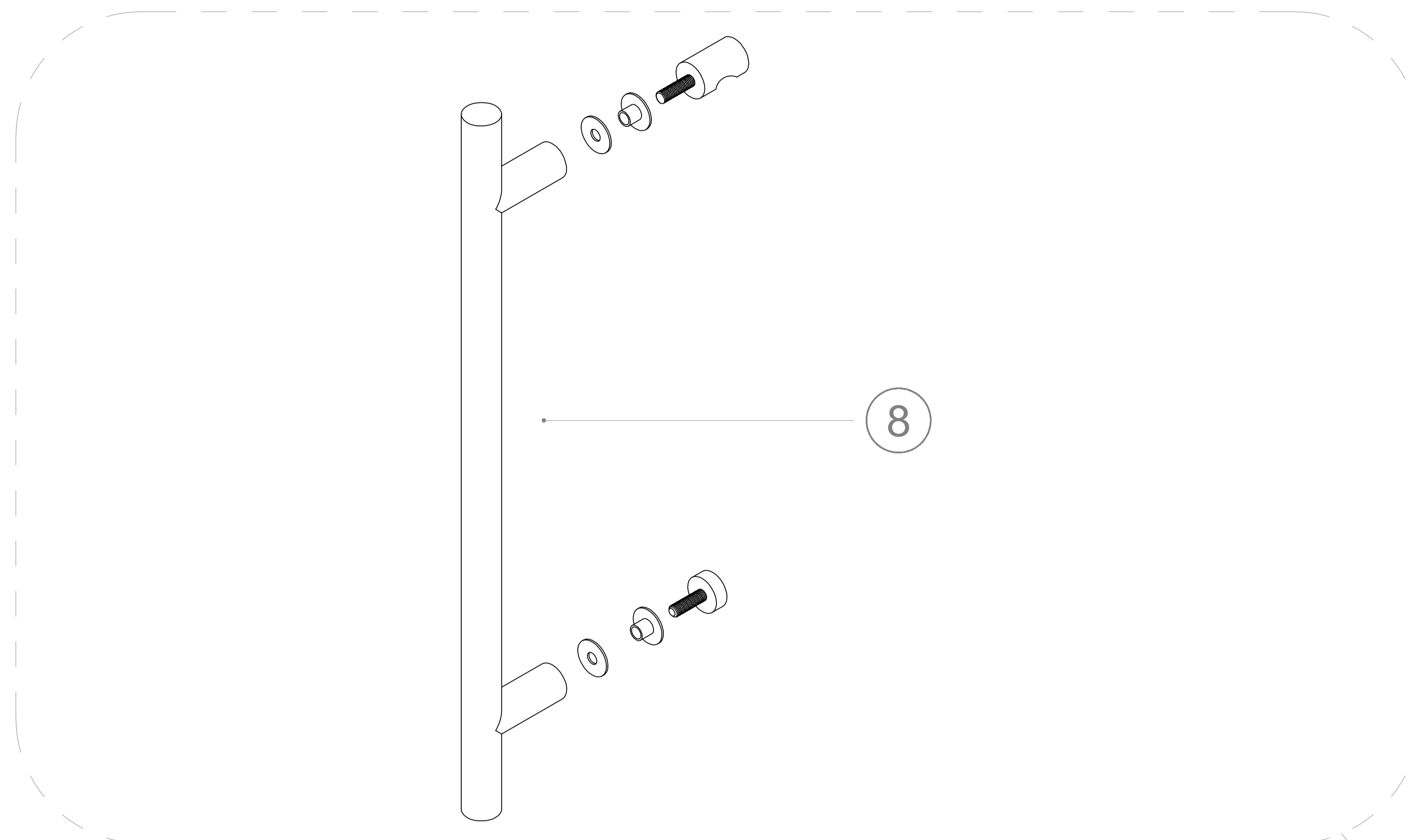
STEP-11: Installation of adhesive tape



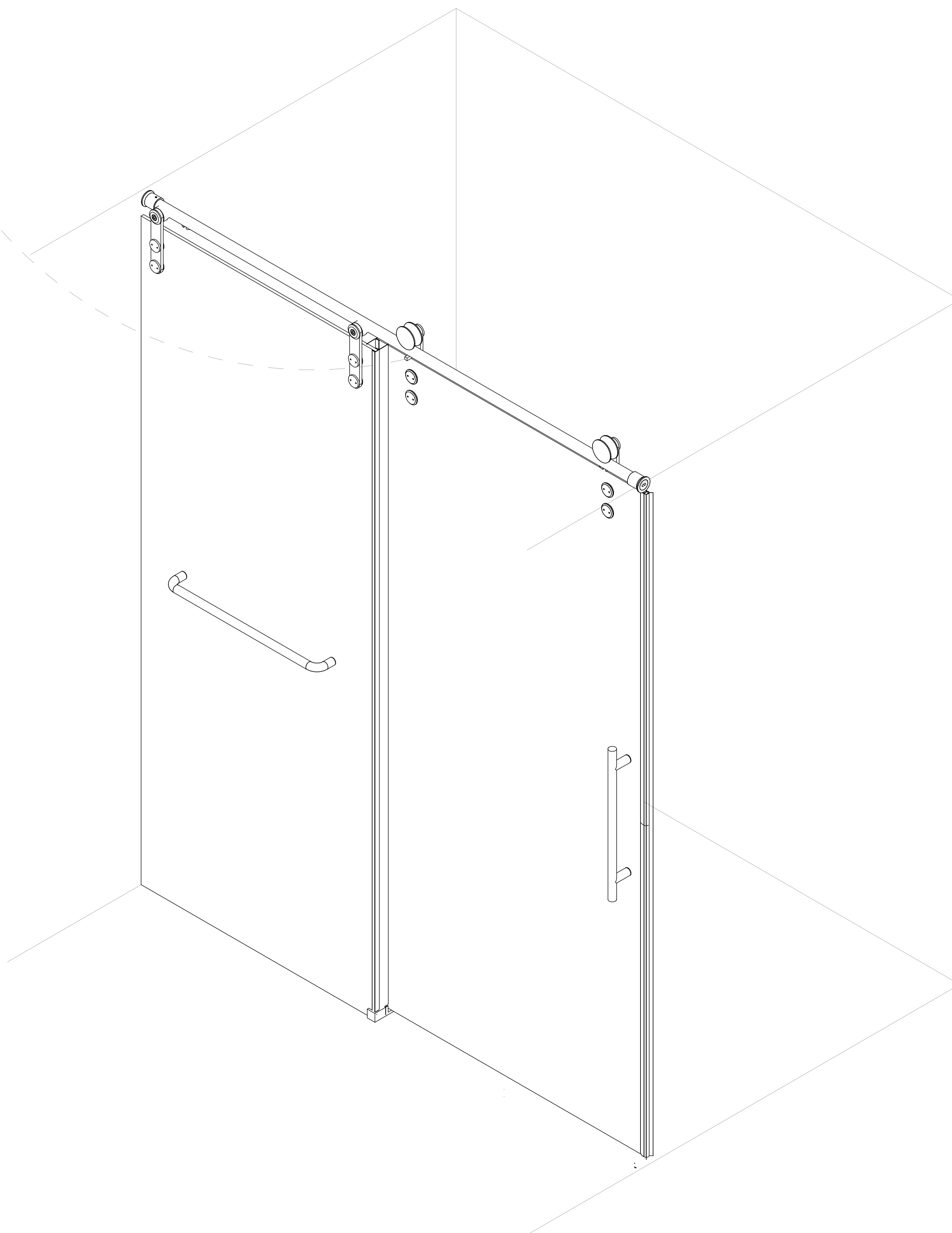
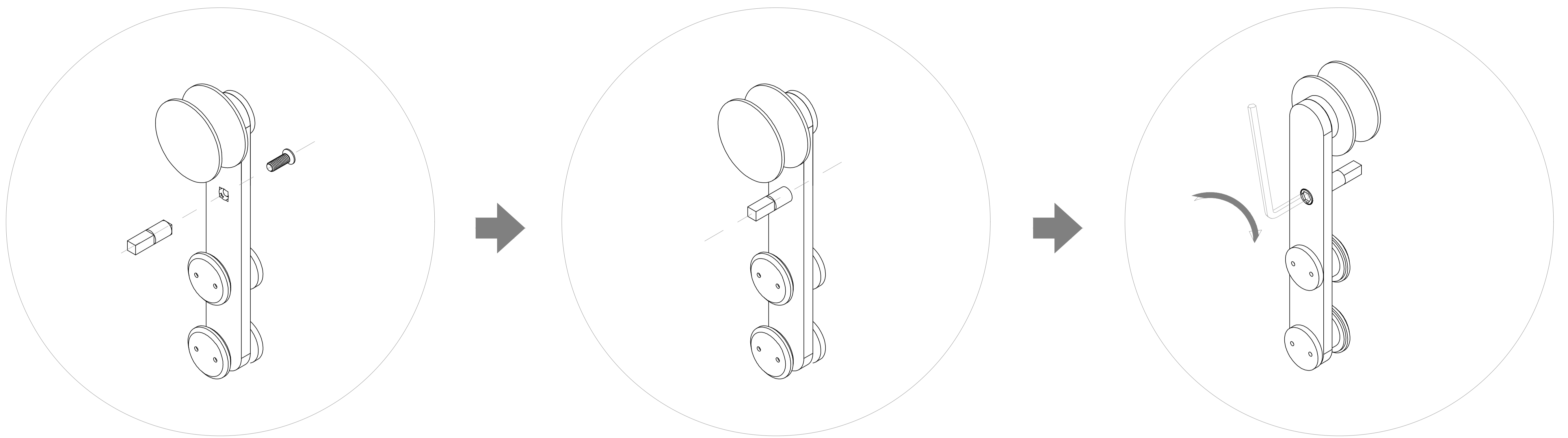
STEP-12: Installation of towel bar on fixed glass



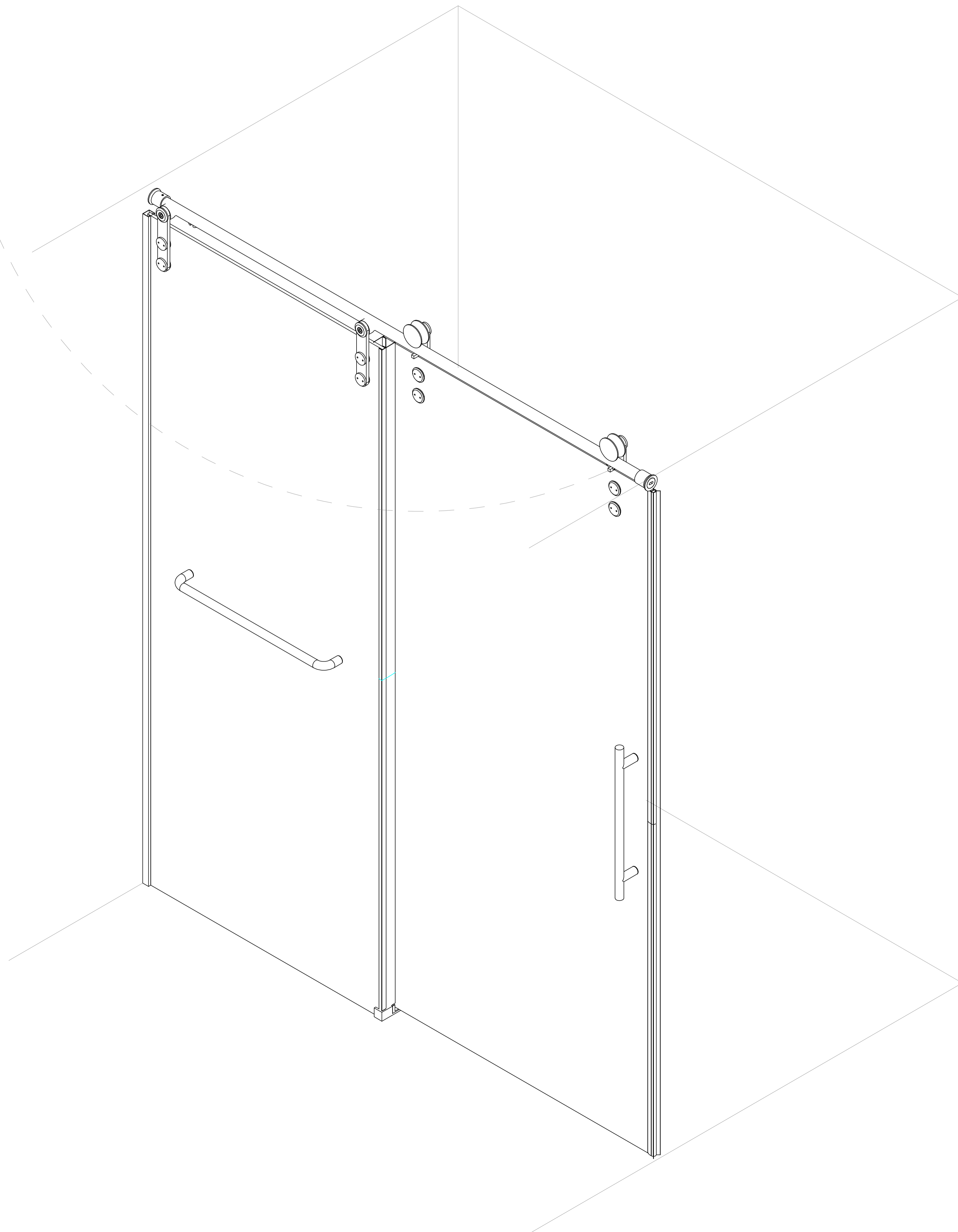
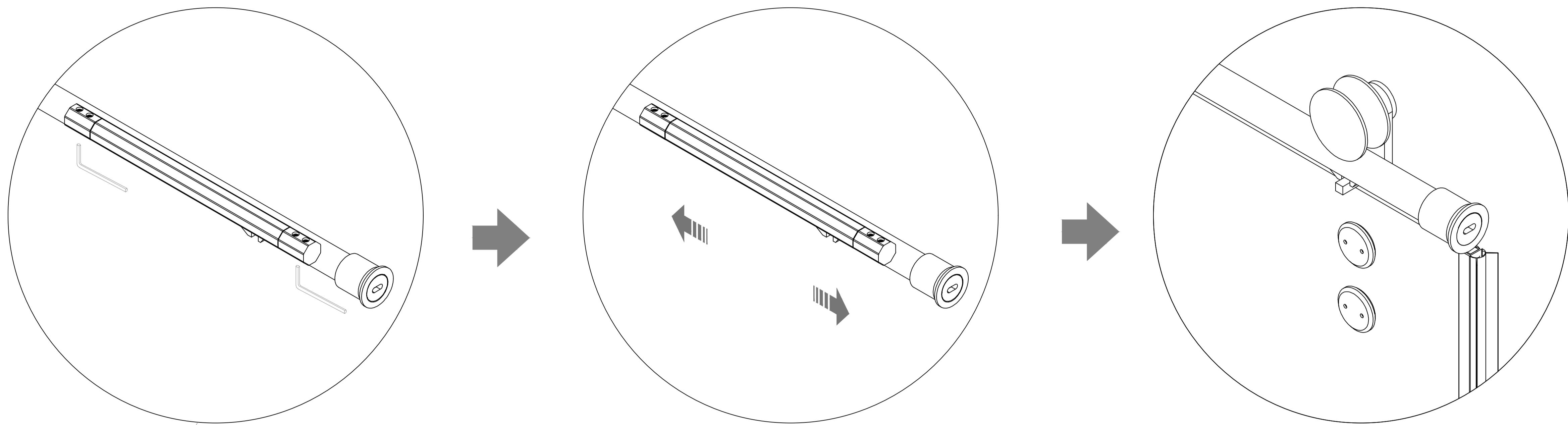
# STEP-13: Installation of Door Glass Handle



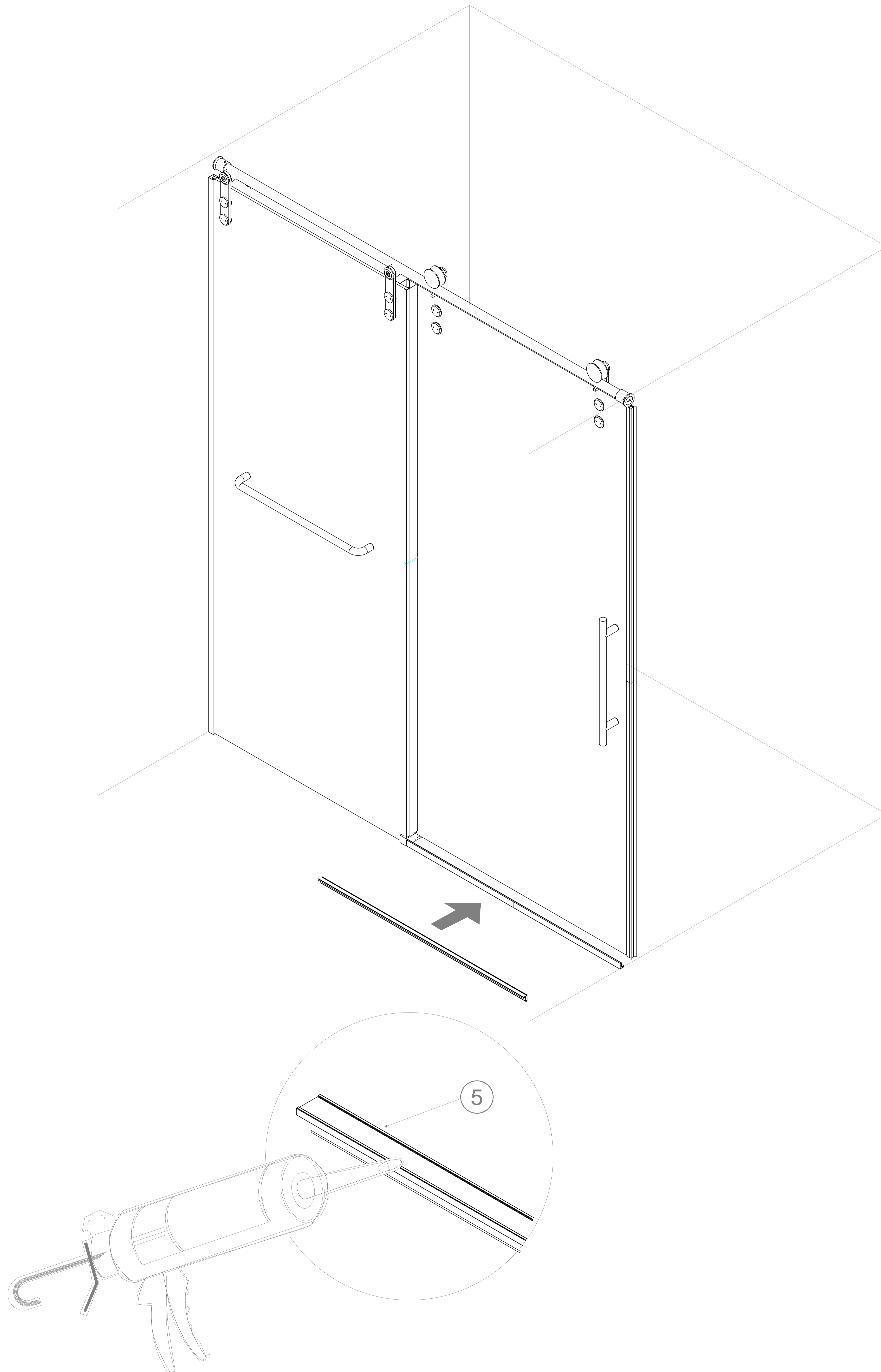
STEP-14: Installation of cushion trigger element



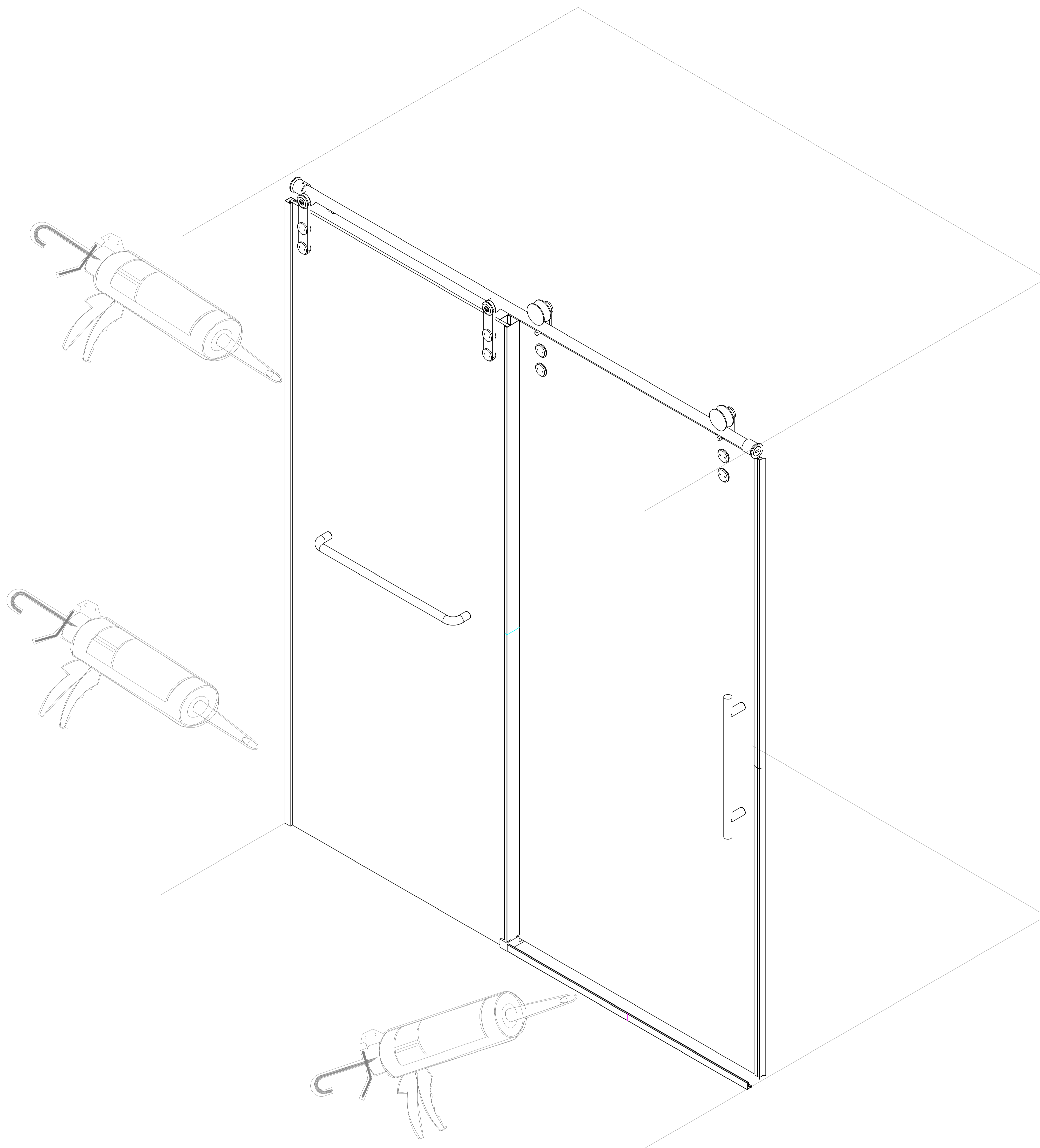
STEP-15: Adjusting the buffer



STEP-16: Installation of Lower Water Stopper



## STEP-17: Fixing with Glass Glue

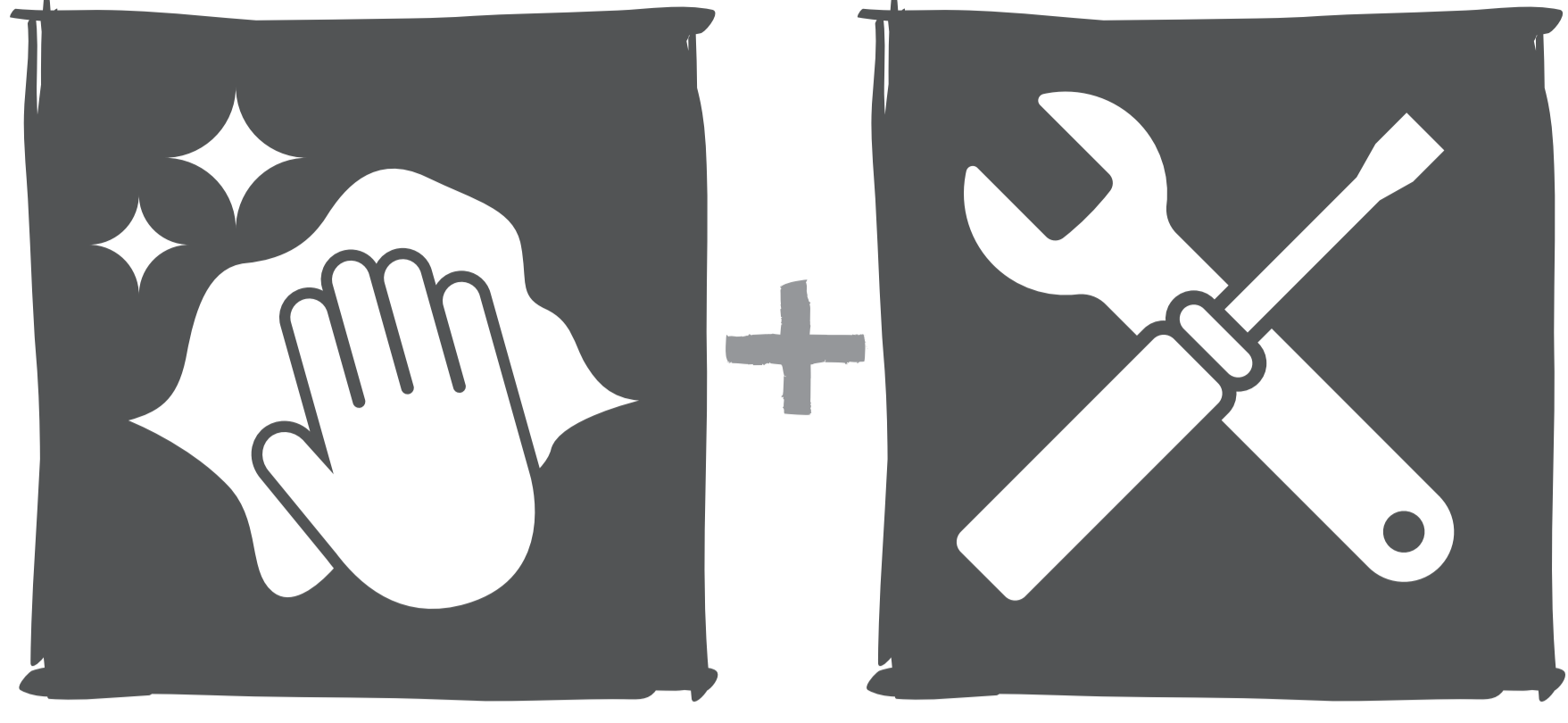


**24** HOURS HEURES



**ONLY SEAL THE OUTSIDE OF THE SHOWER. DO NOT APPLY SILICONE TO THE INSIDE OF THE SHOWER**





## Care & Maintenance

### The golden rules for care

**NOTE:** Use warm soapy water and a soft damp cloth to keep the glass clean. Wipe dry with a clean cloth. Glass cleaner can be used if required. Scourers, abrasives and chemical cleaners can damage the glass and pattern, and should not be used.

In hard water areas, insoluble lime salts may be deposited on the glass. If this is allowed to build up it becomes increasingly difficult to remove and looks unsightly. Regular cleaning will minimize this effect.

- Do not attempt to cut the glass.
  - Do not strike the glass with hard or pointed items.
  - Regularly check moving parts such as rollers and hinges to ensure they are secure and adjusted correctly. Tighten and adjust where required. Also check all sealed joints to ensure seal has not deteriorated. Re-seal if required.
-