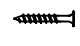






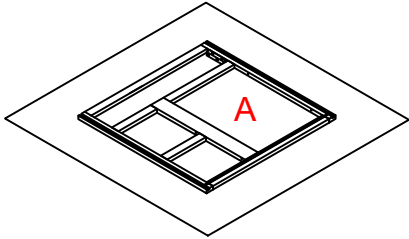


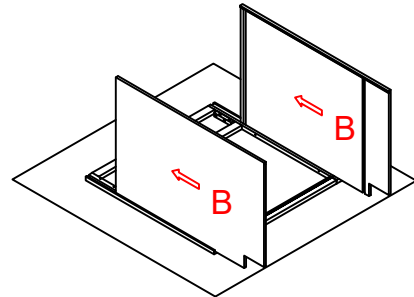
Base Cabinet Assembly Instruction (Item: CVD36-2R/CVD36-2L)

Hard Ware List	1 9PCS Ø4×25mm Flat head screw	5 40PCS Ø4×12mm Flat head screw	6 10PCS Corner brackets	8 2SET Slide	9 4PCS prop	10 2SET slide lock	11 14PCS Bumper
							
Cabinet Parts List	A Frame	B Side panels(2)	C Bottom panel	D Back panel	E Toe kick		
	G Door	H Drawer front(3)	I Drawer front panel(2)	J Drawer back panel(2)	K Drawer side panel(4)	L Drawer bottom panel(2)	
	O panel beam(2)						

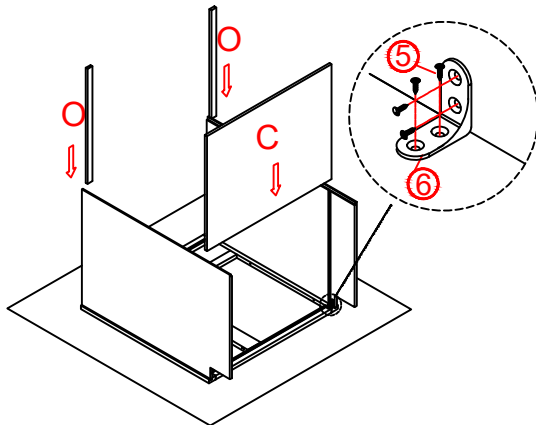
Step1:



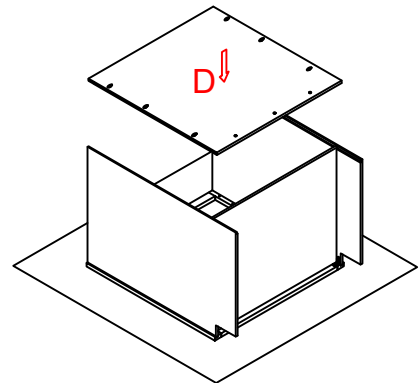
Step2:



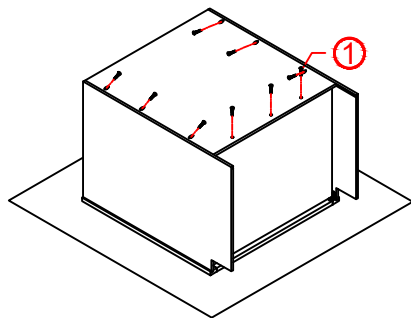
Step3:



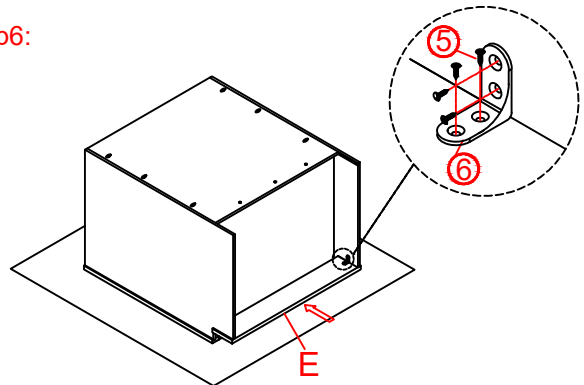
Step4:



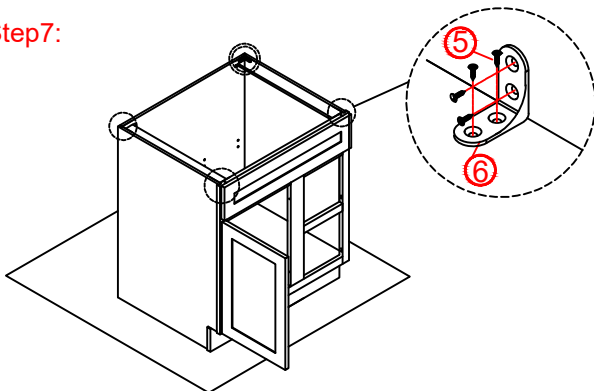
Step5:



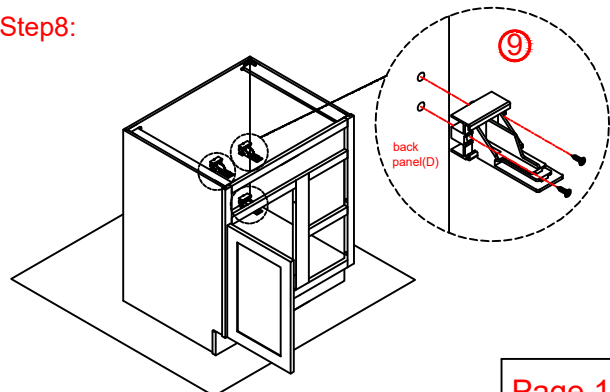
Step6:



Step7:



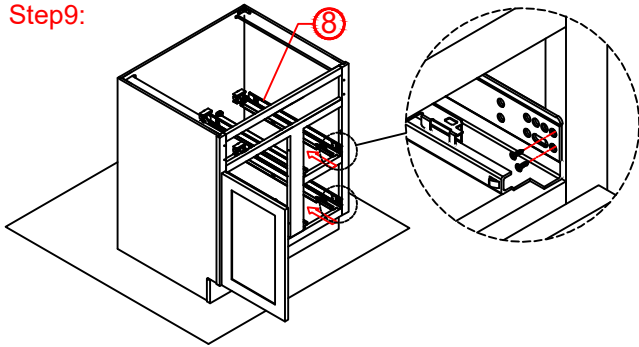
Step8:



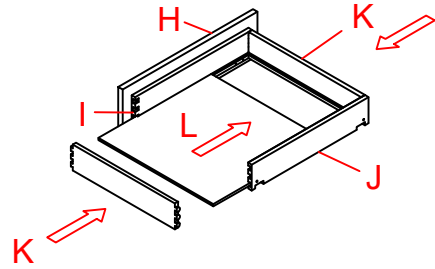
Base Cabinet Assembly Instruction (Item: CVD36-2R/CVD36-2L)

Hard Ware List	1 9PCS Ø4×25mm	5 40PCS Ø4×12mm	6 10PCS	8 2SET	9 4PCS	10 2SET	11 14PCS			
	Flat head screw	Flat head screw	Corner brackets	Slide	prop	slide lock	Bumper			
Cabinet Parts List	A	Frame	B	Side panels(2)	C	Bottom panel	D	Back panel	E	Toe kick
	G	Door	H	Drawer front(3)	I	Drawer front panel(2)	J	Drawer back panel(2)	K	Drawer side panel(4)
	O	panel beam(2)								

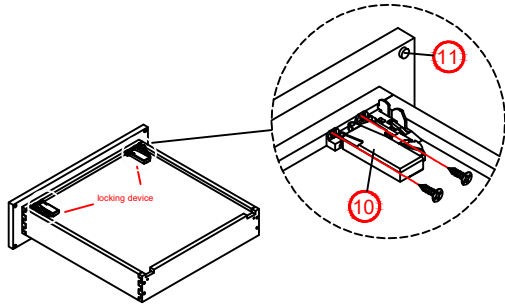
Step9:



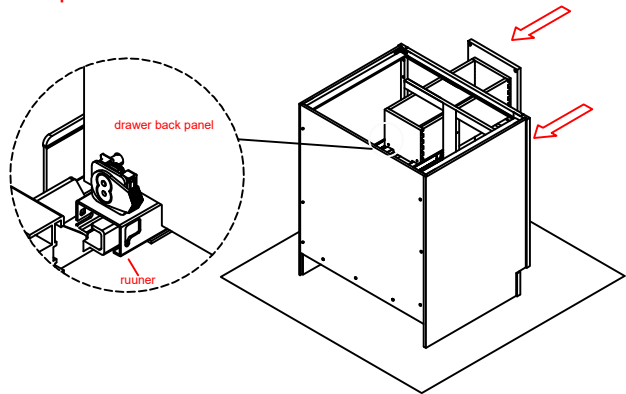
Step10:



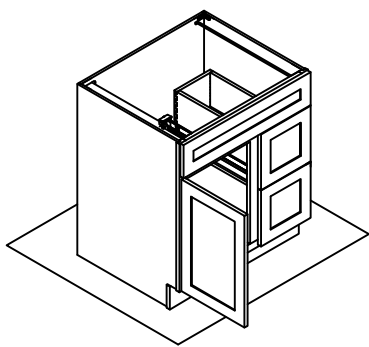
Step11:



Step12:



Step13:



Step14:

