

### Features

- Unique rainhead design reveals faucet stream flowing into wide-nozzle face plate, releasing a thick curtain of water.
- Full Coverage Rain uses gravity to deliver a soft flow of water, providing a gentle spray experience reminiscent of natural rainfall.
- Self-leveling ball joint keeps rainhead parallel to the ground for steady coverage.
- Optimized sprayface for maximum performance.
- 1.75 gpm (6.6 lpm) maximum flow rate at 45 psi (3.1 bar).

### Material

- Premium material construction for durability and reliability.
- KOHLER finishes resist corrosion and tarnishing.

### Installation

- 1/2 -14 NPT connection.
- Requires ceiling-mount single-function rainhead arm and flange (sold separately).

### Water Conservation & Rebates

- This product can help a building earn Water Efficiency points in LEED® Green Building Rating System.

### Required Products/Accessories

- K-26319 3" ceiling-mount rainhead arm and flange
- or
- K-26320 6" ceiling-mount rainhead arm
- or
- K-26321 12" ceiling-mount rainhead arm and flange
- or
- K-26322 16" wall-mount rainhead arm and flange

### Recommended Products/Accessories

- K-23723 Faucet cleaner

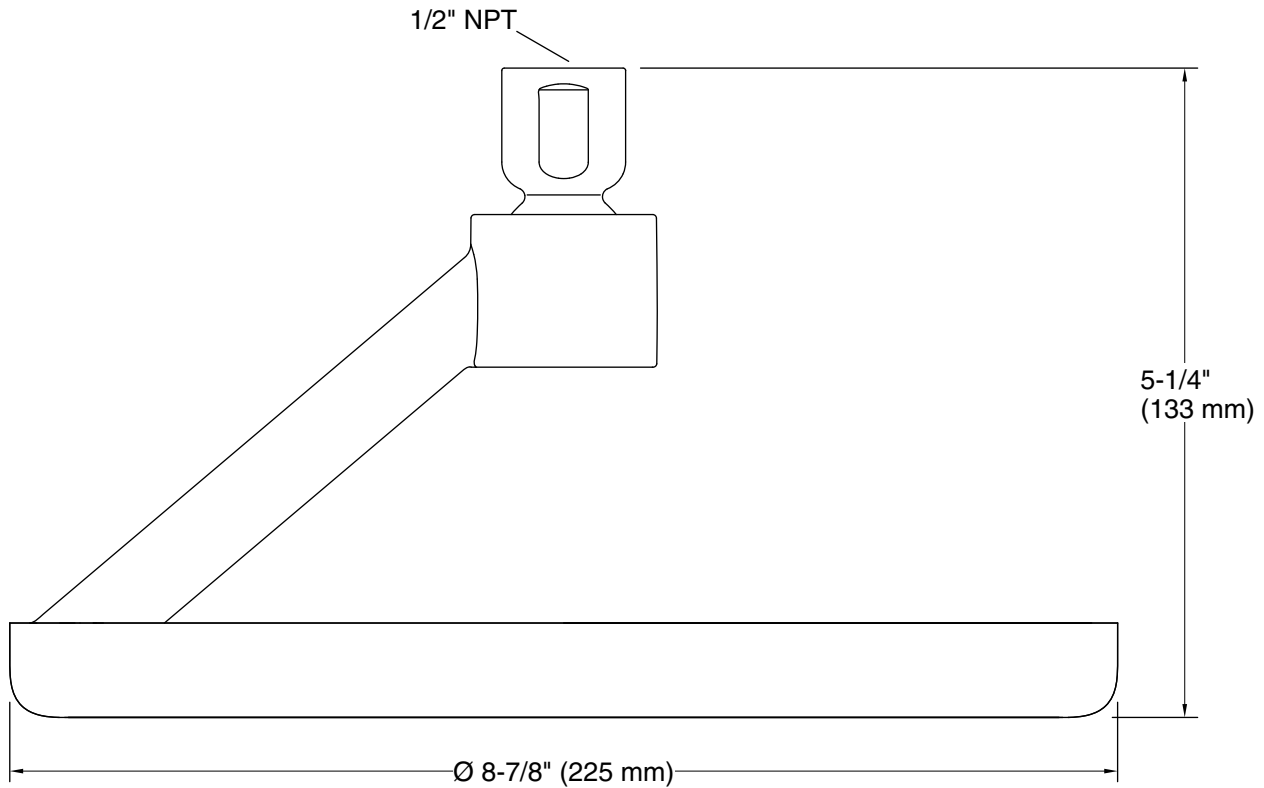


### Codes/Standards

ASME A112.18.1/CSA B125.1  
DOE - Energy Policy Act 1992  
EPA WaterSense®  
California Energy Commission (CEC)

### KOHLER® Faucet Lifetime Limited Warranty

See website for detailed warranty information.



**Technical Information**

All product dimensions are nominal.

**Showerhead/Body Spray:**

Rated maximum flow: 1.75 gal/min (6.6 l/min)

flow:

Pressure: 45 psi (3.1 bar)