



626-679-3588
service@getprohome.com
www.getprohome.com
162 Atlantic St, Pomona, CA 91768



PRODUCT
INSTRUCTION
VIDEO

SIZE DETAILS

HIGH QULITY MEDICINE CABINET



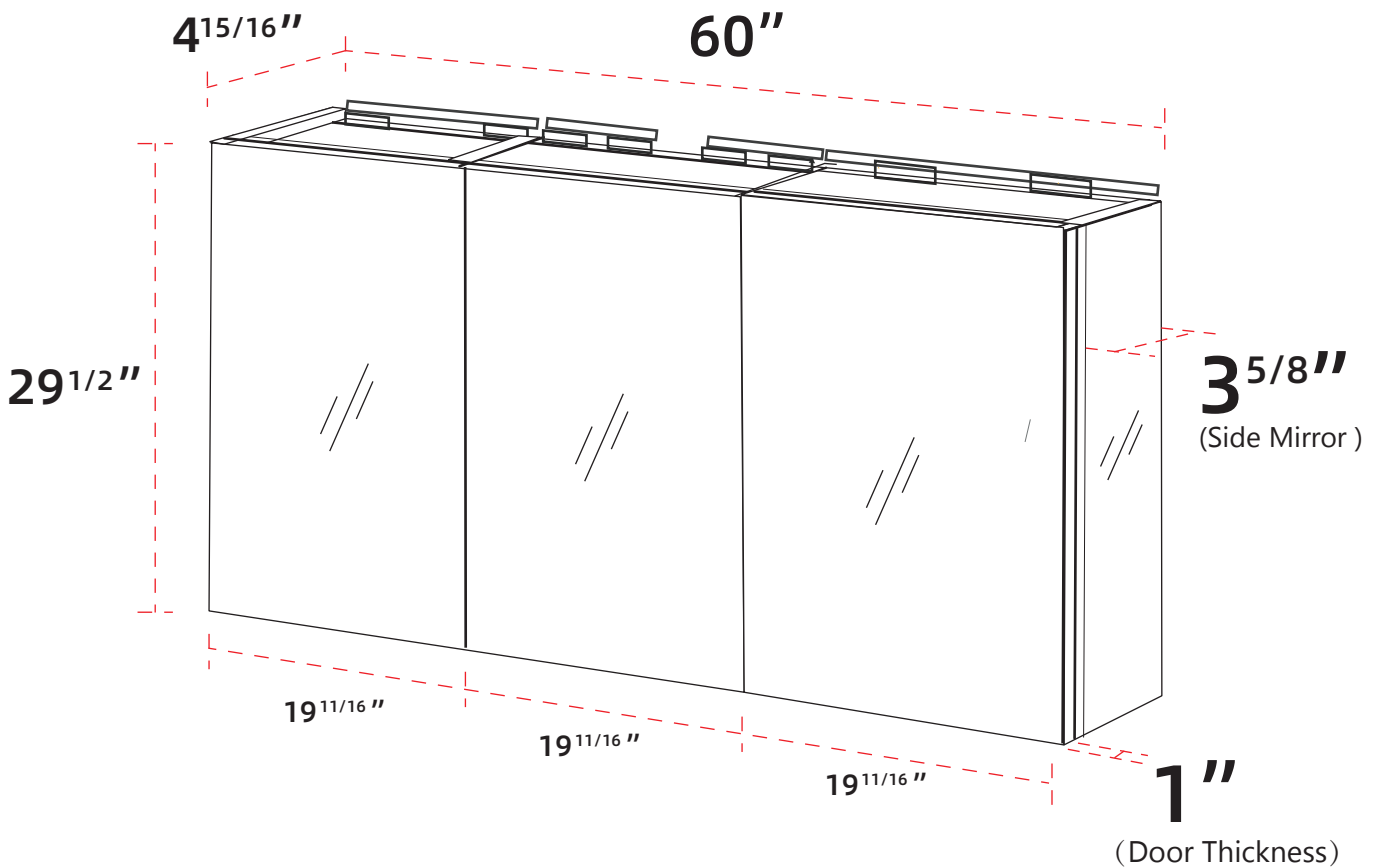


626-679-3588
service@getprohome.com
www.getprohome.com
162 Atlantic St, Pomona, CA 91768



PRODUCT
INSTRUCTION
VIDEO

(FRONT VIEW)



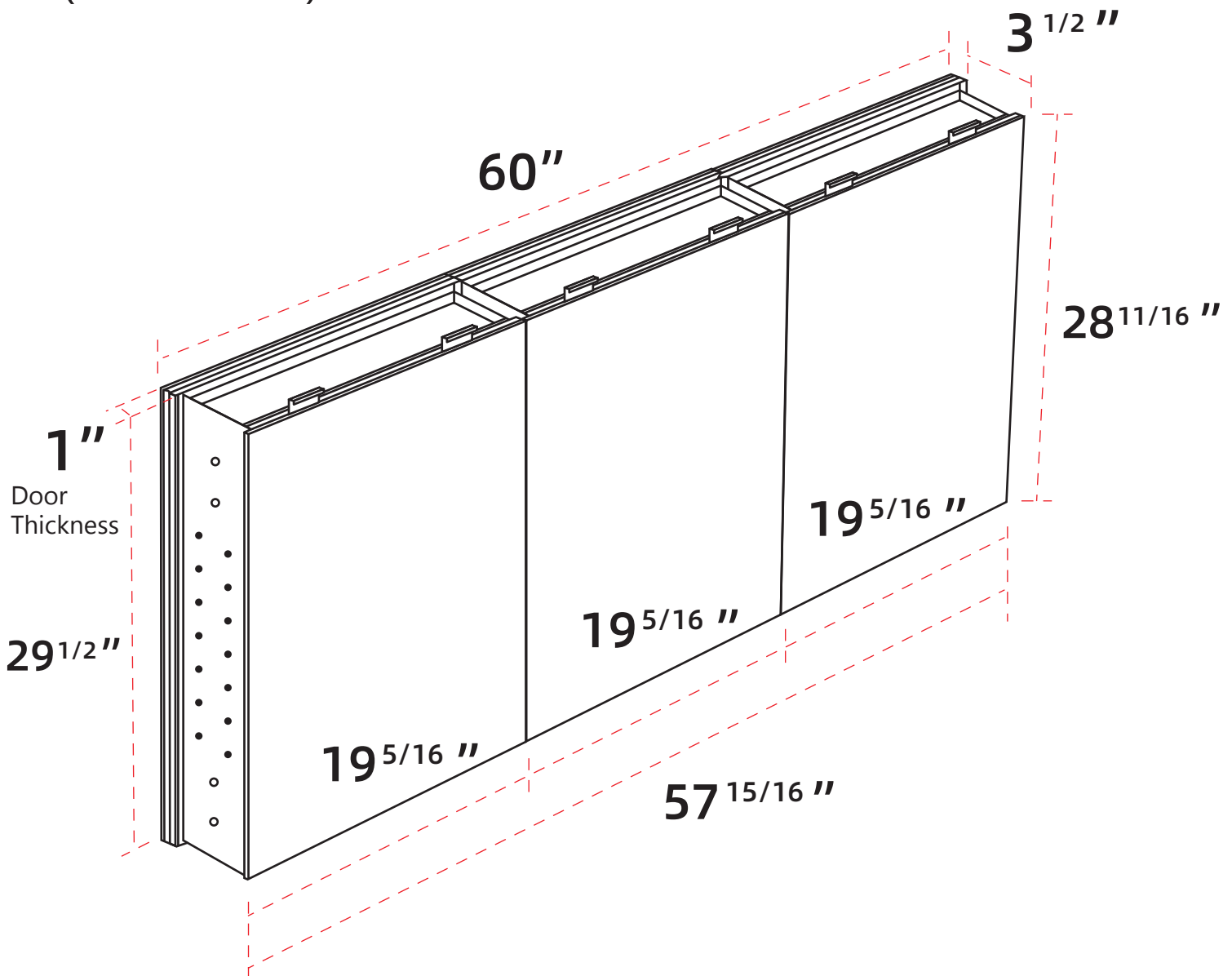


626-679-3588
service@getprohome.com
www.getprohome.com
162 Atlantic St, Pomona, CA 91768



PRODUCT
INSTRUCTION
VIDEO

(BACK VIEW)



The Opening Size for Recessed Mount

Width 58 3/4" (1492mm)

Height 29 3/16" (742mm)

Depth \geq 4 5/16" (\geq 110mm)