

Features

- Single-function showerhead delivers a full, consistent spray, regardless of water pressure
- 1.5 gpm (gallons per minute) flow rate
- 1/2-inch NPT connection
- Sprayface with flexible nozzles resists hard water buildup and is easy to clean
- Showerarm and flange not included
- Coordinates with Coralais faucets and accessories

Material

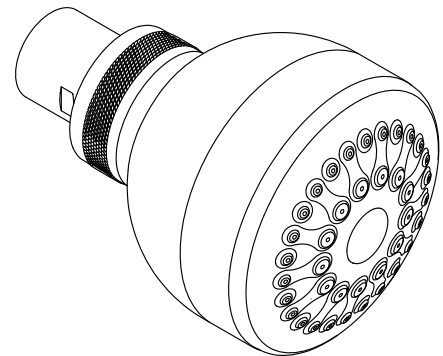
- KOHLER finishes resist corrosion and tarnishing

Installation

- Wall-mount

Water Conservation & Rebates

- WaterSense®-labeled 1.5-gpm showerheads use up to 40 percent less water than standard 2.5-gpm showerheads while still meeting strict performance guidelines
- This product can help a building earn Water Efficiency points in the LEED® Green Building Rating System



For complete listing of available colors, go to kohler.com.



Codes/Standards

ASME A112.18.1/CSA B125.1

DOE - Energy Policy Act 1992

EPA WaterSense®

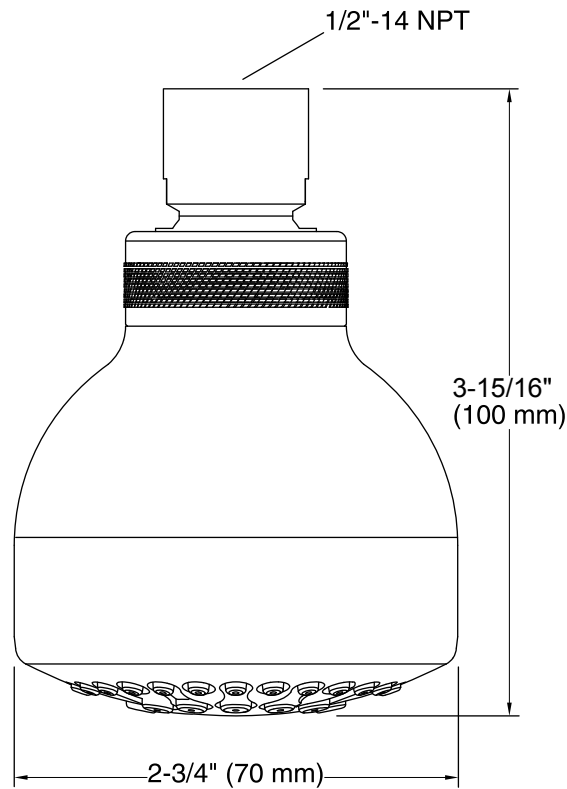
All applicable US Federal and State material regulations

KOHLER® Faucet Lifetime Limited Warranty

See website for detailed warranty information.

Product Specification

Showerhead shall be 2-3/4" (70 mm) in width and 3-15/16" (100 mm) in height. Showerhead finish shall resist corrosion and tarnishing. Showerhead shall feature single-function spray, 1/2" NPT connection and 1.5 gal/min (5.7 l/min) flow rate. Showerhead shall be for wall-mount installation. Showerhead shall be KOHLER Model K-11637-H.



Technical Information

All measurements are nominal.

Showerhead:

Flow rate: 1.5 gal/min (5.7 l/min)

Pressure: 80 psi (5.5 bar)

Installation Notes

Install this product according to the installation guide.