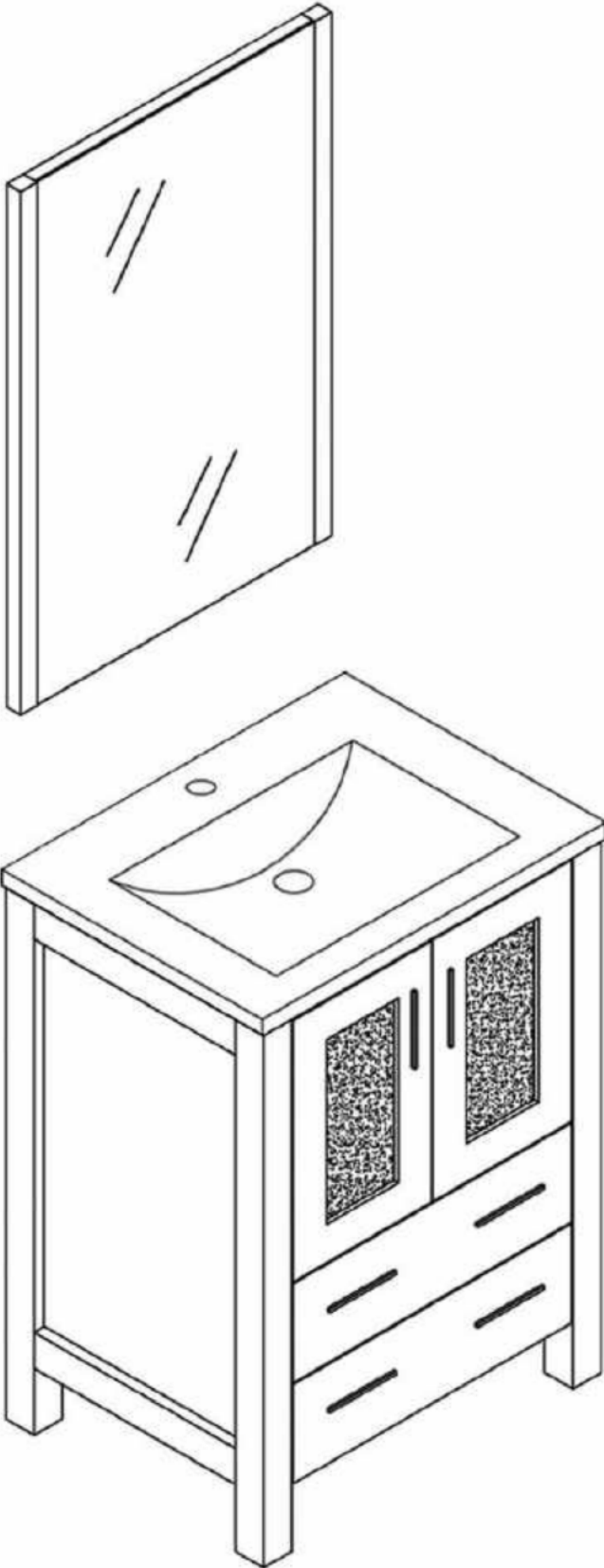
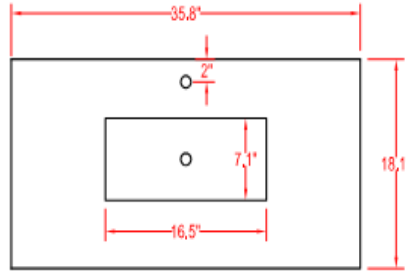
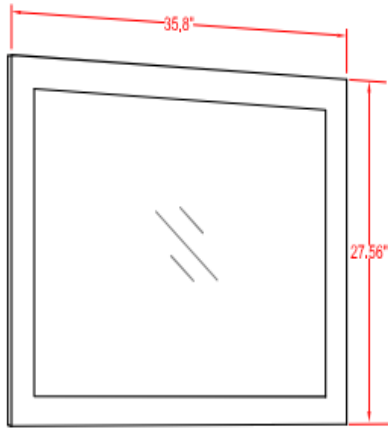
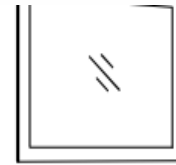


INSTALLATION MANUAL

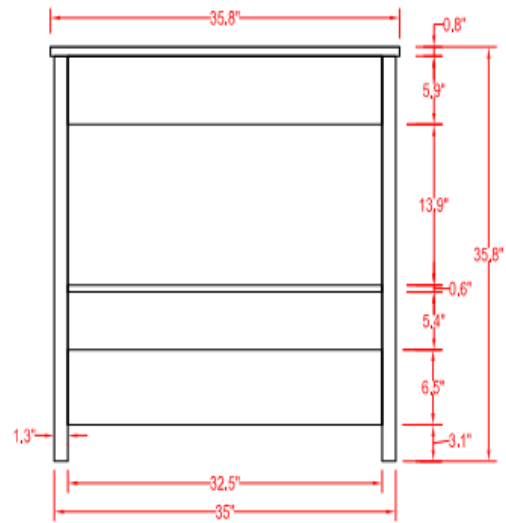
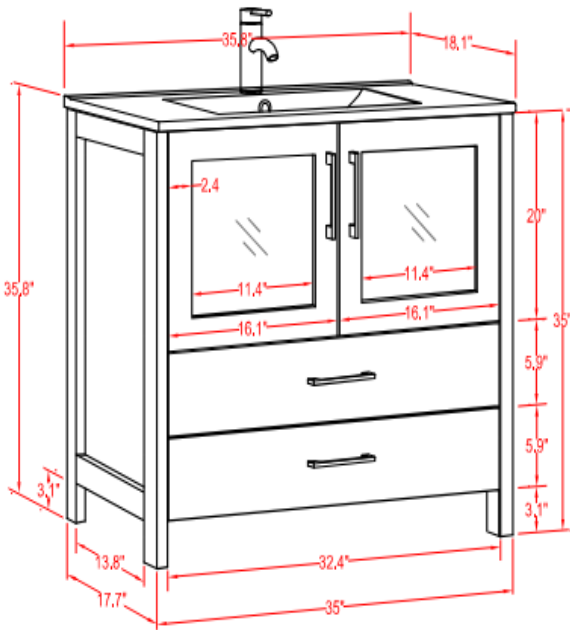




(PLAN)

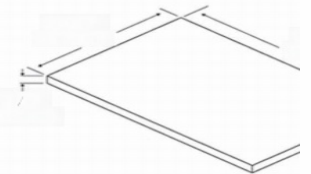
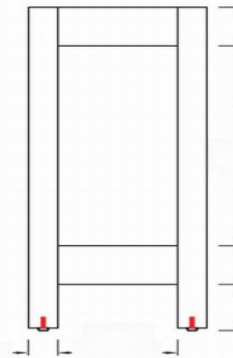
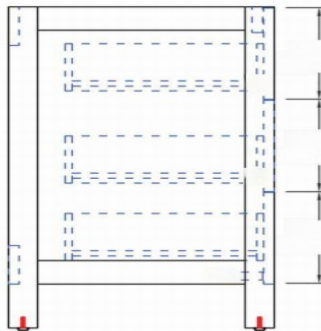
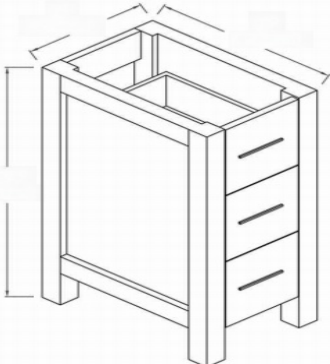


Cabinet: 35.8"x18.1"x35.8" inc
Handle: 6.2" inch



(BACK)

12" SIDE CABINET



REQUIRED TOOLS



Tape Measure



Pencil



Electric Drill



DrillBit (6mm)

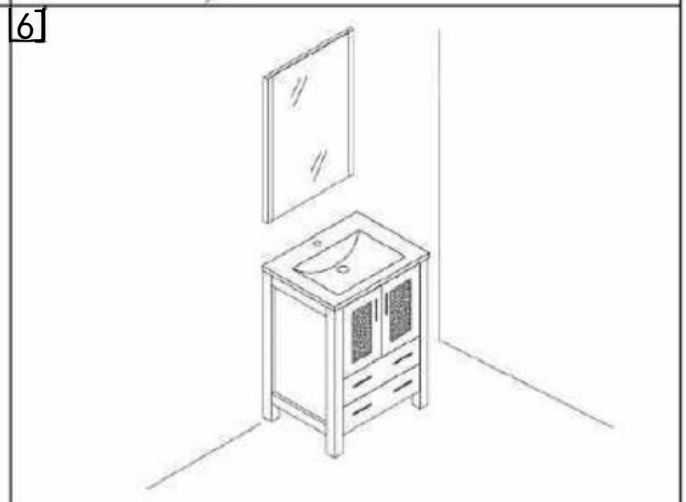
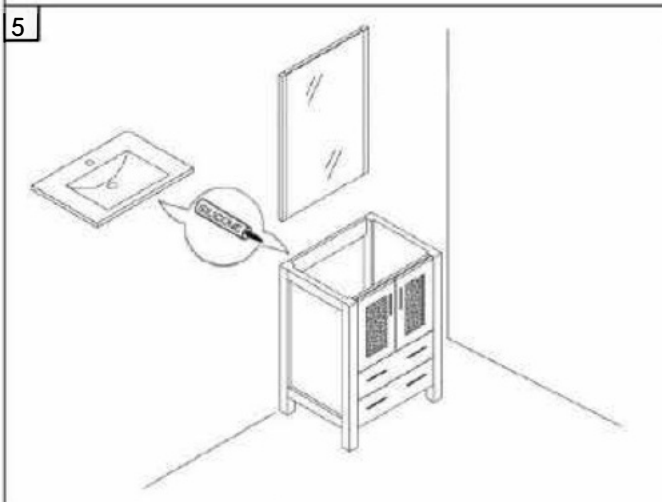
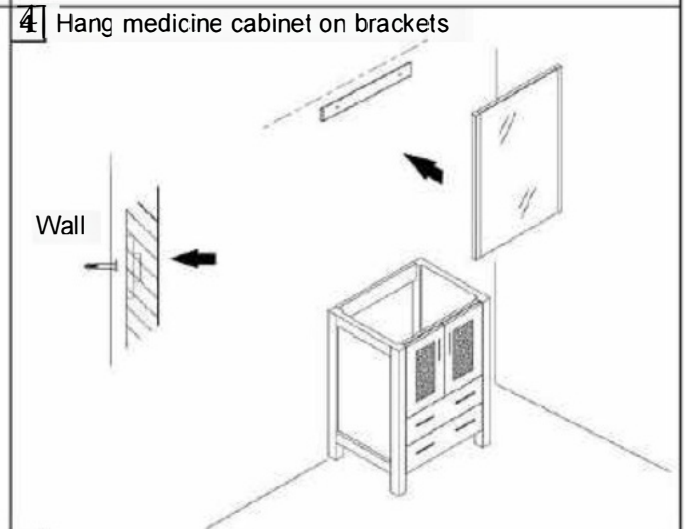
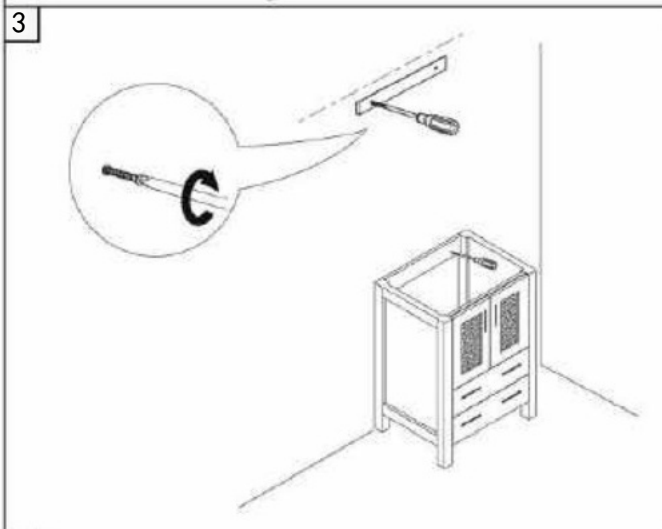
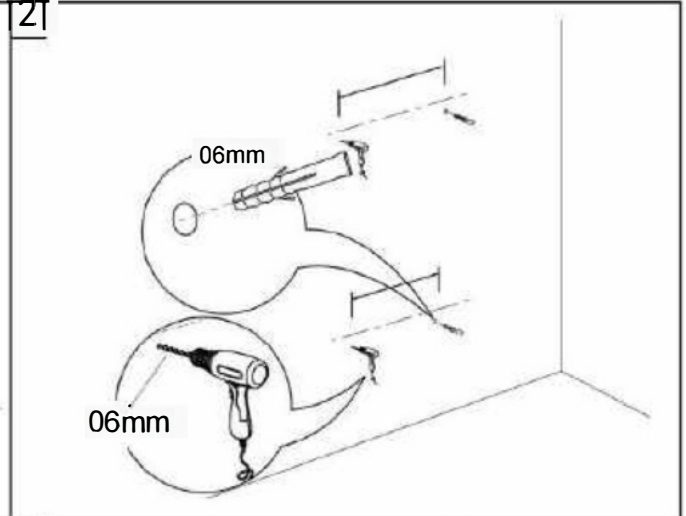
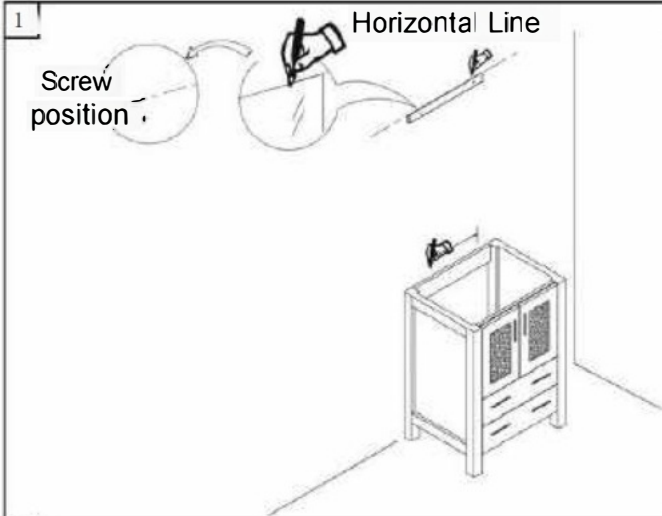


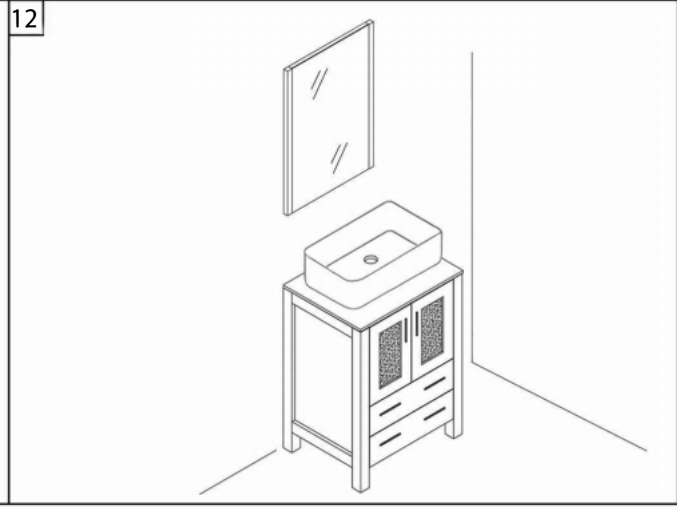
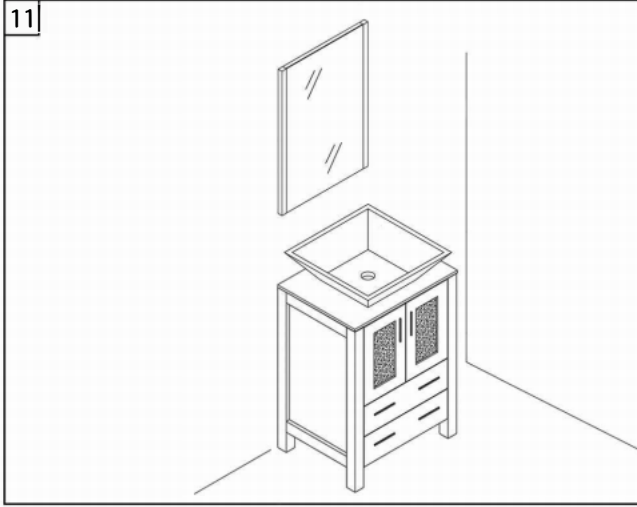
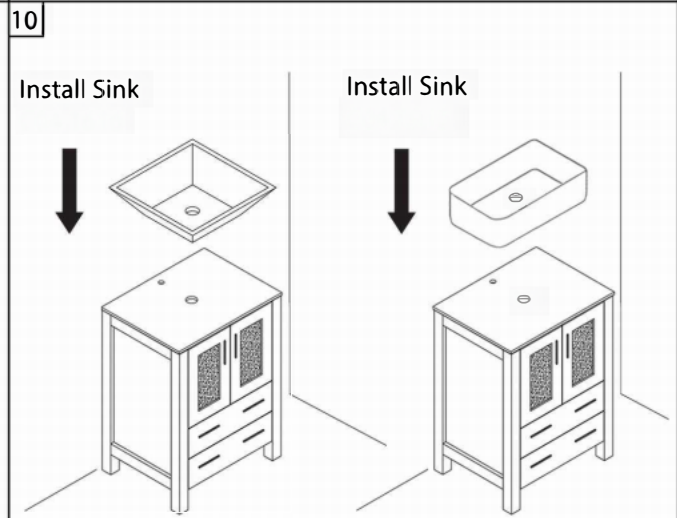
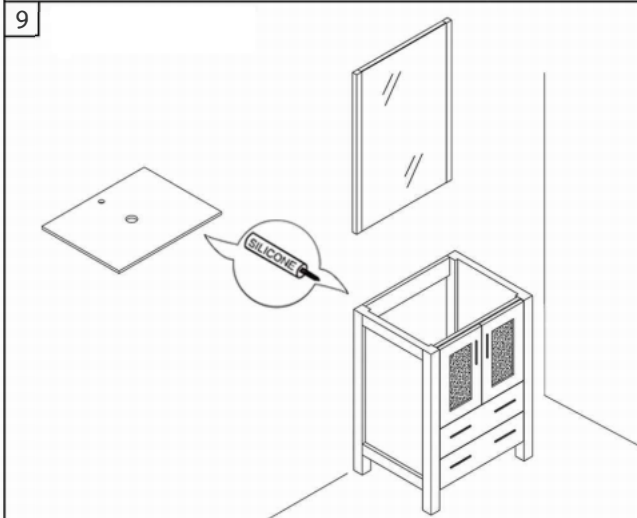
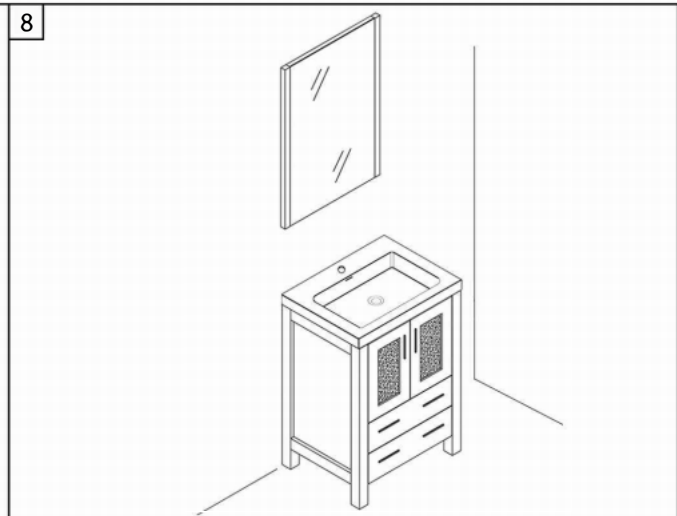
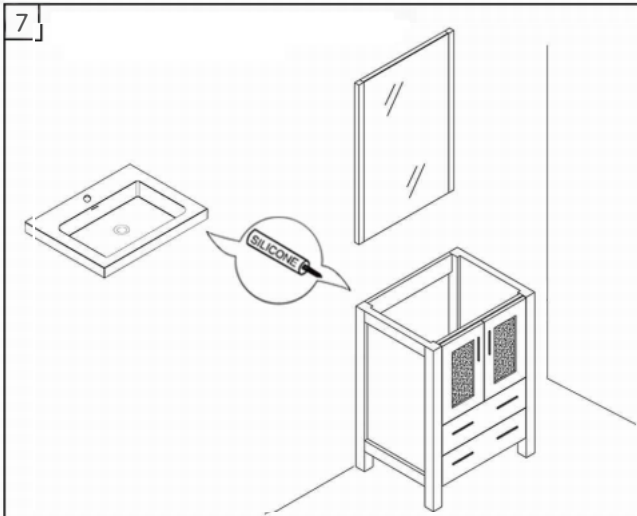
Silicone



Screwdriver

DIAGRAM





REQUIRED TOOLS



Tape Measure



Pencil



Electric Drill



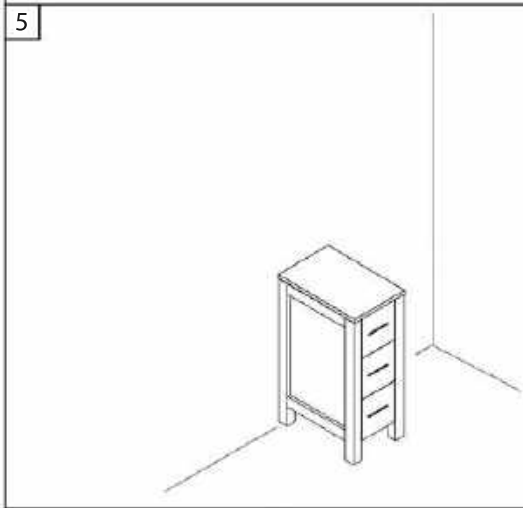
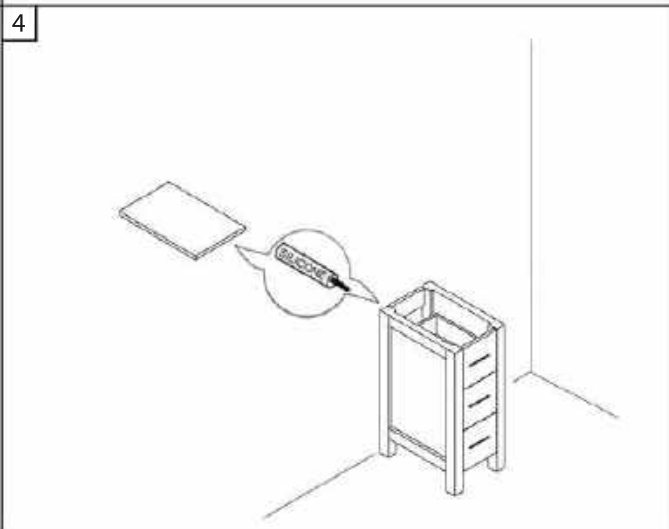
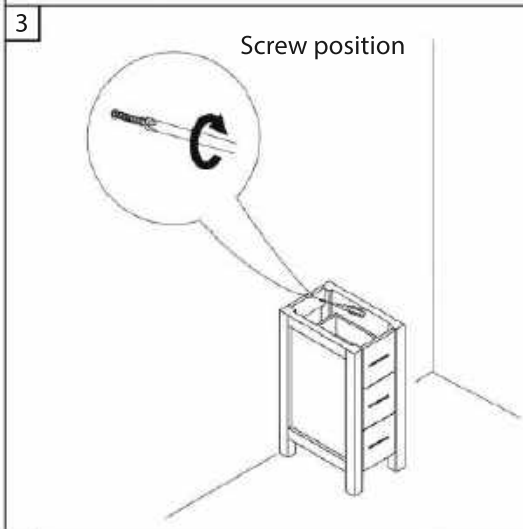
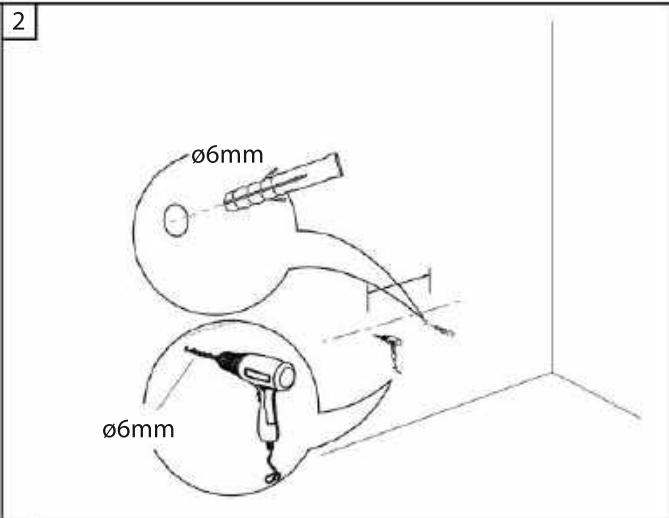
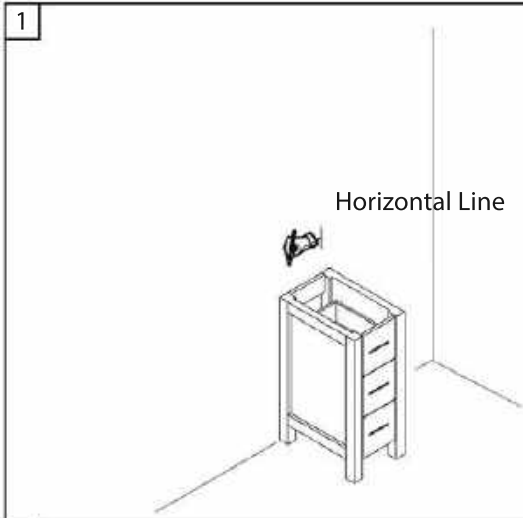
Drill Bit (6mm)



Silicone



Screwdriver



DRAWER REMOVAL & INSTALLATION

