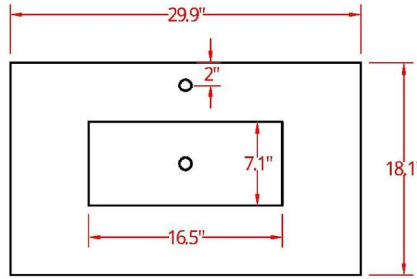
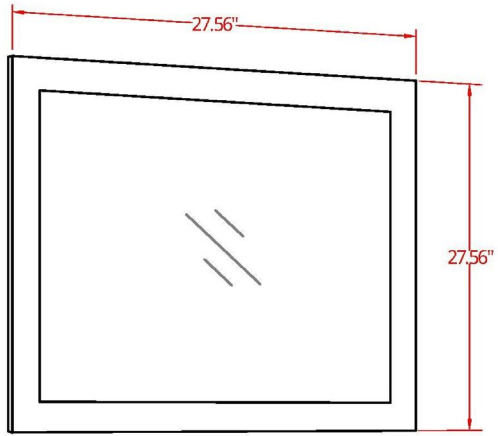


Unit	inch	Model
------	------	-------



±0.00,

