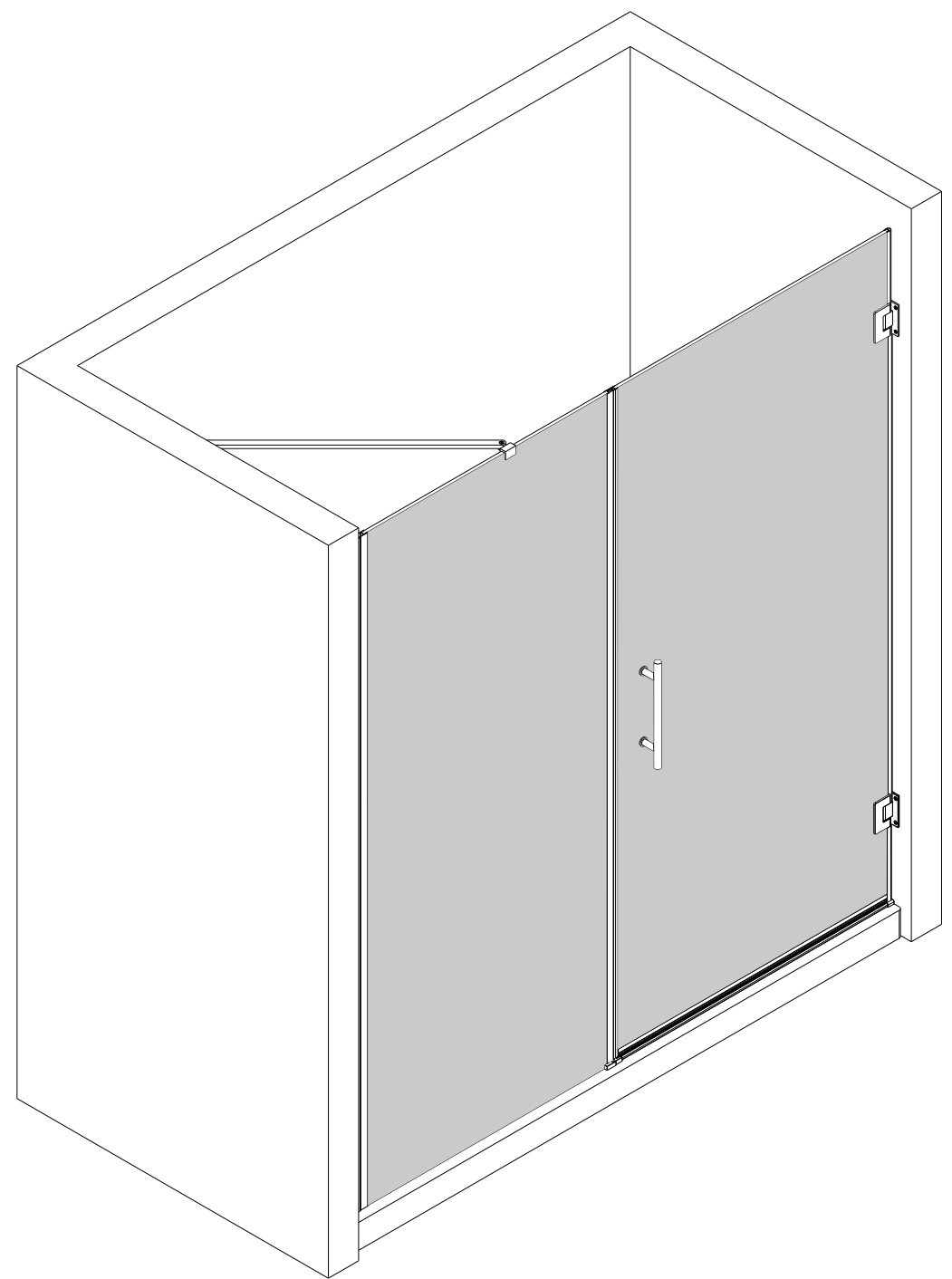
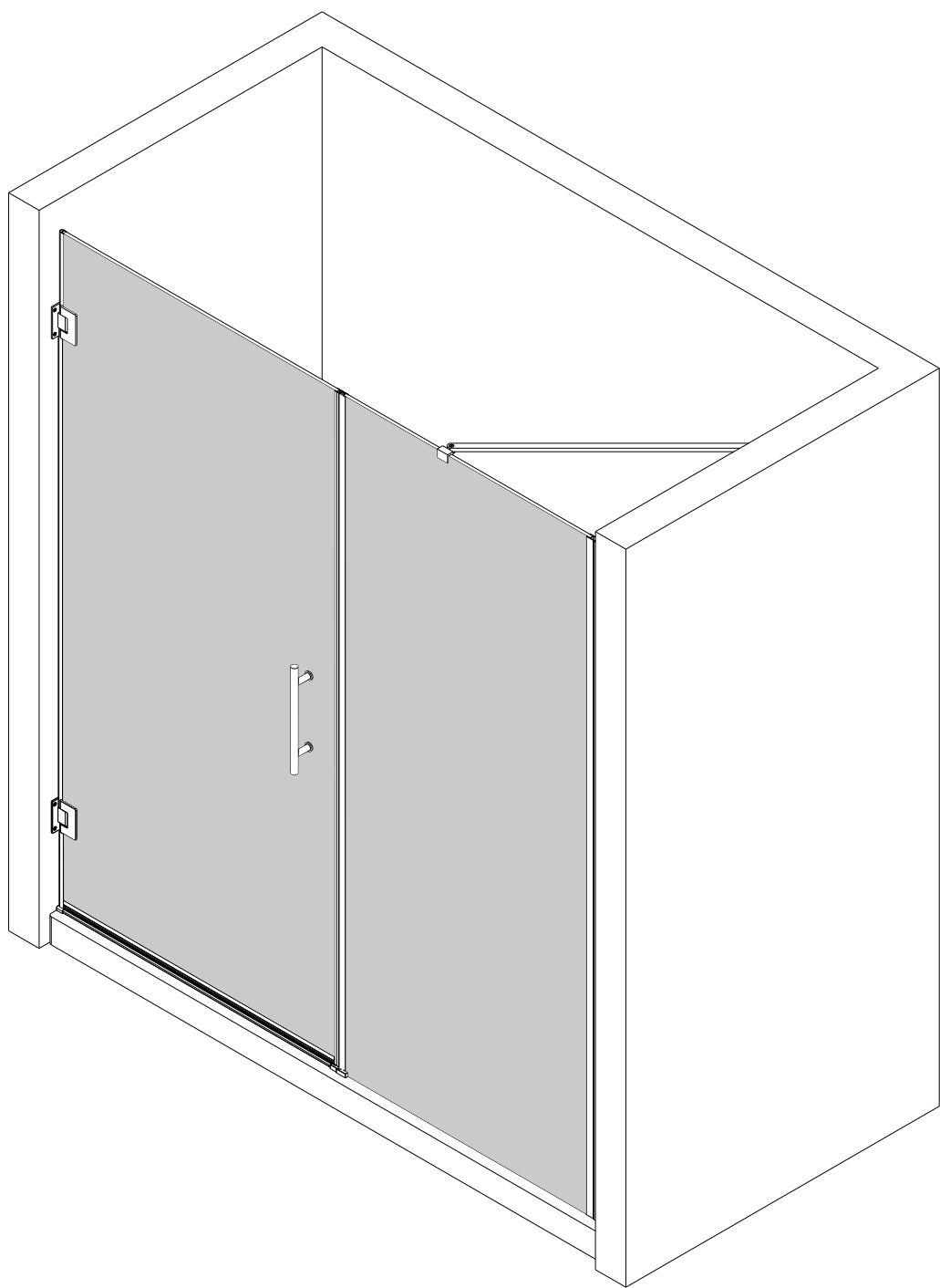


Shower Door Installation Instructions



**Please do not return the product to the store.
Contact us with any questions.**

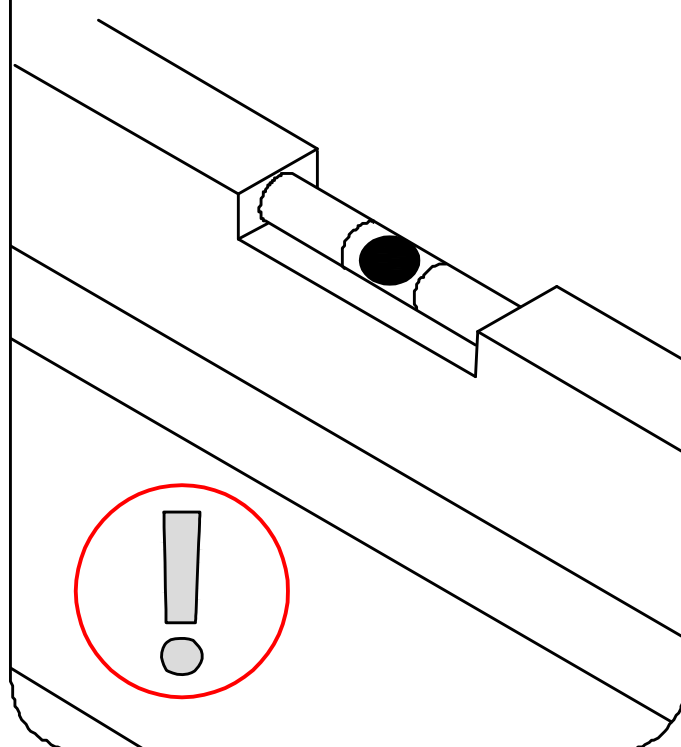
Model Specific Preparation

! REQUIRED:

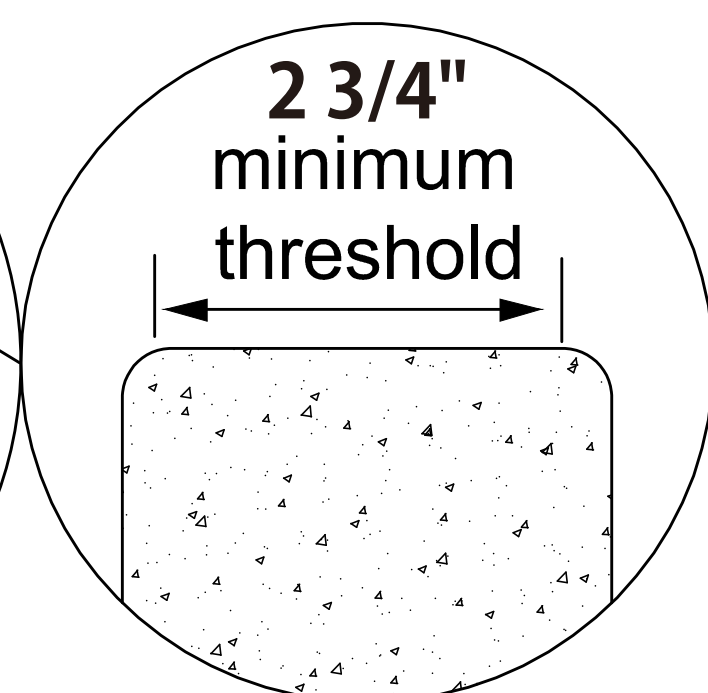
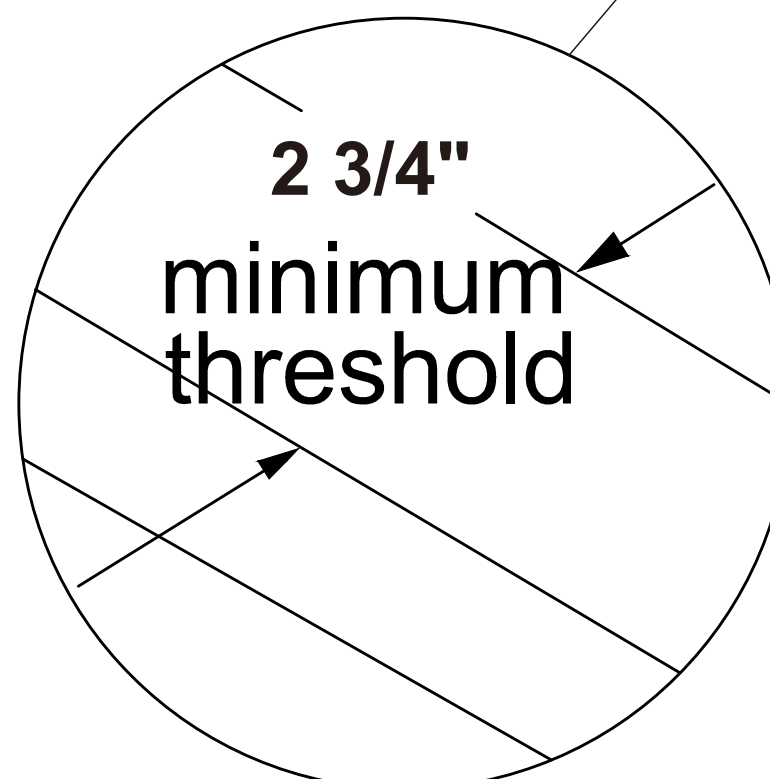
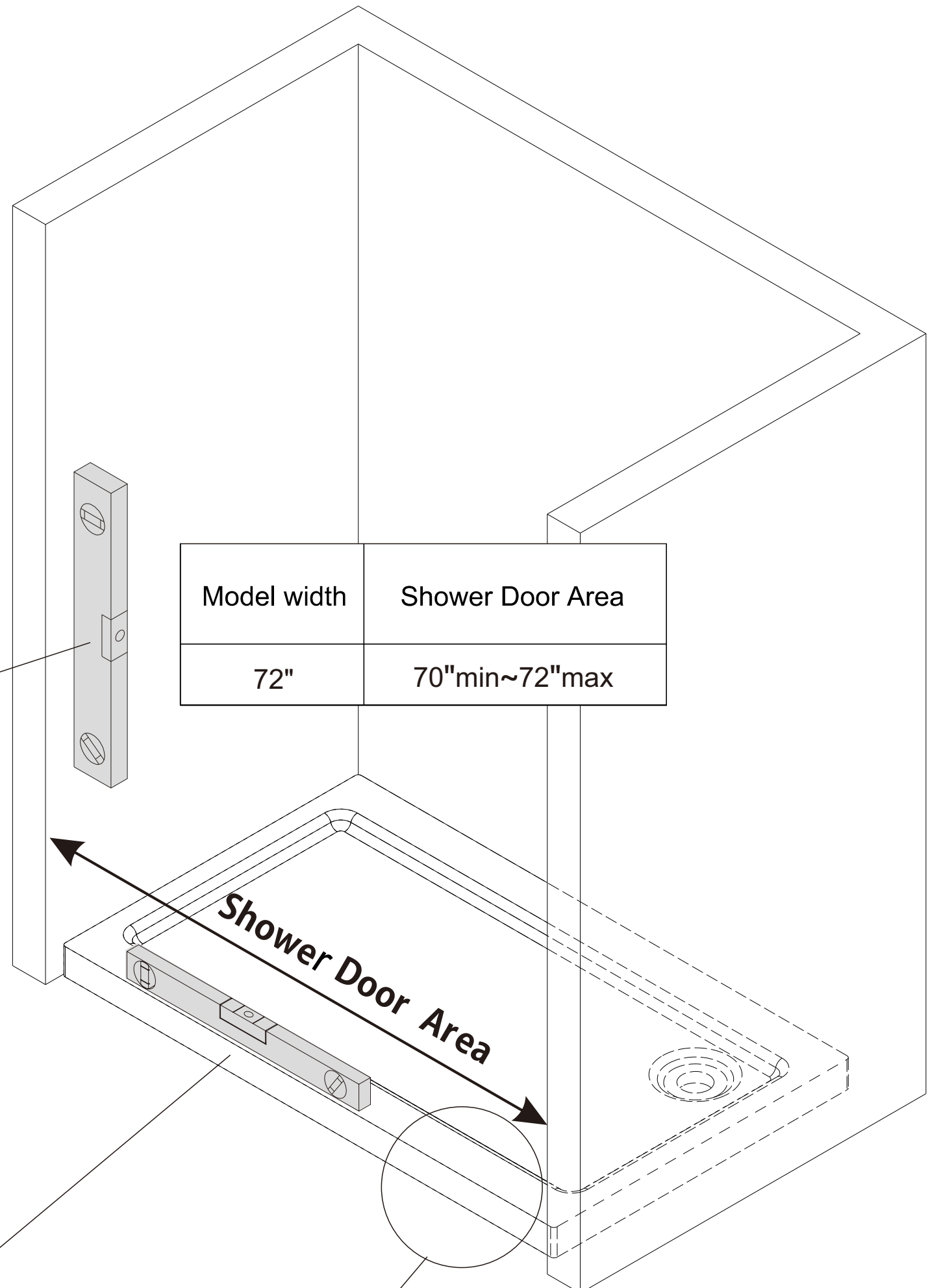
Verify threshold and wall with a level.

1/4"(6mm) Maximum out of plumb adjustment from top to bottom

Threshold must be level.

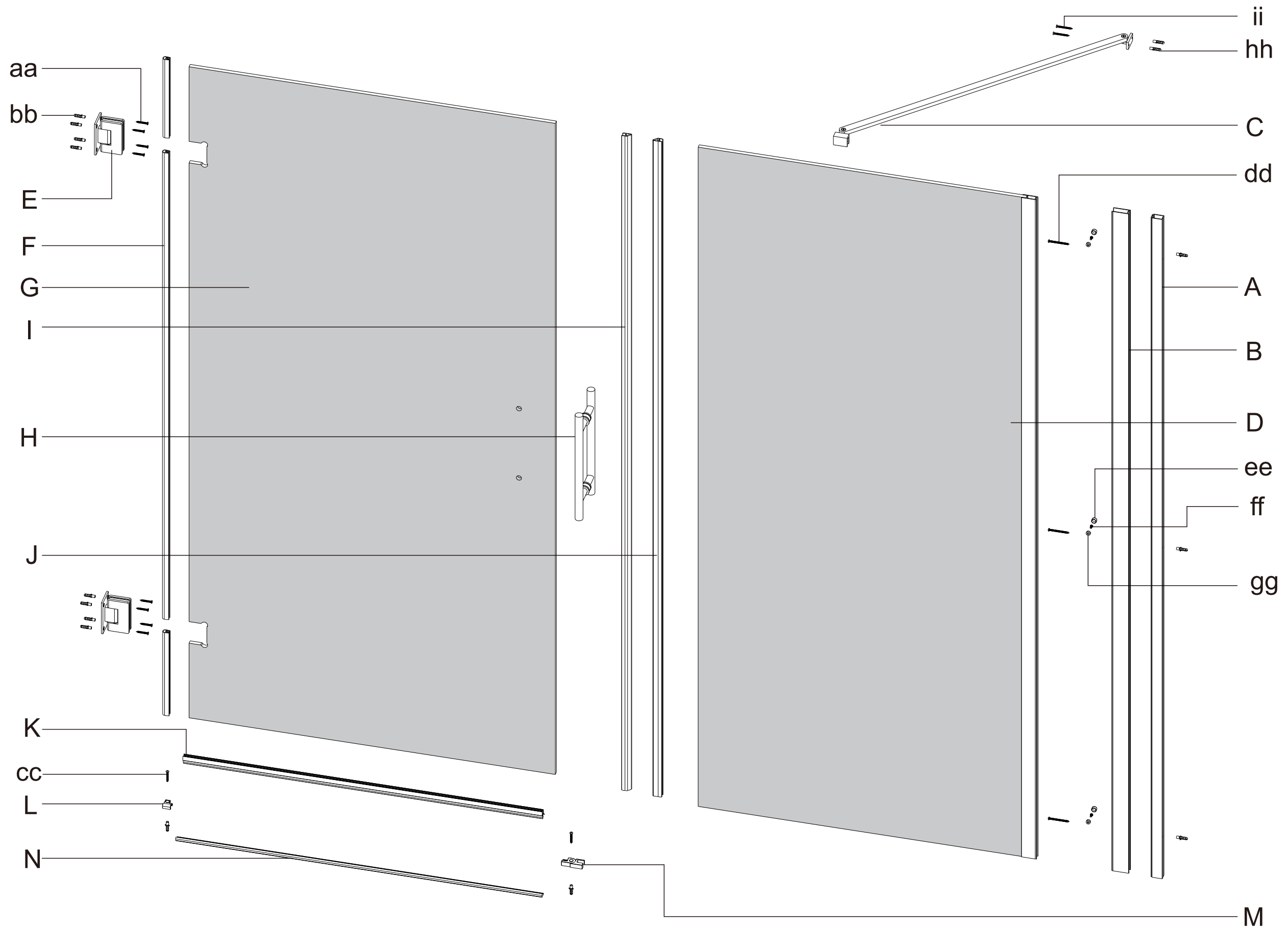


Model width	Shower Door Area
72"	70"min~72"max



SHOWER DOOR

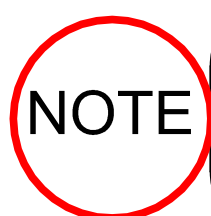
PACKAGE CONTENT



PACKAGE CONTENT

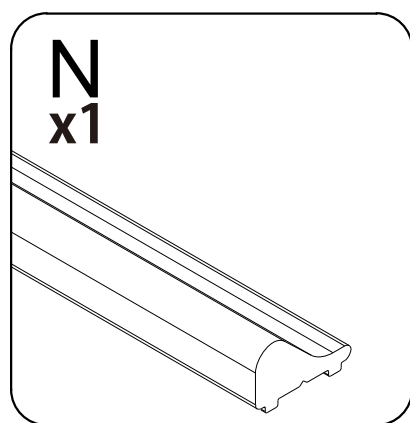
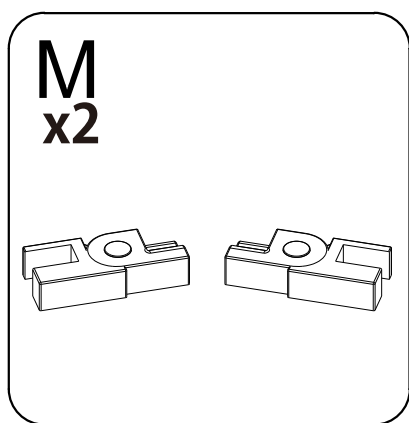
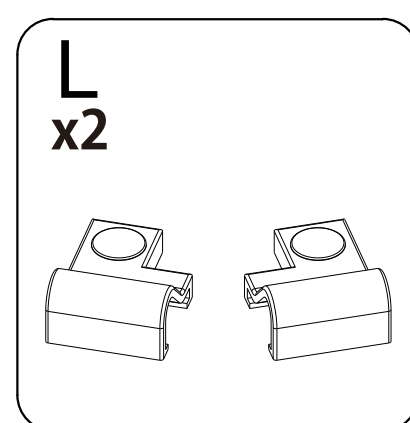
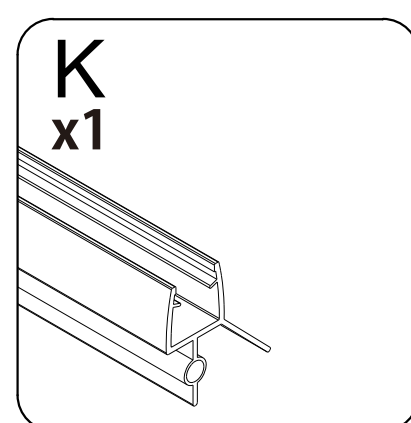
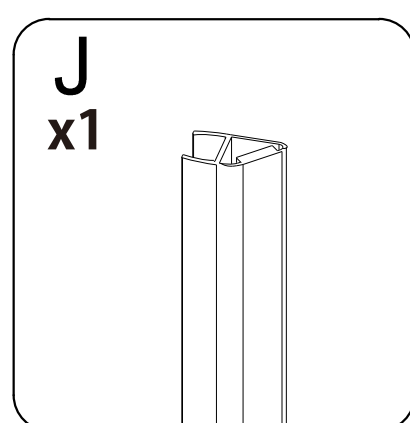
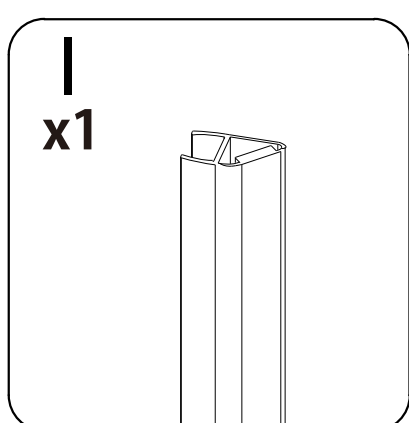
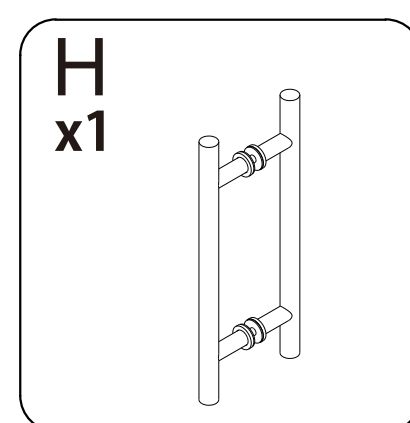
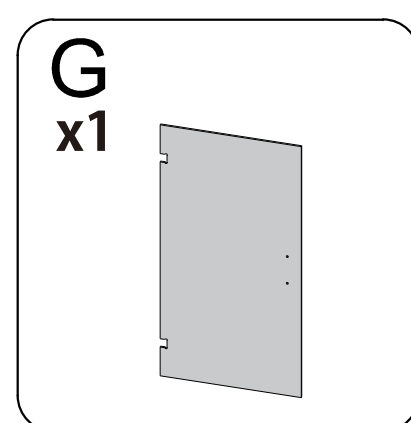
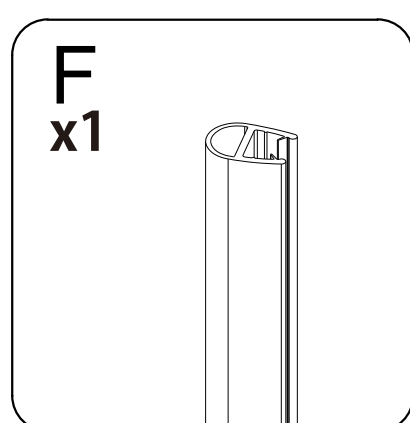
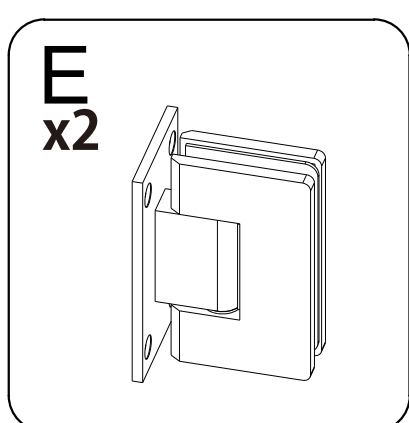
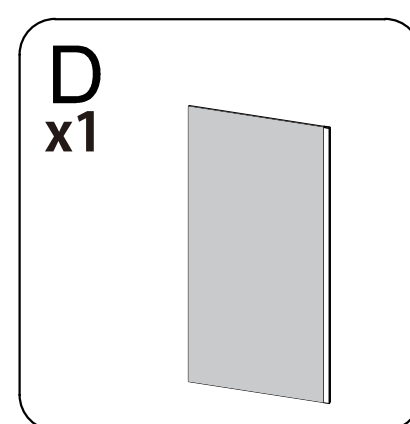
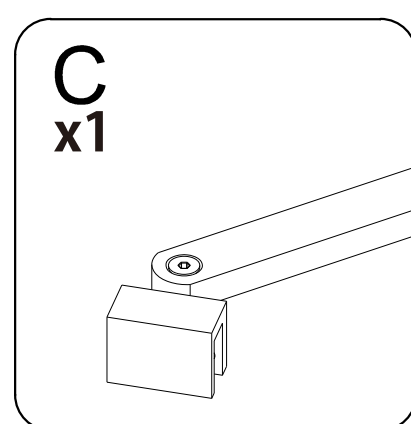
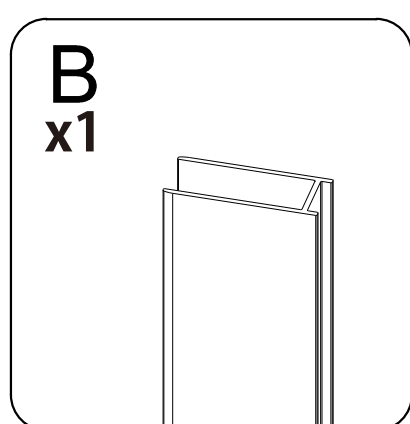
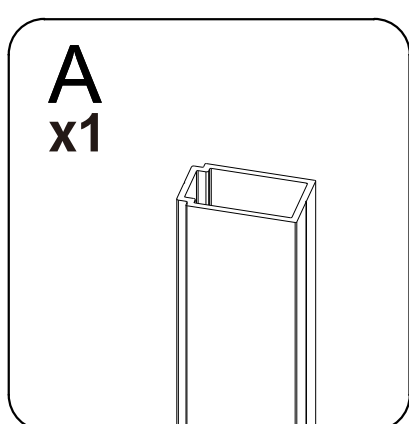
PART#	DESCRIPTION	QTY
A	Wall Jamb extension (To be used if needed only)	1
B	Wall Jamb	1
C	Support Rod	1
D	Stationary Glass	1
E	Hinge	2
F	Anti-Water Strip	1
G	Glass Door	1
H	Handle	1

PART#	DESCRIPTION	QTY
I	Magnetic Strip	1
J	Magnetic Strip	1
K	Bottom Anti-Water Strip	1
L	Connector	2
M	Connector	2
N	Alu. Threshold	1




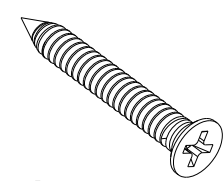
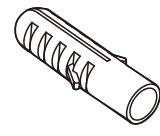
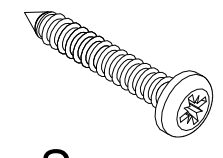
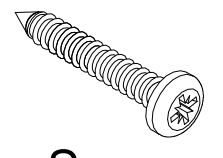
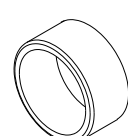
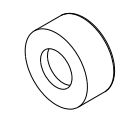
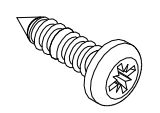
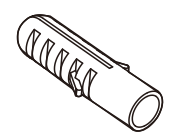
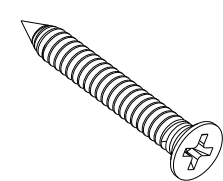
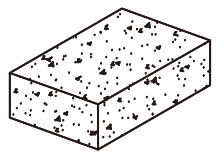
Inspect all parts for missing prior to installation!
Contact us for any part missing.

PACKAGE CONTENT



HARDWARE CONTENT


Additional spare parts are included.

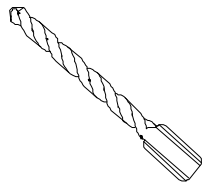
<p>aa</p>  <p>Screw ST5X35mm 8 pcs</p>	<p>bb</p>  <p>Wall anchor Ø8X30mm 8 pcs</p>	<p>cc</p>  <p>Screw ST4X30mm 6 pcs</p>	<p>dd</p>  <p>Screw ST4X50mm 4 pcs</p>
<p>ee</p>  <p>Screw cap 3 pcs</p>	<p>ff</p>  <p>Washer Φ10XΦ5X1.0 3 pcs</p>	<p>gg</p>  <p>Metric Screw ST4X10mm 3 pcs</p>	<p>hh</p>  <p>Wall anchor Ø6x28mm 8 pcs</p>
<p>ii</p>  <p>Screw ST4X30mm 2 pcs</p>	<p>jj</p>  <p>Plastic spacer 2 pcs</p>		

NOTE

Inspect all parts for missing prior to installation!
Contact us for any part missing.

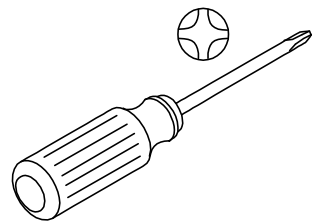
TOOLS REQUIRED

Drill Bits

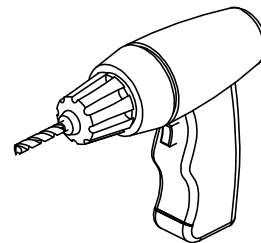


Ø1/8" & Ø1/4" (3&6mm) dia.
HSS

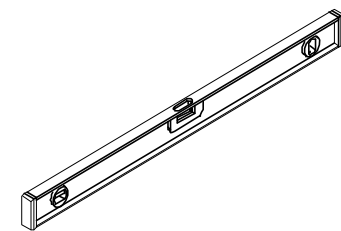
Phillips screw driver



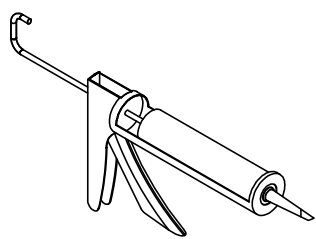
Electric hand drill



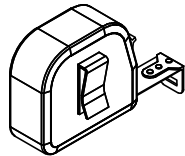
Level



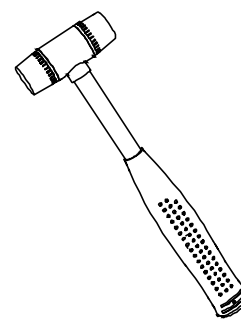
Caulkinggun



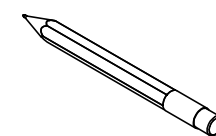
Measuring Tape



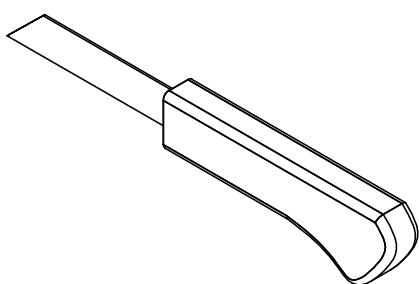
Soft Head Hammer



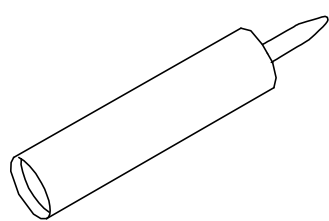
Marking Pencil



Utility Knife



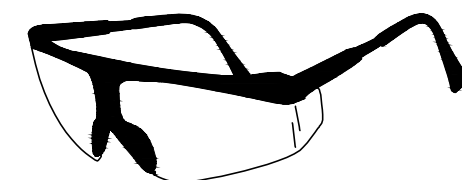
Sealant



MASONRY DRILL BIT FOR TILE
Ø6mm



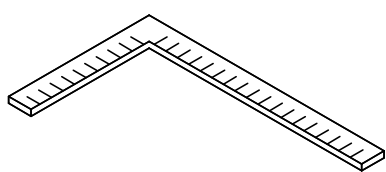
Safety Glasses



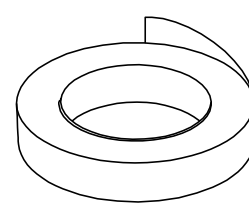
Gloves



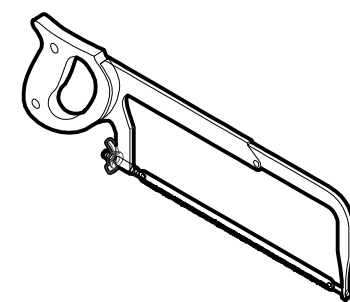
Carpenter's Squarer



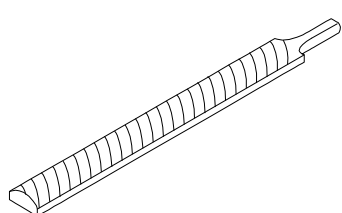
Masking or painter's tape



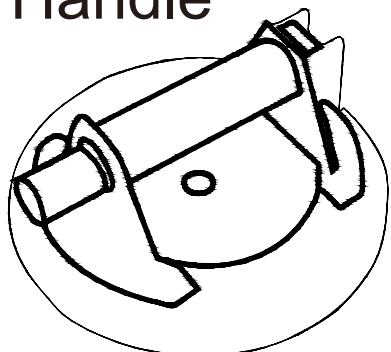
Hack Saw



Metal File



Glass suction Handle



SAFETY INFORMATION

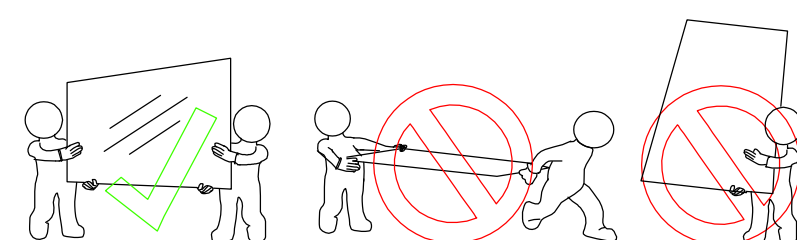
CAUTION

Please carefully read the following important safety information before handling or installing this shower door . There is a risk of serious injury while handling this product.

To minimize these risks, please note:

- Always wear safety glasses and gloves while handling.
- Always follow the installation instructions.
- Inspect glass for damage before installation.
- Extreme caution should be taken while handling the glass during installation as the tempered glass may shatter if in contact with a hard surface.
- Do not cut or modify the tempered glass as it will shatter if cut.
- Carefully remove product from packaging and keep packaging until installation is complete.
- Inspect all parts for damage or missing; if there is damage or part missing to the unit prior to installation, please contact customer service at the number provided in this guide.
- Cover the drain with tape to prevent the loss of small parts.
- The shower base and finished walls should be installed before beginning the shower door installation.
- During the installation,protect the shower floor with a drop cloth to avoid damage.
- This product should be installed by two people who are familiar with construction requirements.Professional installation is recommended!
- Keep this installation manual for future reference.

NOTE: Two people should perform this installaton.

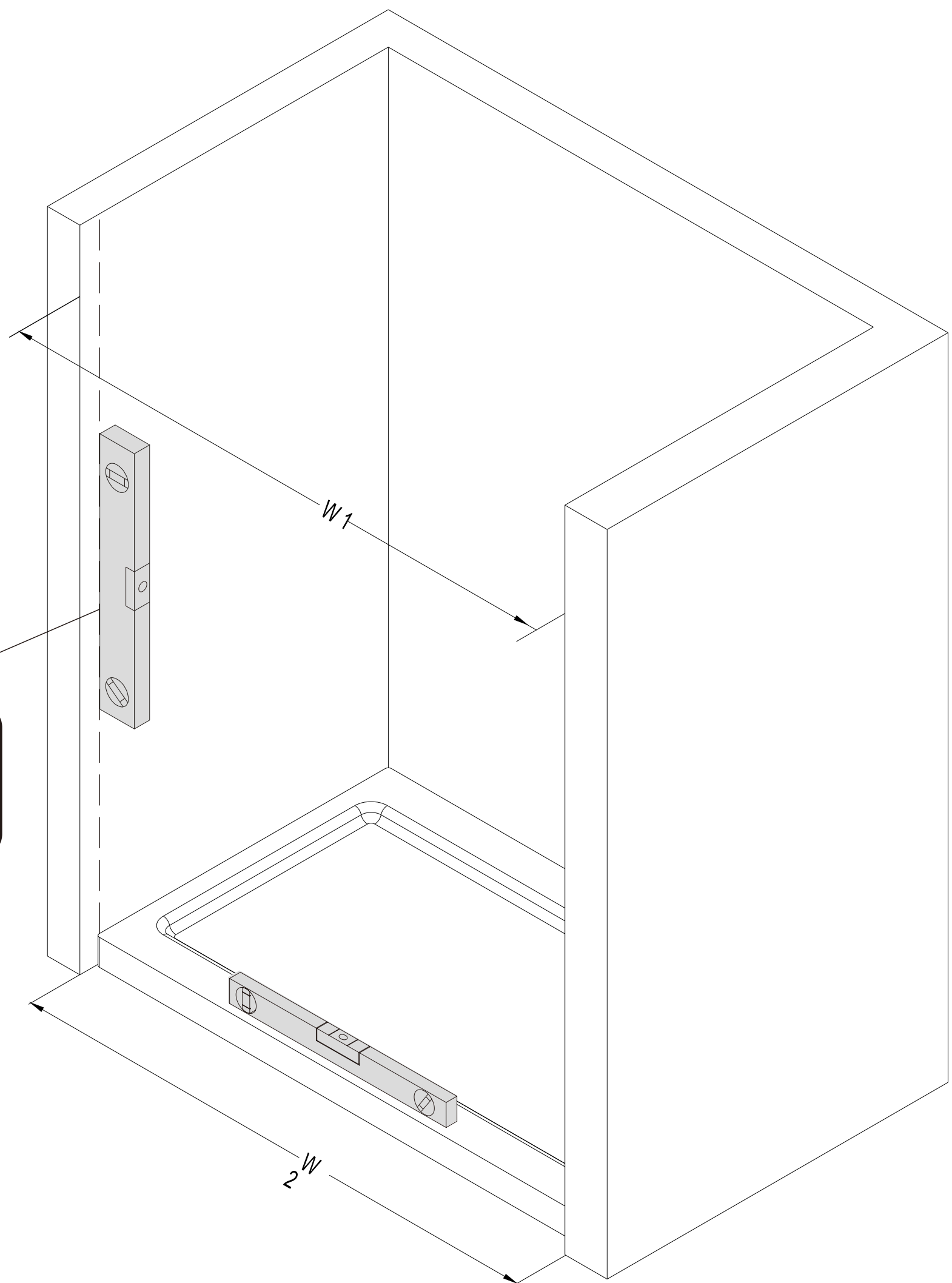


1 Measure the finished opening width.

NOTE

- 1. Measure the finished opening width at the bottom and at the model height.
- Use these dimensions as "W1" (top) and "W2"(bottom) in step #2.
- 2. Also check the threshold for level and the walls for plumb.

1/4"(6mm) Maximum out of plumb adjustment from top to bottom



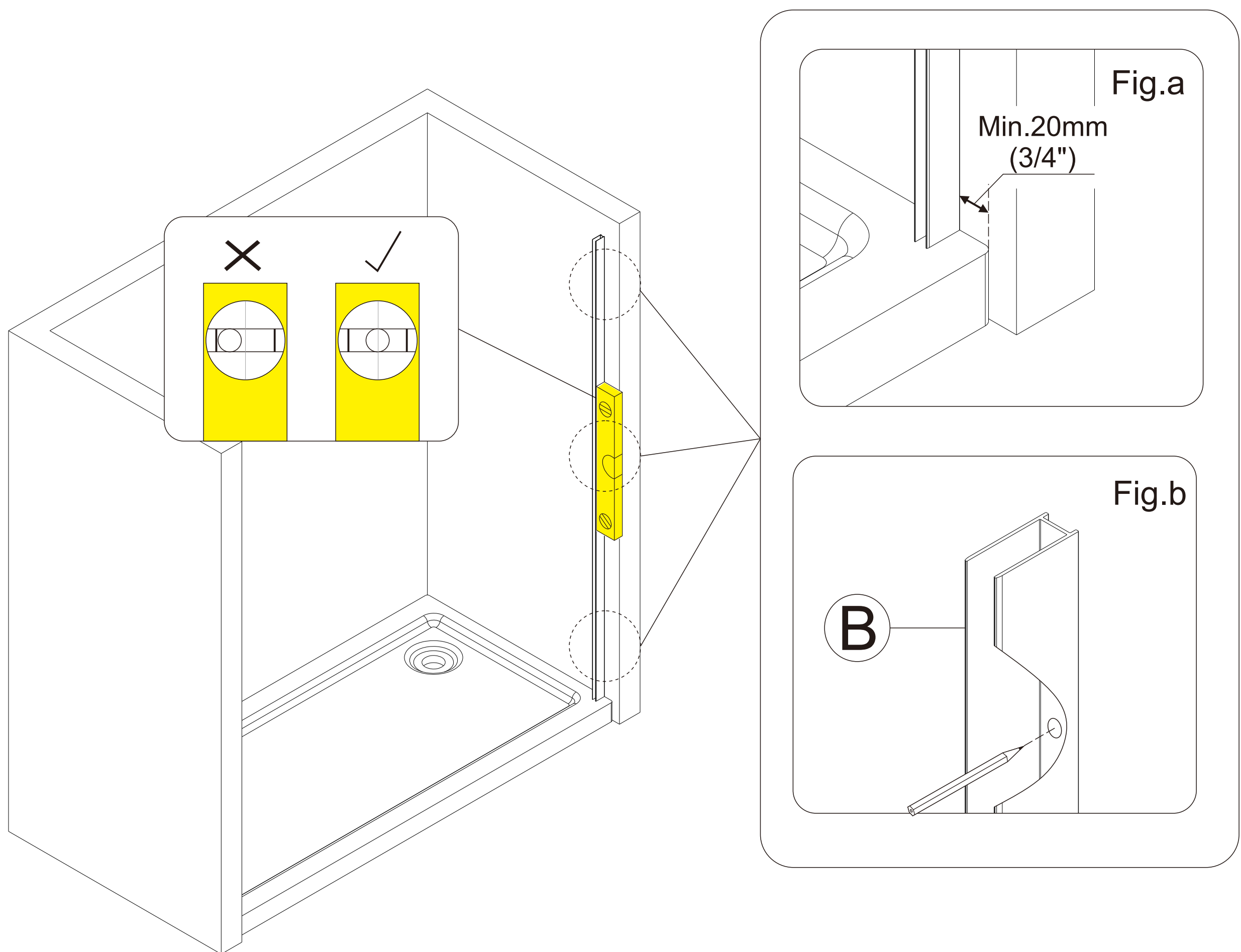
_____ Finished opening top (W1)

_____ Finished opening bottom (W2)

2-1 Determine your step in from the edge of tray and plumb your **Wall Jamb(B)**.

NOTE

1. Determine your starting point from the edge of tray (3/4" (20mm) is recommended) and mark the position as Fig.a .
2. Plumb your **Wall Jamb(B)** on each side and then mark screw holes position as Fig.b .

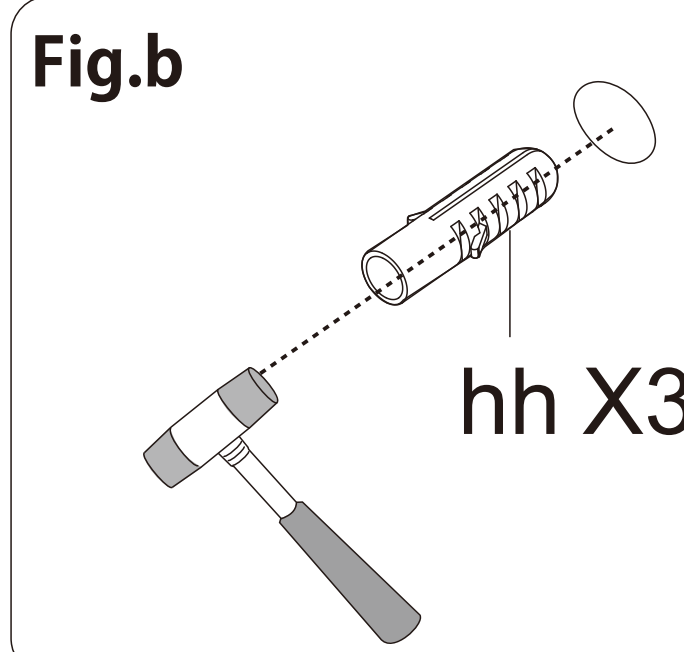
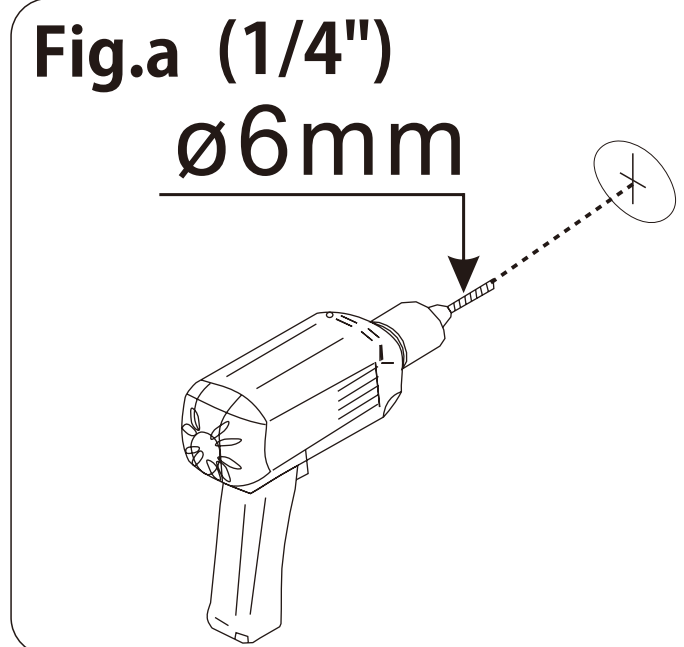
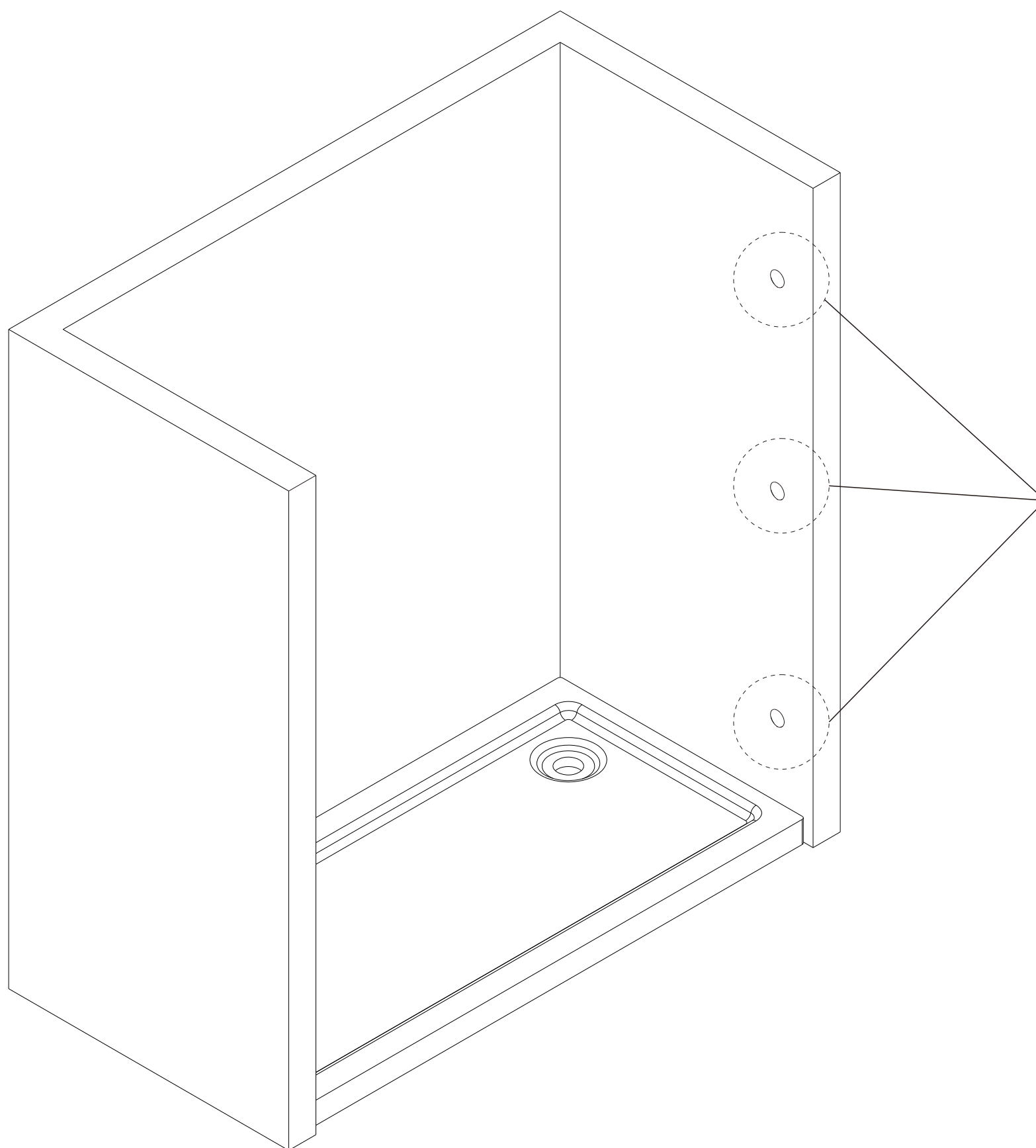


Note: The shower door can be installed left or right, according to the need to determine the installation direction.

2-2 Install **Wall Anchor(hh)**

NOTE

1. Drill holes with ϕ 6mm(1/4") drill bit as Fig.a .
2. Insert **Wall Anchors(hh)** as Fig.b .



NOTE

- If a Stud is present behind the wall:
drill ϕ 1/8" (3mm) pilot holes into the stud and use the ST4.0x30mm **Screws(cc)**
OR
- If NO Stud is present behind the wall:
drill ϕ 1/4" (6mm) holes and insert the **Wall Anchors(hh)** and use the ST4.0x30mm **Screws(cc)**.

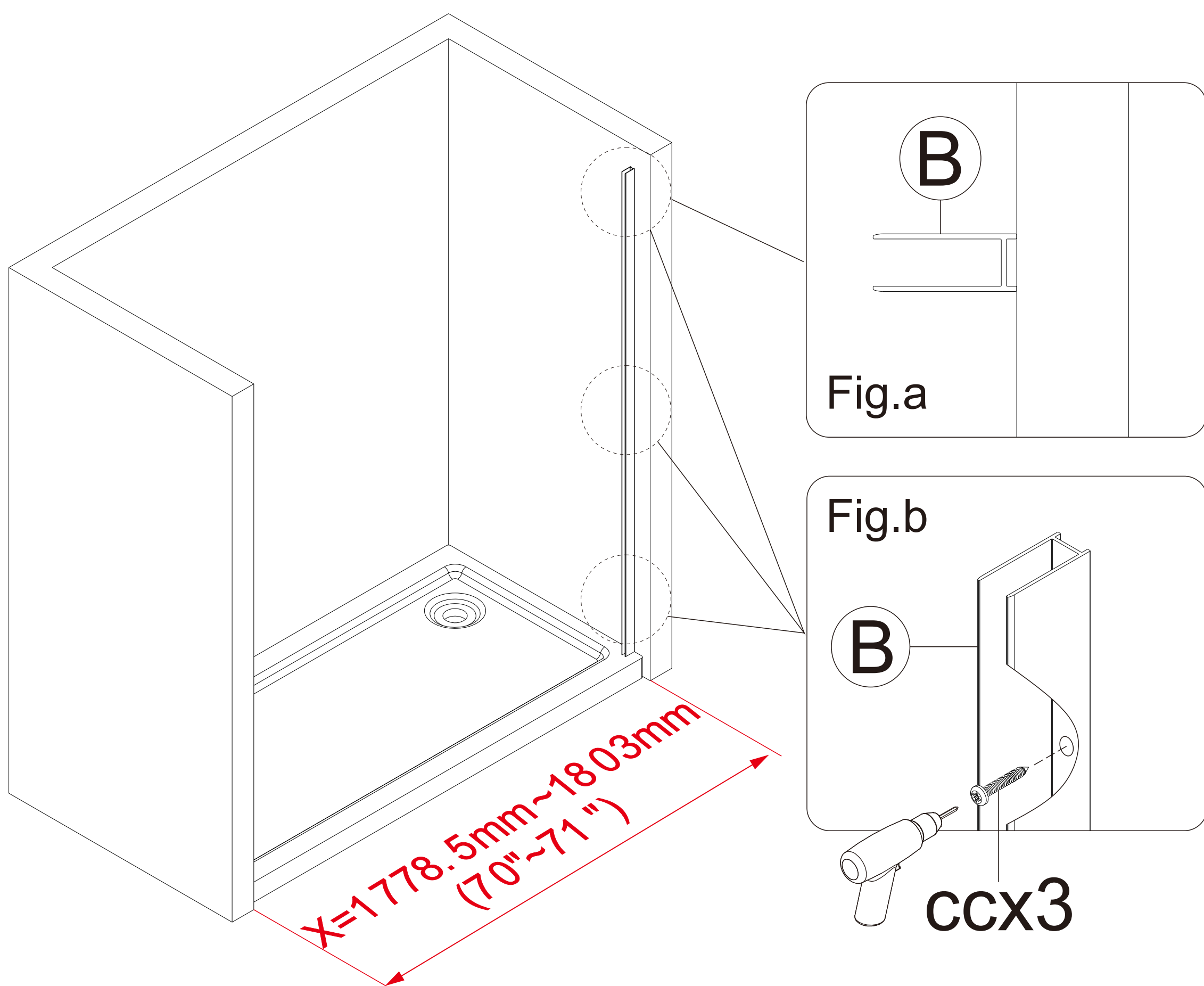


Note: The shower door can be installed left or right, according to the need to determine the installation direction.

2-3 Install **Wall Jamb(B)**

NOTE

1. Model width X=(70"~71"), only need to install **Wall Jamb (B)** as Fig.a and Fig.b.
2. If the size of the model is more than 71", please refer to steps 2-4

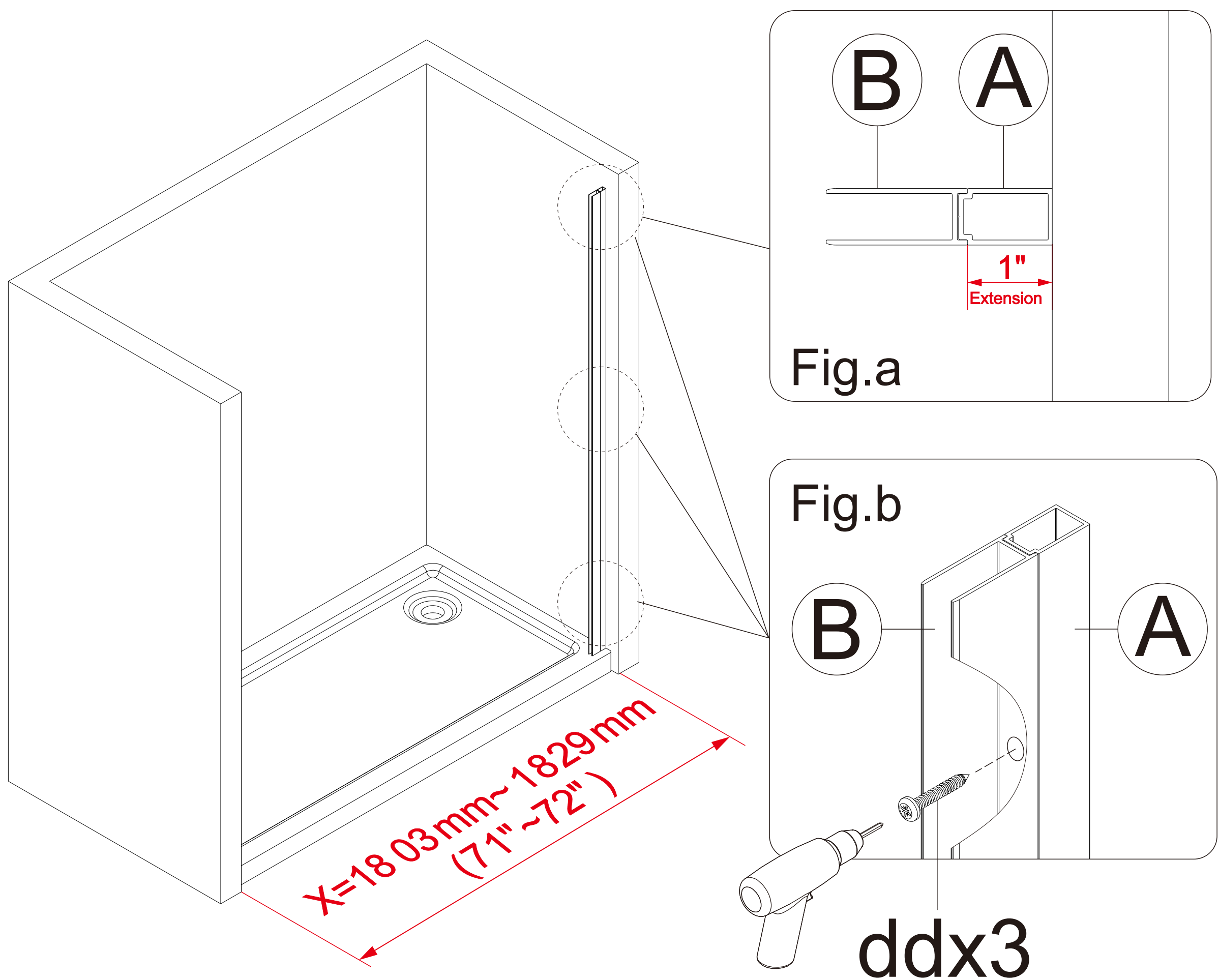


Note: The shower door can be installed left or right, according to the need to determine the installation direction.

2-4 Install Wall Jamb(A&B)

NOTE

1. Model width X=(71"~72"), you need to install **Wall Jamb (B)** and **Wall Jamb (A)** as Fig.a and Fig.b



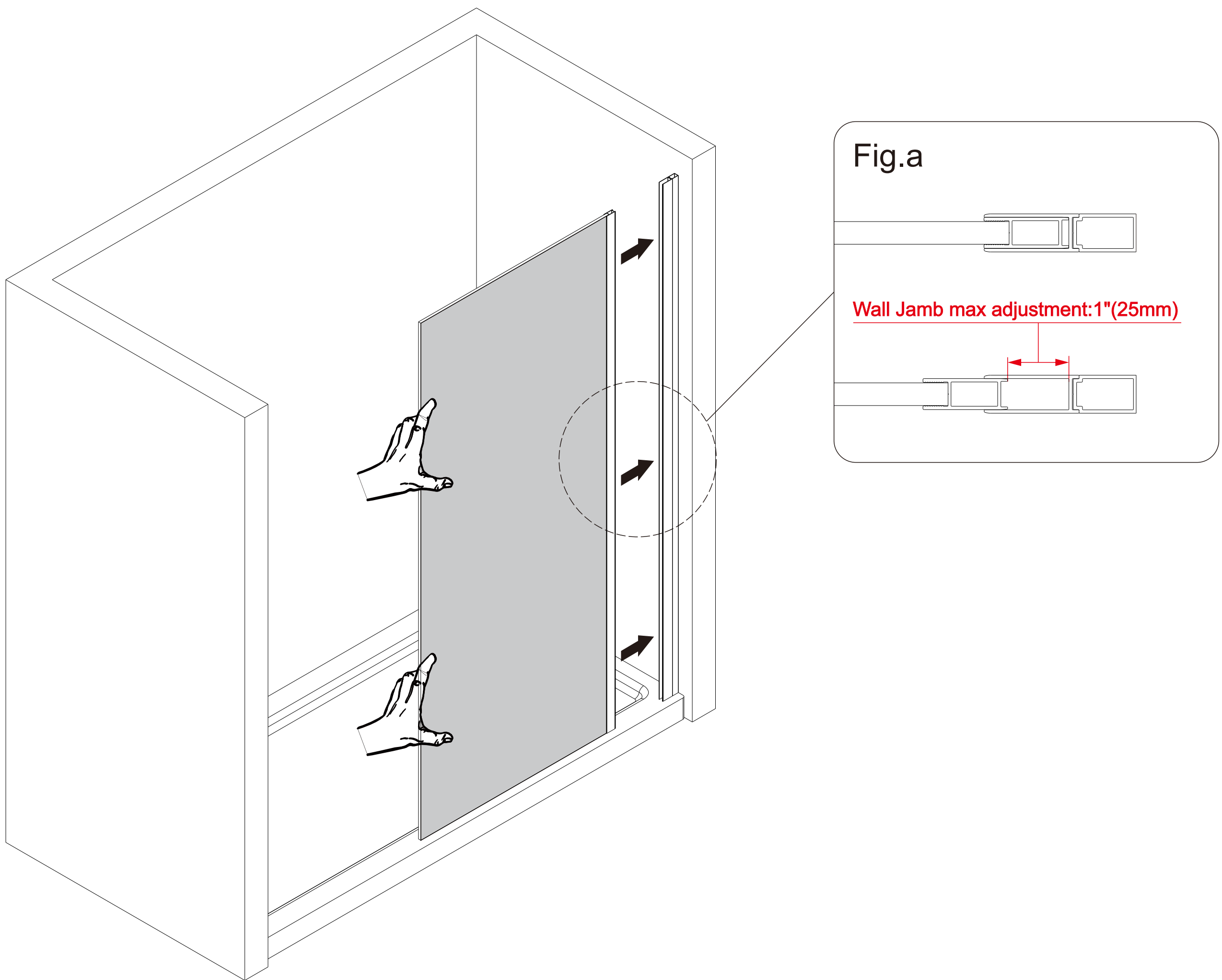
This instruction manual uses the maximum size as a reference, so please install the wall jamb according to the appropriate size



Note: The shower door can be installed left or right, according to the need to determine the installation direction.

3 Install **Stationary Door(D)**

NOTE 1. Insert the **Stationary Glass (D)** to the **Wall Jamb(B)**, the largest adjustment is 1"(25mm) as Fig.a Do Not screw them yet.



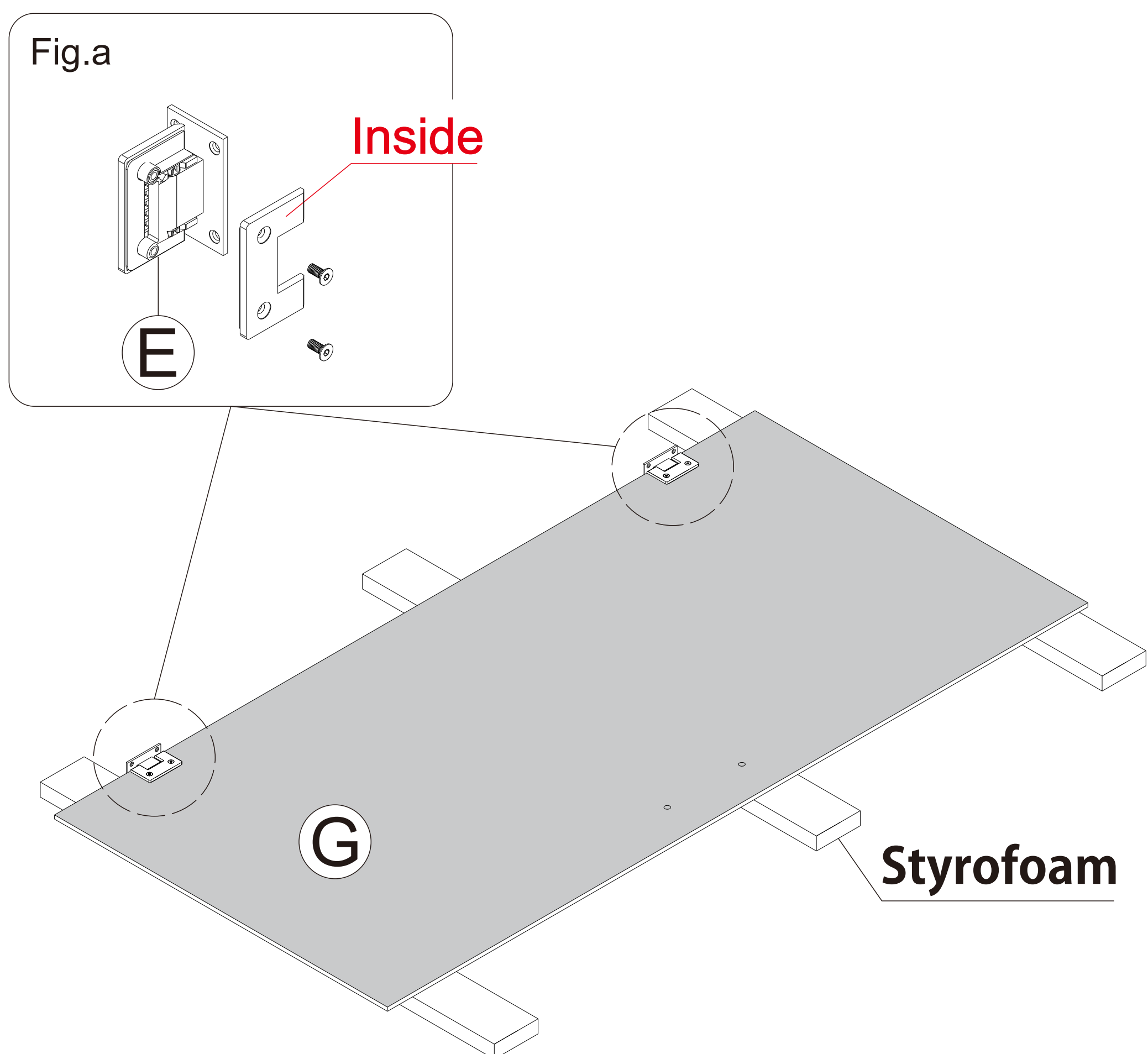
Note: The shower door can be installed left or right, according to the need to determine the installation direction.



This instruction manual uses the maximum size as a reference, so please install the wall jamb according to the appropriate size

4-1 Install Hinge(E)

NOTE 1. Install the Hinge (E) on the Glass Door (G) as Fig.a.



Note: The shower door can be installed left or right, according to the need to determine the installation direction.

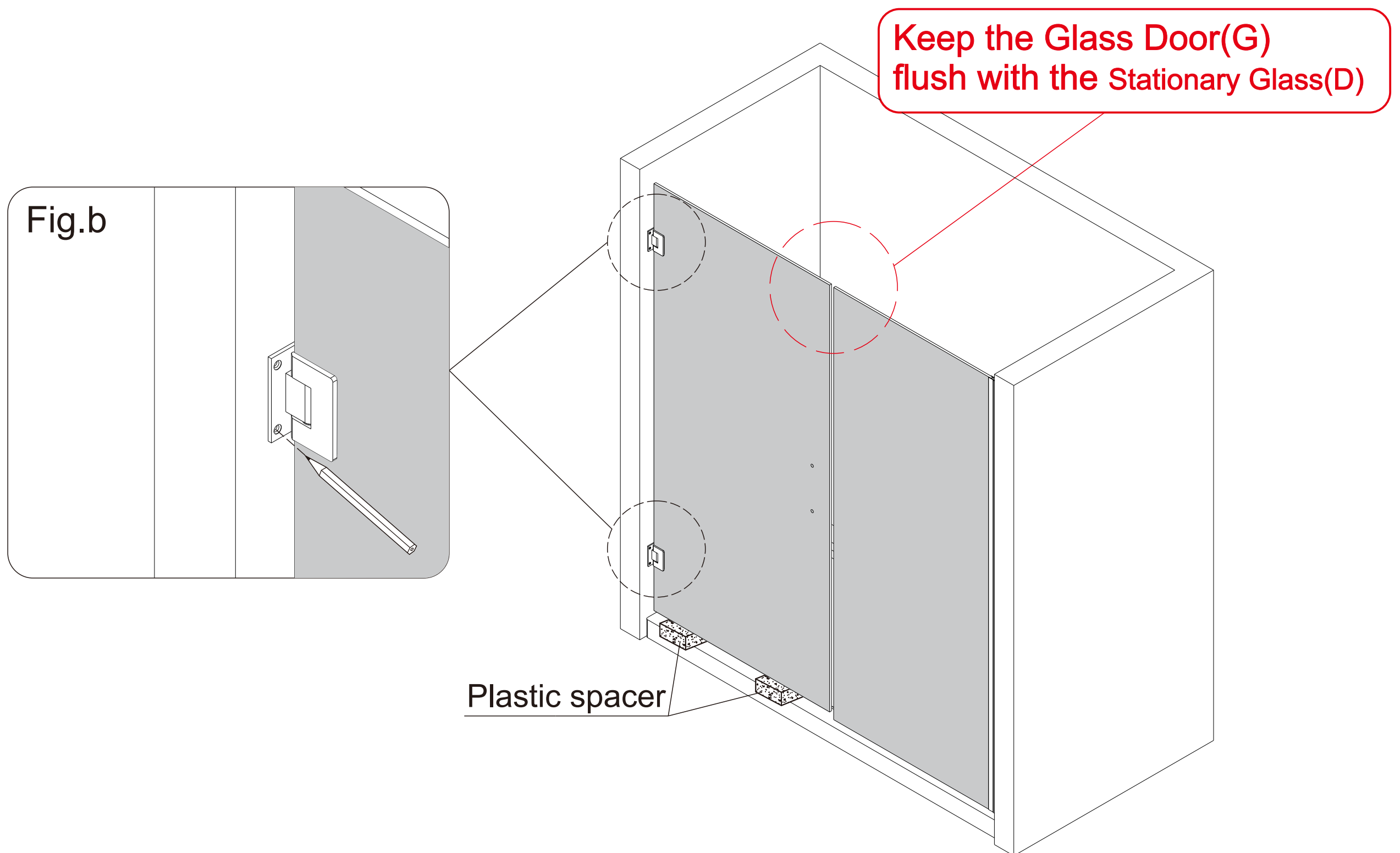
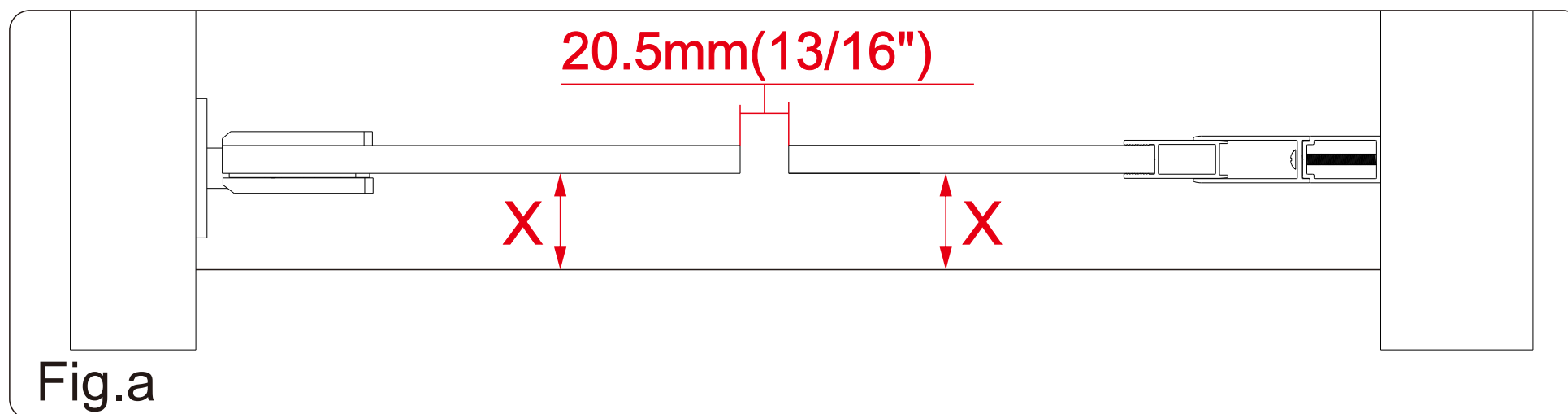


CAUTION: Do not put glass directly on the ground

4-2 Install **Hinge(E)**

NOTE

1. Keep the **Glass Door(G)** flush with the **Stationary Glass(D)** as Fig.a .
2. Use a pencil to mark the **Hinge(E)** holes as Fig.b



This instruction manual uses the maximum size as a reference, so please install the wall jamb according to the appropriate size

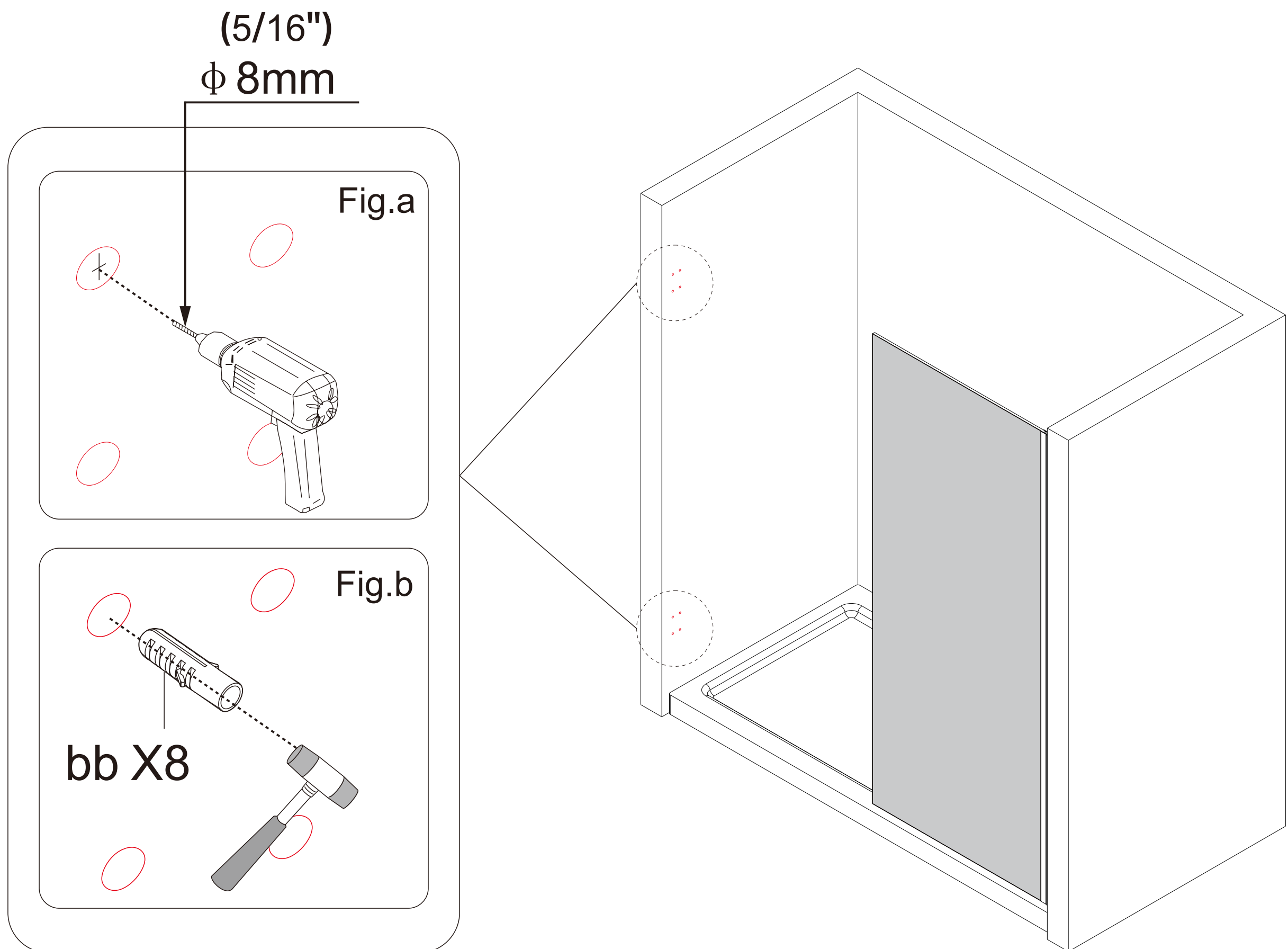


CAUTION: Do not put glass directly on the ground

4-3 Install **Wall Anchor(bb)**

NOTE

1. Drill holes with $\phi 8\text{mm}(5/16\text{'})$ drill bit as Fig.a .
2. Insert **Wall Anchors(bb)** as Fig.b .



NOTE

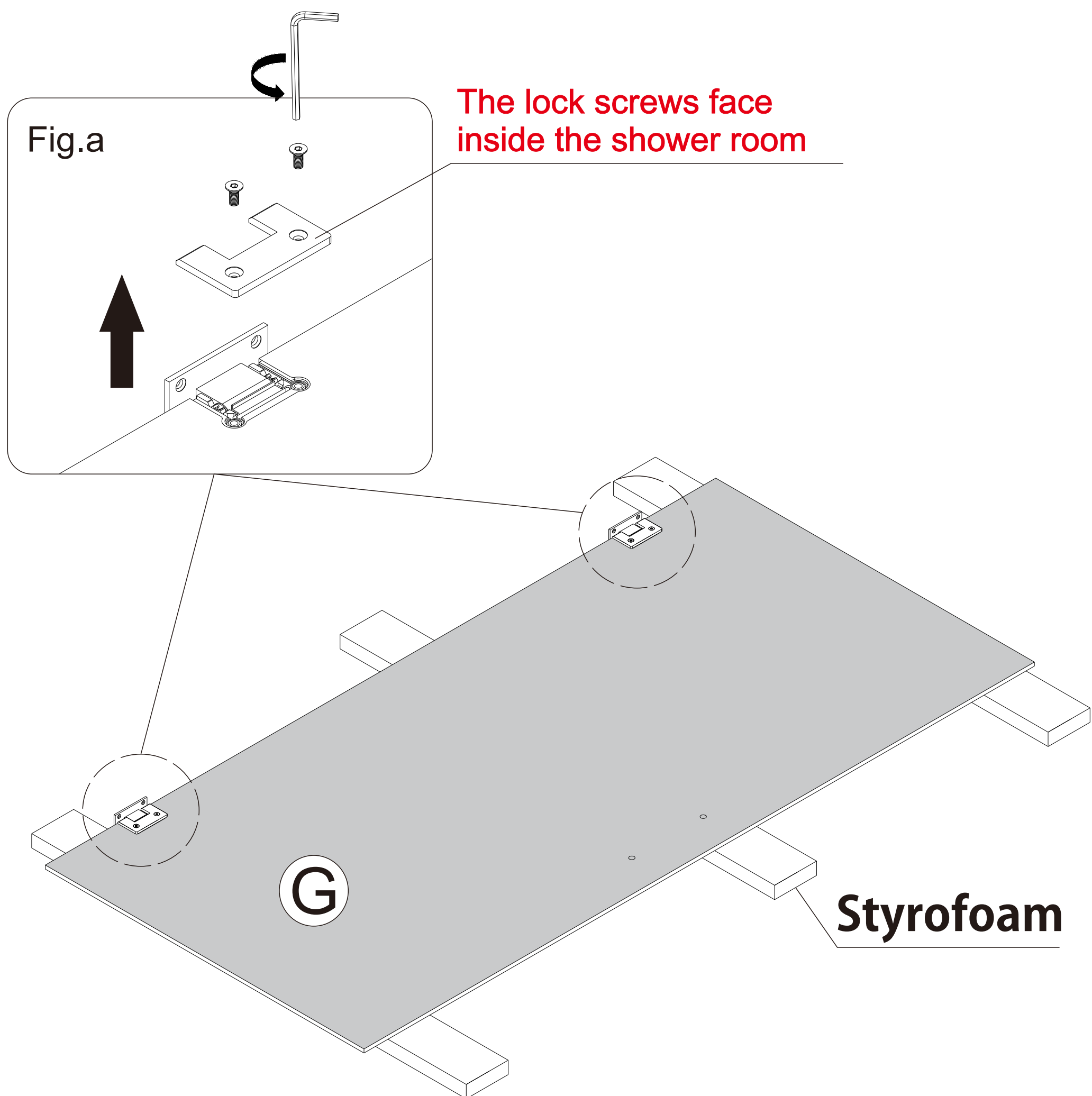
- If a Stud is present behind the wall:
drill $\phi 5/32\text{'}$ (4mm) pilot holes into the stud and use the ST5.0x35mm **Screws(aa)**
OR
- If NO Stud is present behind the wall:
drill $\phi 5/16\text{'}$ (8mm) holes and insert the **Wall Anchors(hh)** and use the ST5.0x35mm **Screws(aa)**.



Note: The shower door can be installed left or right, according to the need to determine the installation direction.

4-4 Install Hinge(E)

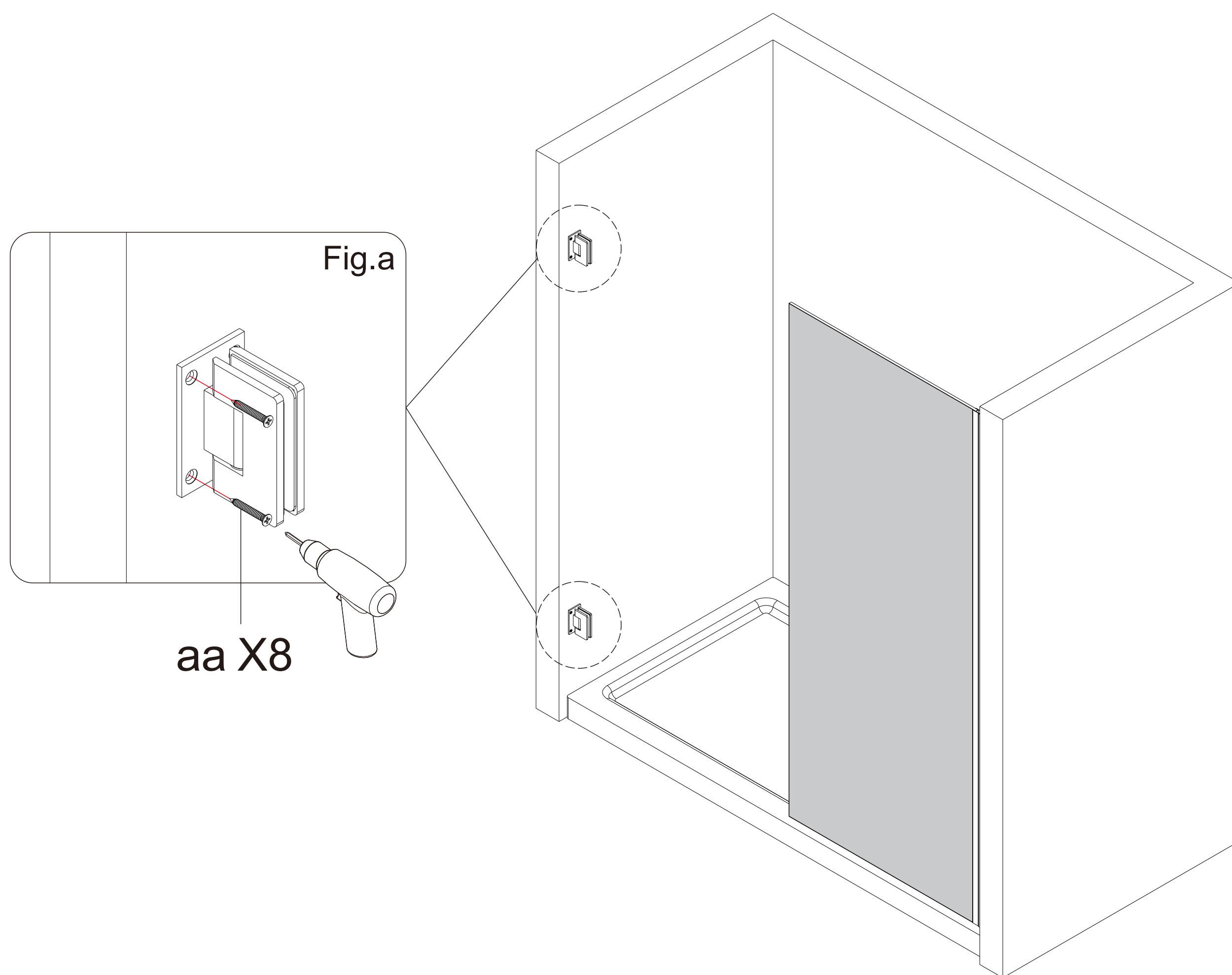
NOTE 1.Remove the Hinge(E) from the Glass Door(G) as Fig.a.



CAUTION: Do not put glass directly on the ground

4-4 Install **Hinge(E)**

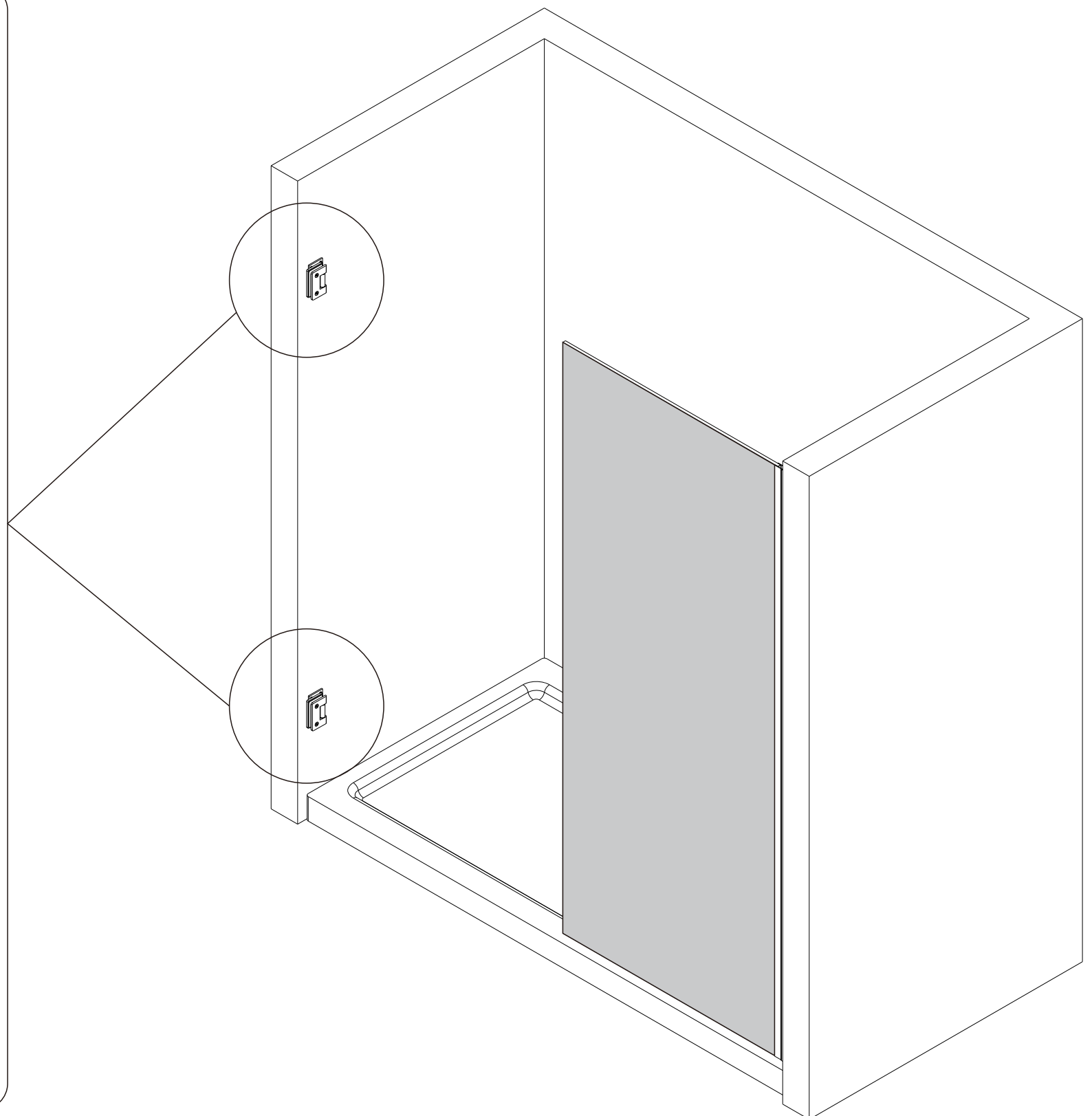
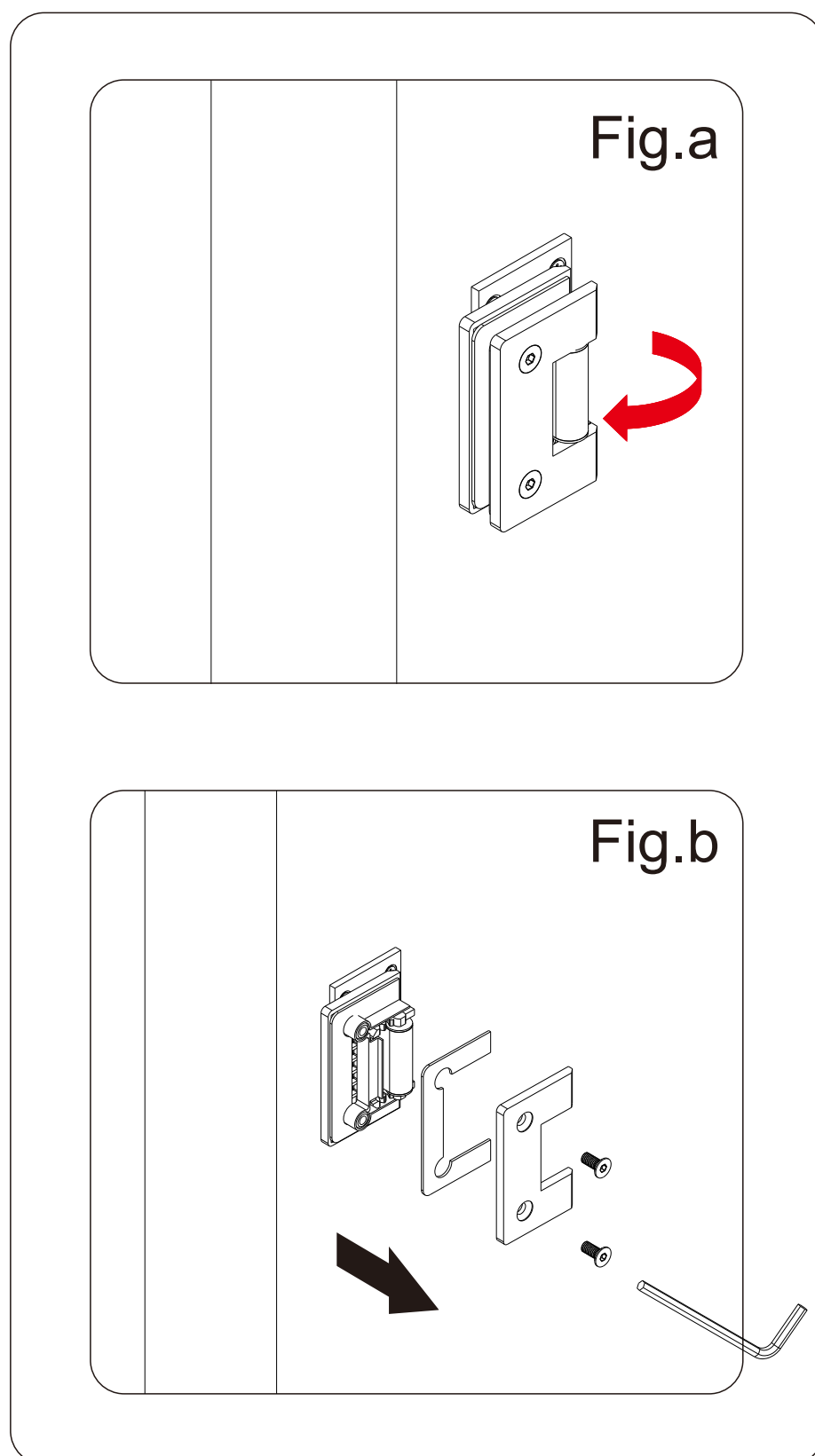
NOTE Secure the **Hinge(E)** to the wall with **Screws(aa)** as Fig.a.



5-1 Install **Glass Door(G)**

NOTE

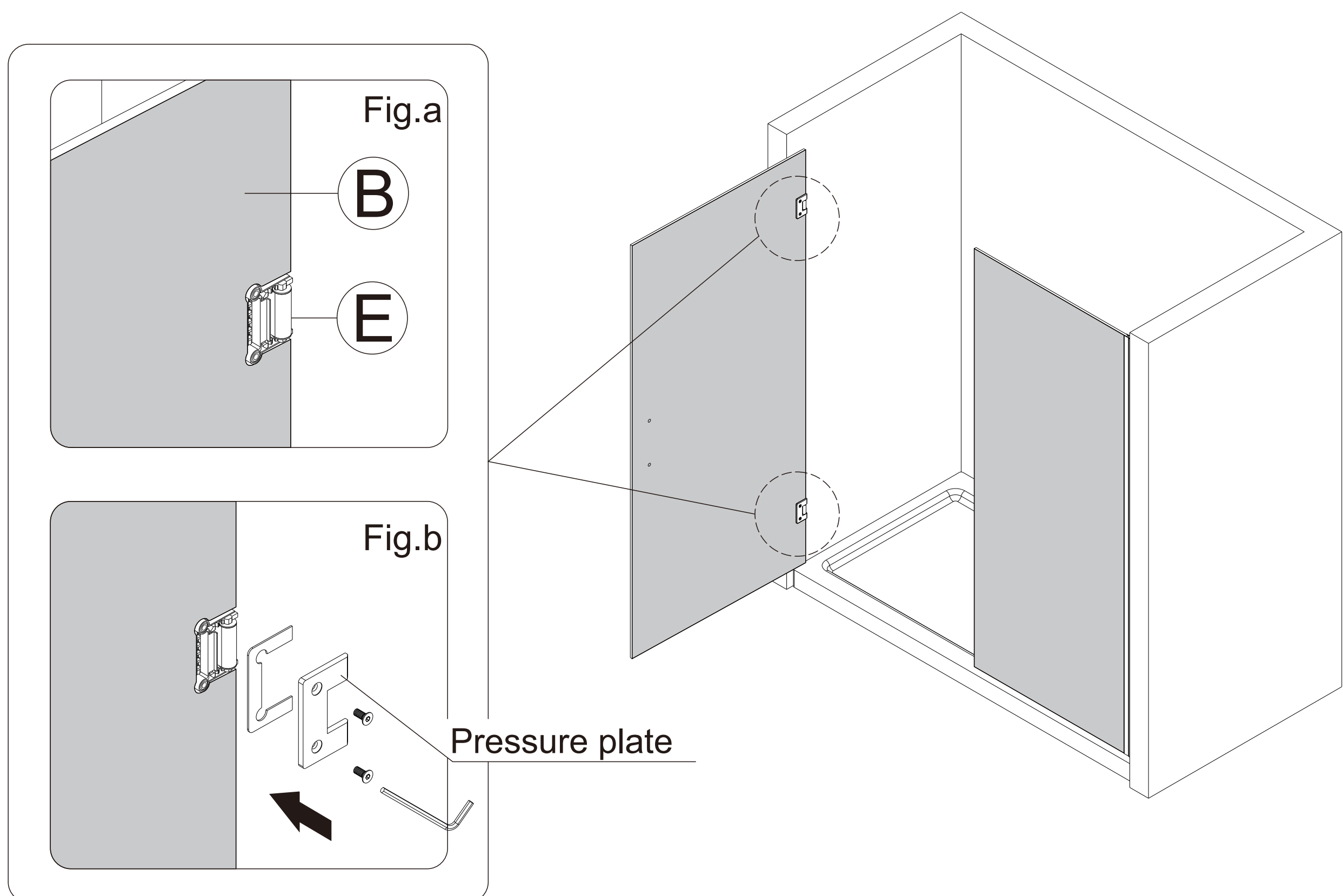
1. Open the **Hinge(E)** outward as Fig.a.
2. Remove the **Hinge's(E)** pressure plate as Fig.b



5-2 Install **Glass Door(G)**

NOTE

1. Install the **Glass Door(G)** on the **Hinge(E)** as Fig.a
2. Secure the **Glass Door(G)** with a pressure plate as Fig.b

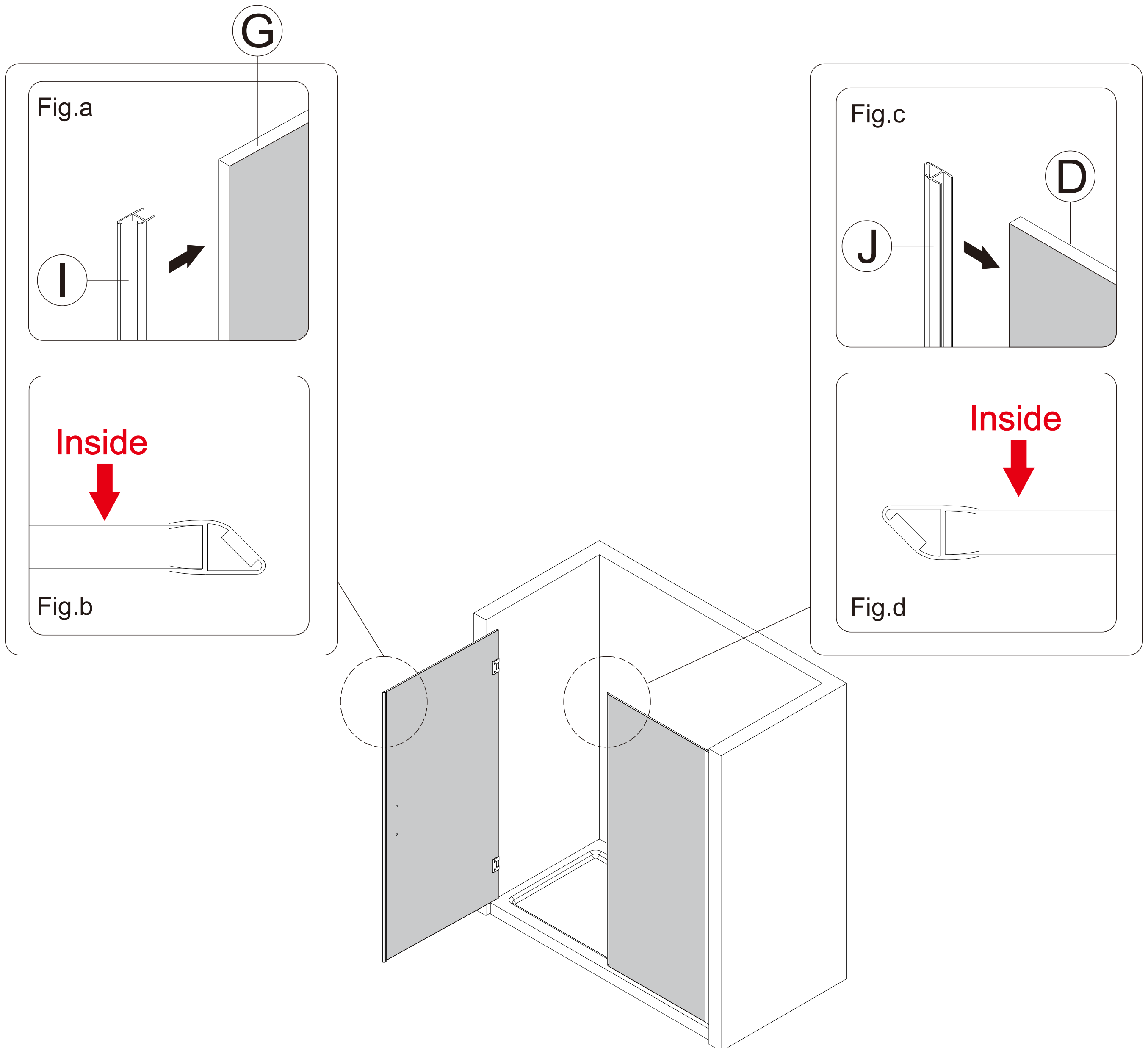


CAUTION: Do not put glass directly on the ground

6 Install Magnetic Strip(I&J)

NOTE

1. Install **Magnetic Strip(I)** on **Glass Door(E)** as Fig.a and Fig.b.
2. Install **Magnetic Strip(J)** on **Stationary Glass(D)** as Fig.c and Fig.d.

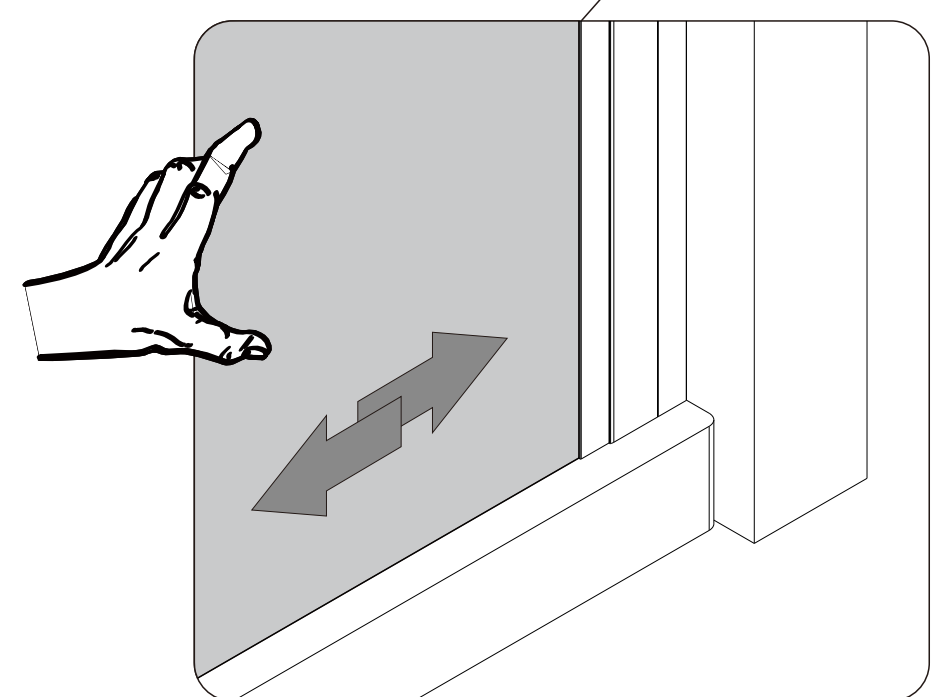
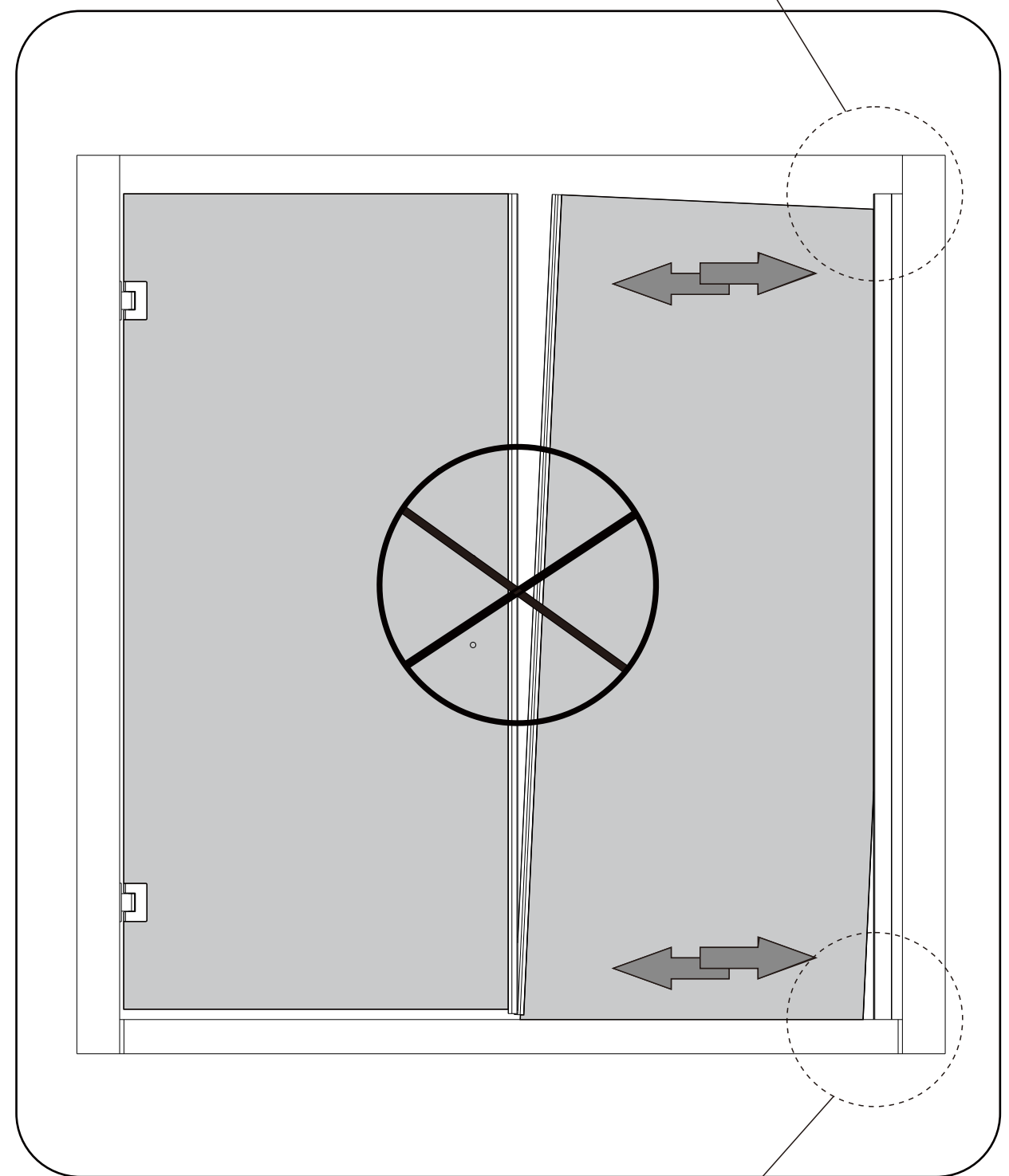
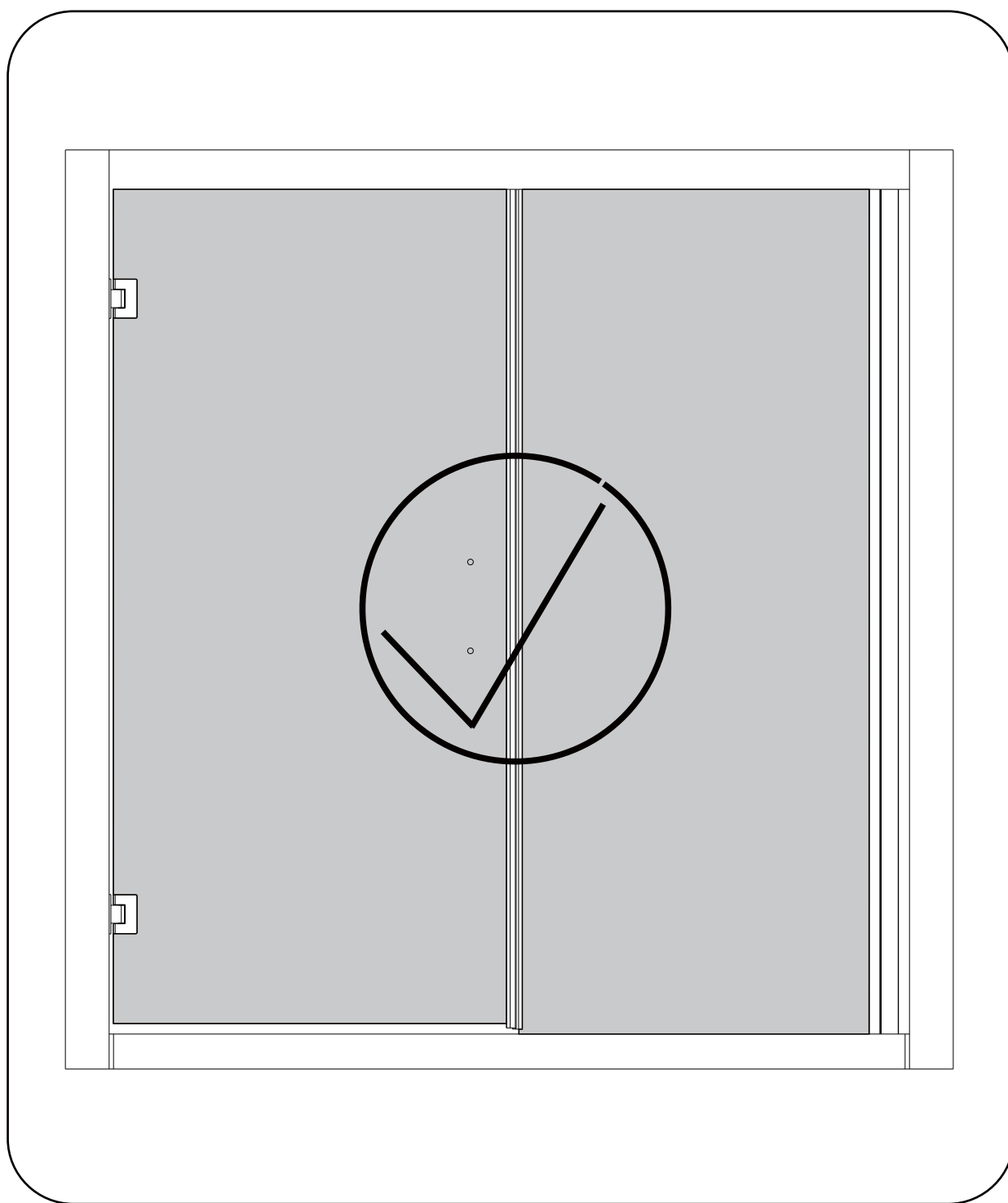
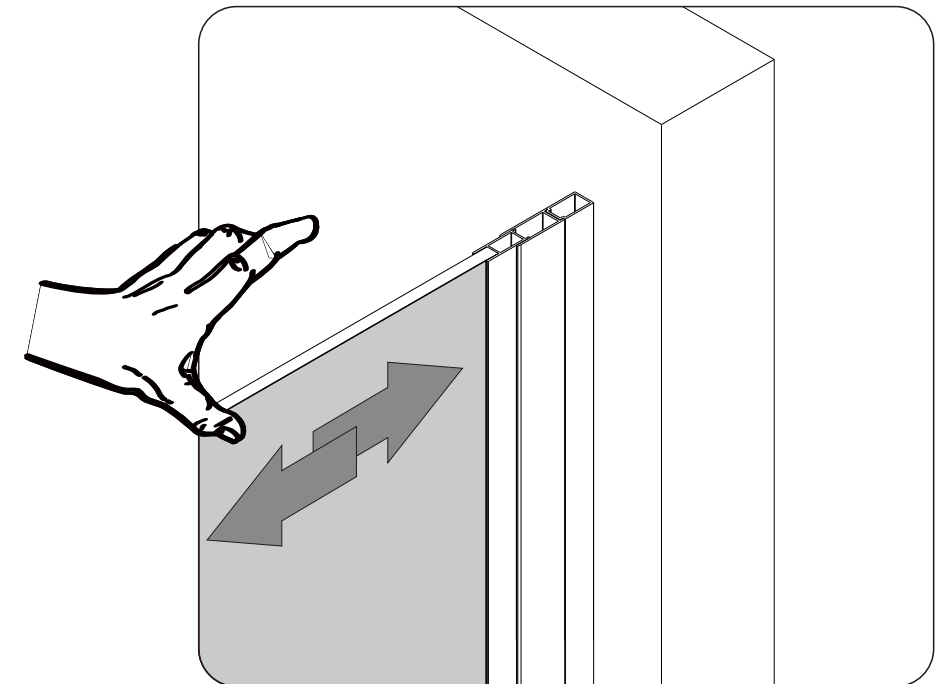


Note: The shower door can be installed left or right, according to the need to determine the installation direction.

7 Adjustment

NOTE

1. Adjust both **Stationary glasses(D)** attached to the **Wall Jams(B)** to make sure that both Doors(E) are properly aligned from top to bottom and at the center of the tray as Fig.c .

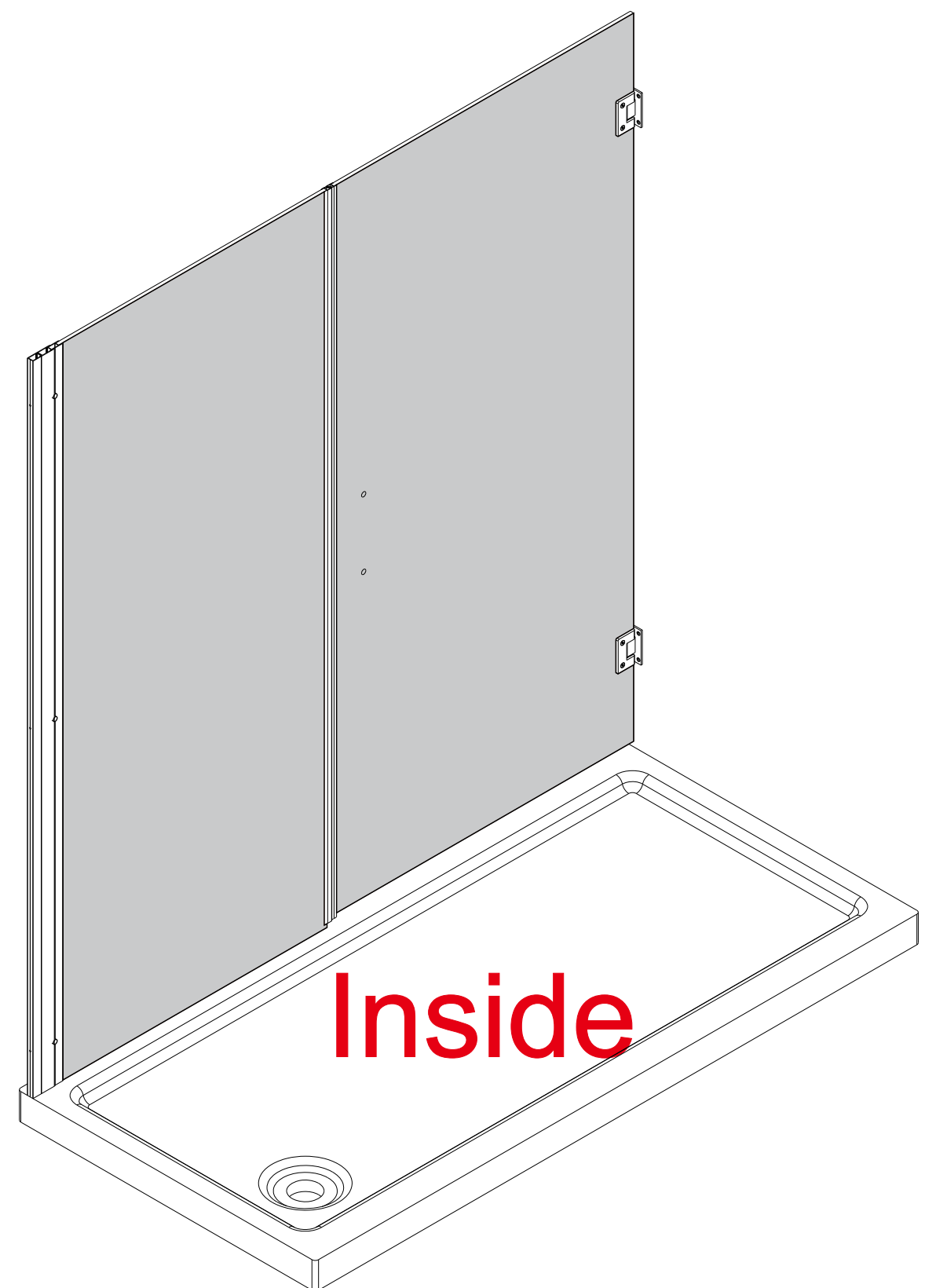
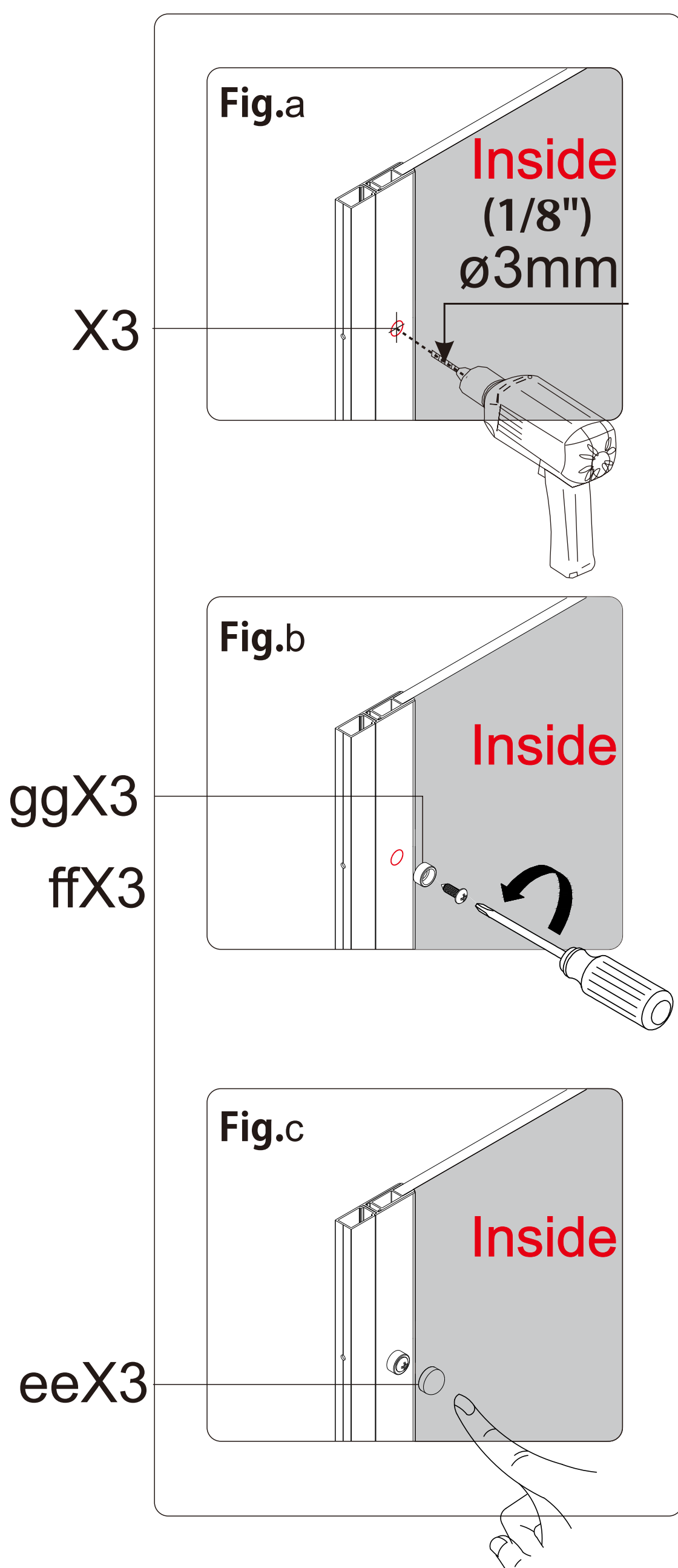


This instruction manual uses the maximum size as a reference, so please install the wall jamb according to the appropriate size

8 Lock Stationary Glass(D)

NOTE

1. Drill 3 holes on the inside of the **Wall Jamb(B)** with 1/8"(3mm) drill bit as Fig.a .
2. Install **Screws(ff)** and screw cover cap **Washers(gg)** as Fig.b .
3. Install **Screw caps(ee)** as Fig.c .

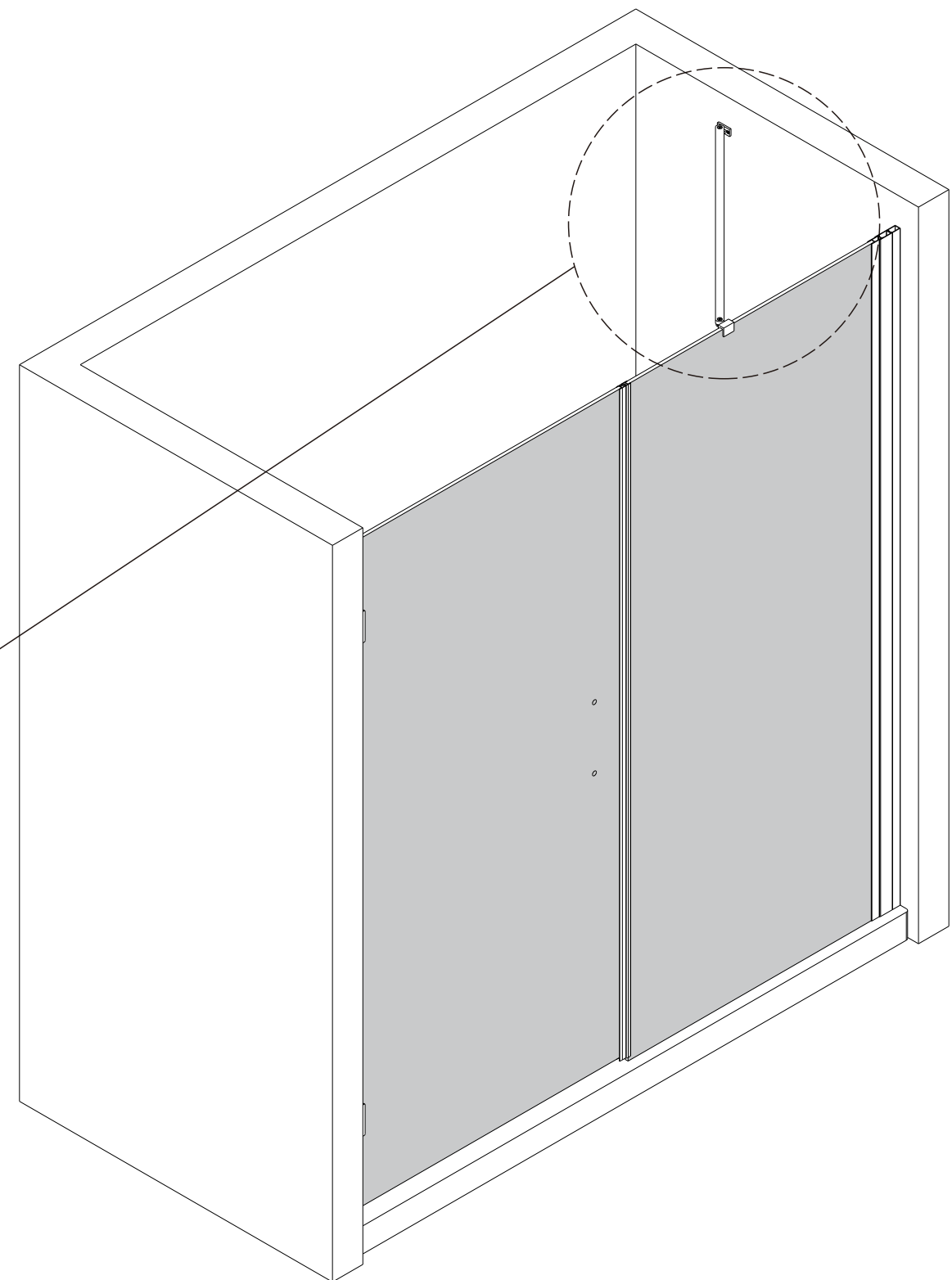
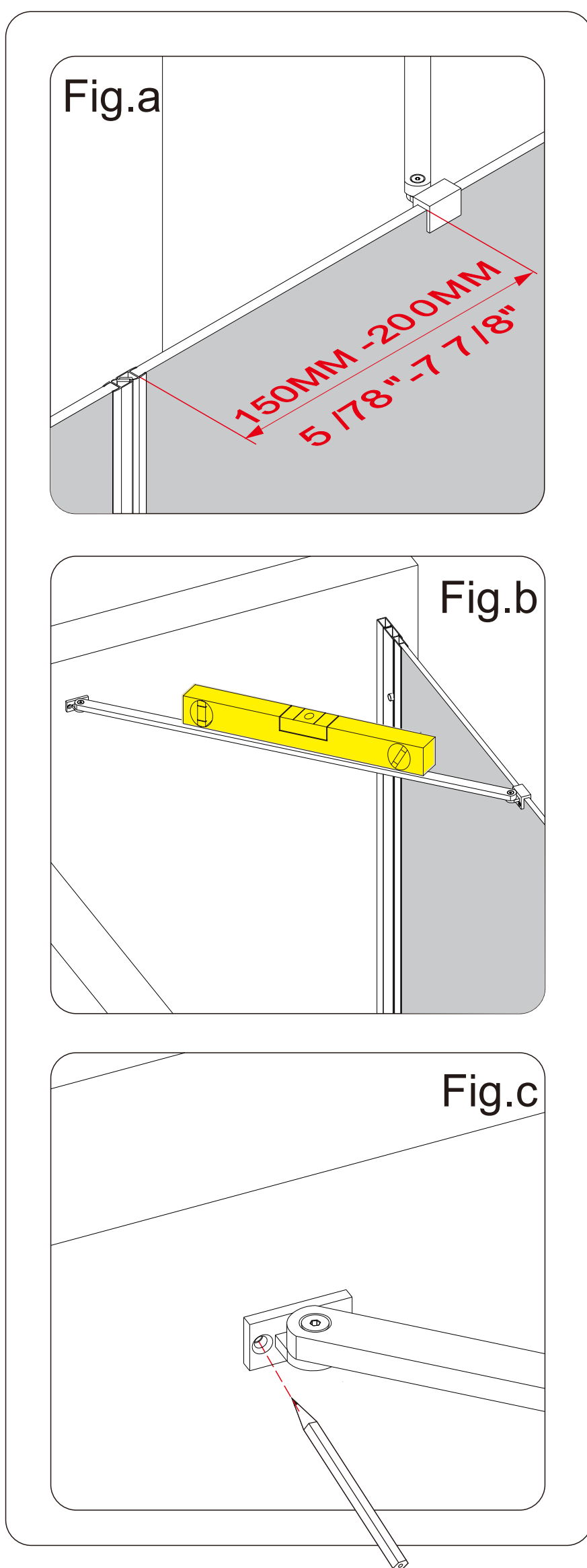


This instruction manual uses the maximum size as a reference, so please install the wall jamb according to the appropriate size

9-1 Install **Support Rod(C)**

NOTE

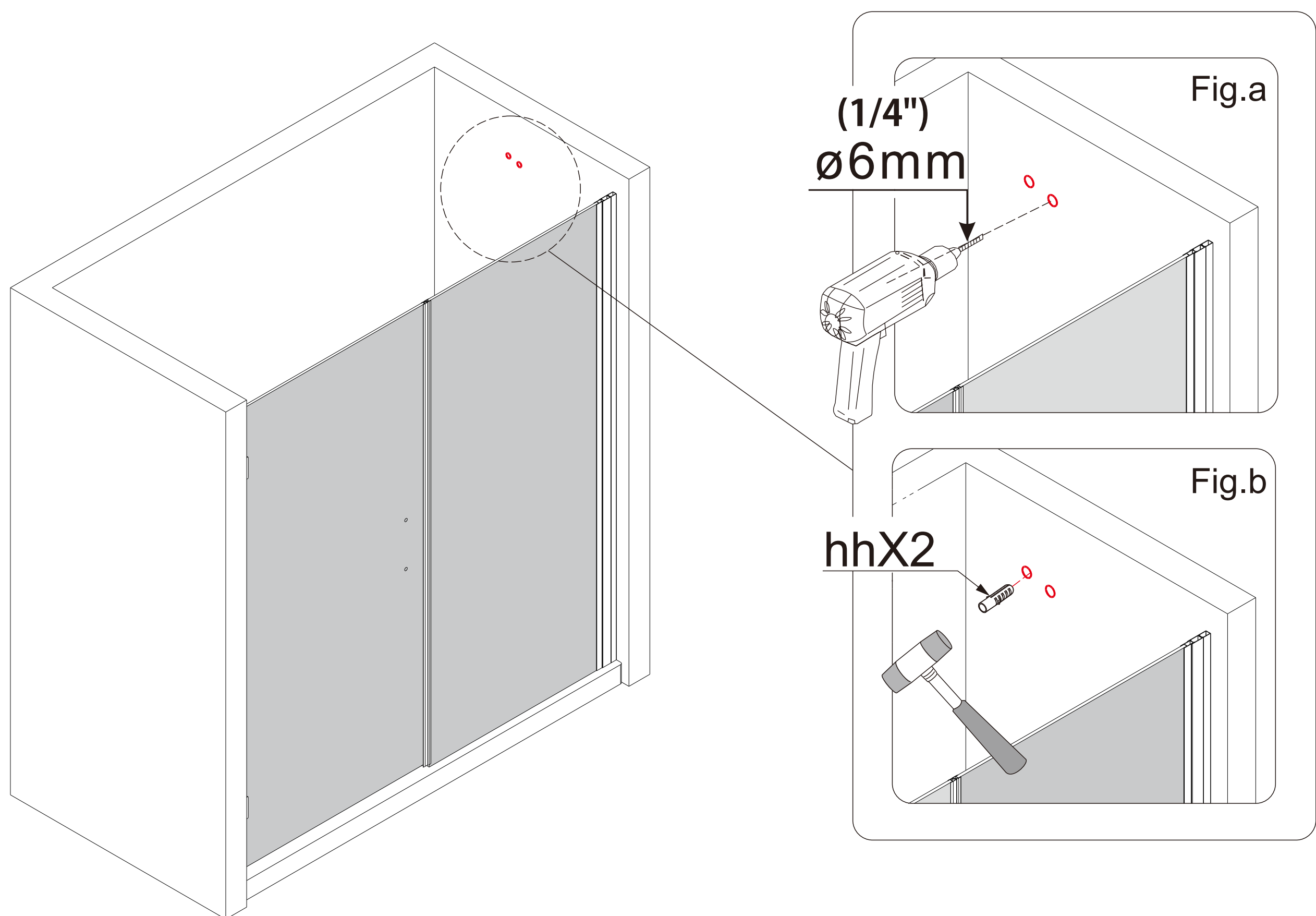
1. Put the one side of **Support Rod(C)** to the **Stationary Glass(D)**, adjust the position as Fig.a .
- 2.Keep it level and mark a fix point for the **Support Rod(C)** to the wall as Fig.b and Fig.c



9-2 Install **Wall Anchor(hh)**

NOTE

1. Drill hole on the marked point as Fig.a.
2. Fix a **Wall Anchor(hh)** to the wall as Fig.b



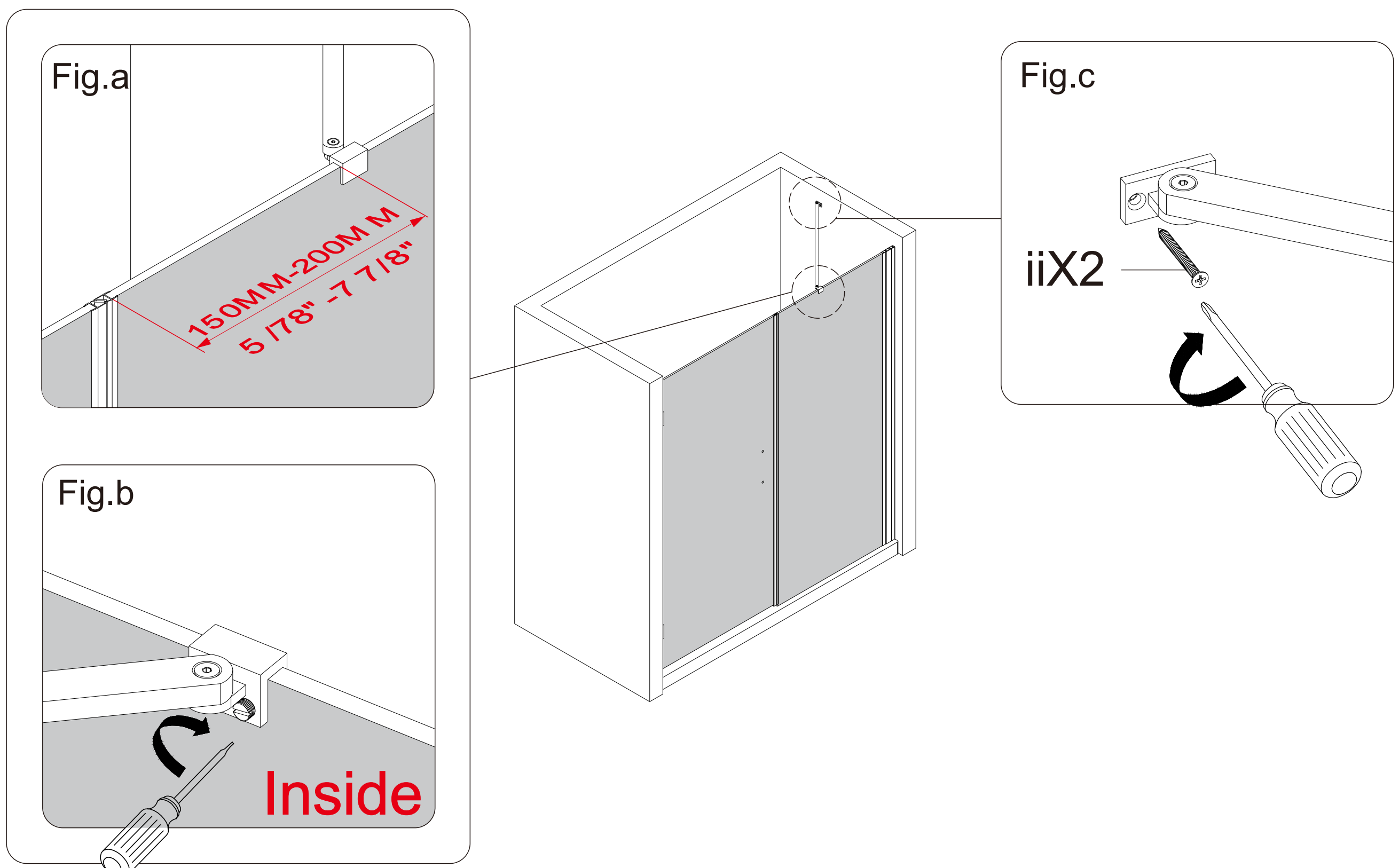
NOTE

- If a Stud is present behind the wall:
drill ϕ 1/8" (3mm) pilot holes into the stud and use the ST4.0x30mm **Screws(ii)**
OR
- If NO Stud is present behind the wall:
drill ϕ 1/4" (6mm) holes and insert the **Wall Anchors(hh)** and use the ST4.0x30mm **Screws(ii)**.

9-3 Install **Support Rod(C)**

NOTE

1. Place the **Support Rod(C)** to a suitable position as Fig.a .
2. Fasten the **Support Rod(C)** with screws as Fig.b and Fig.c



10-1 Install Connector(L&M) and Alu. Threshold(N)

Fig.a

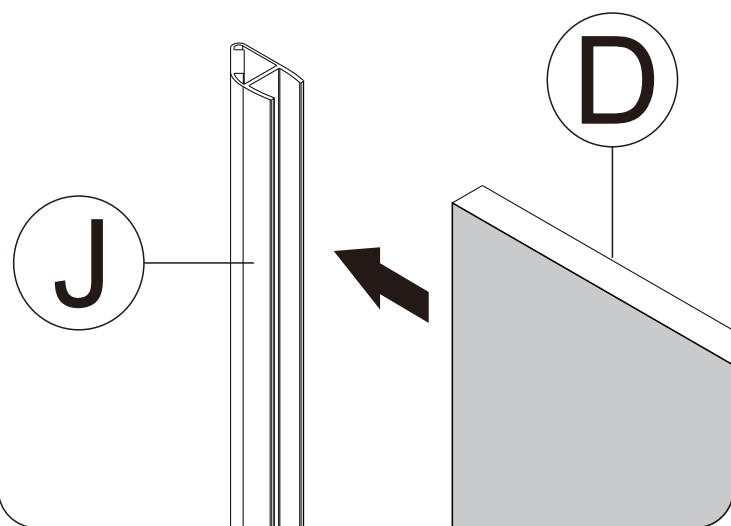


Fig.b

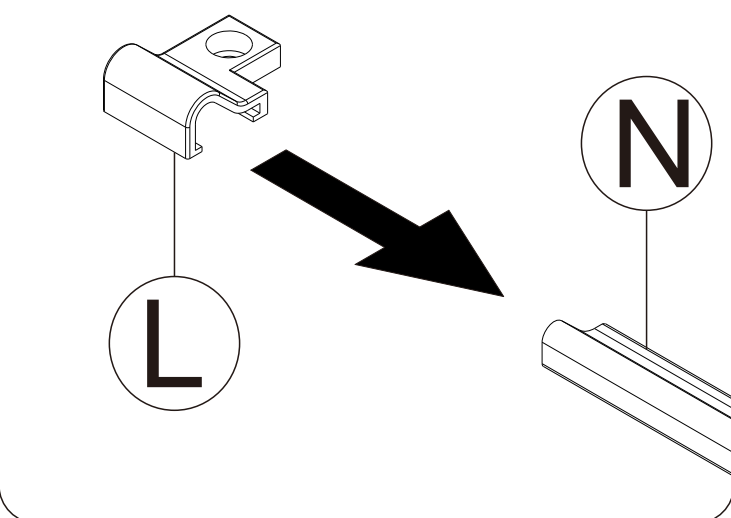
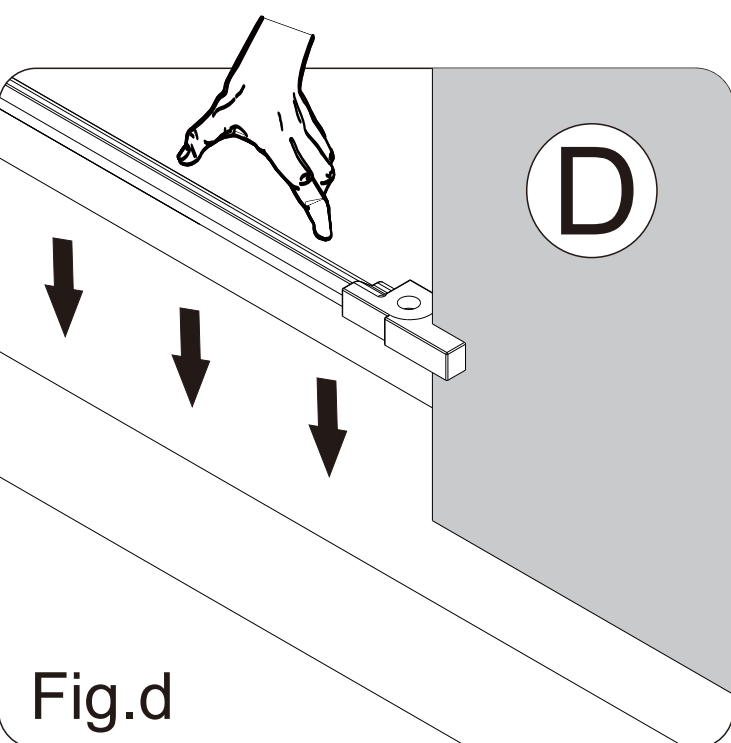
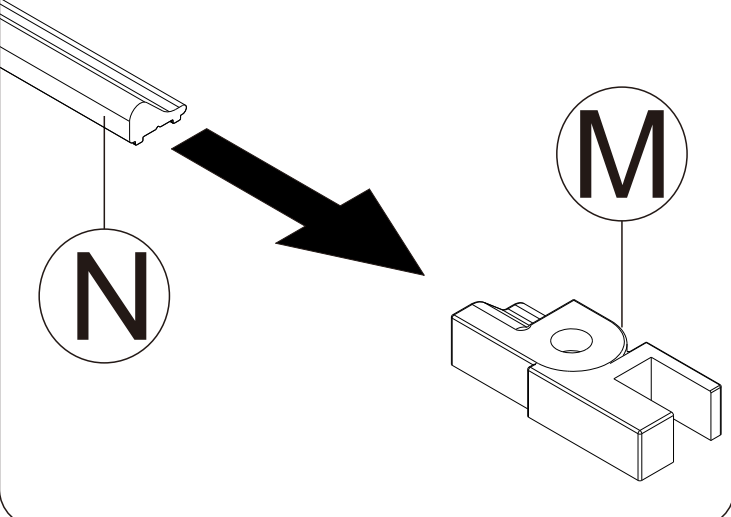
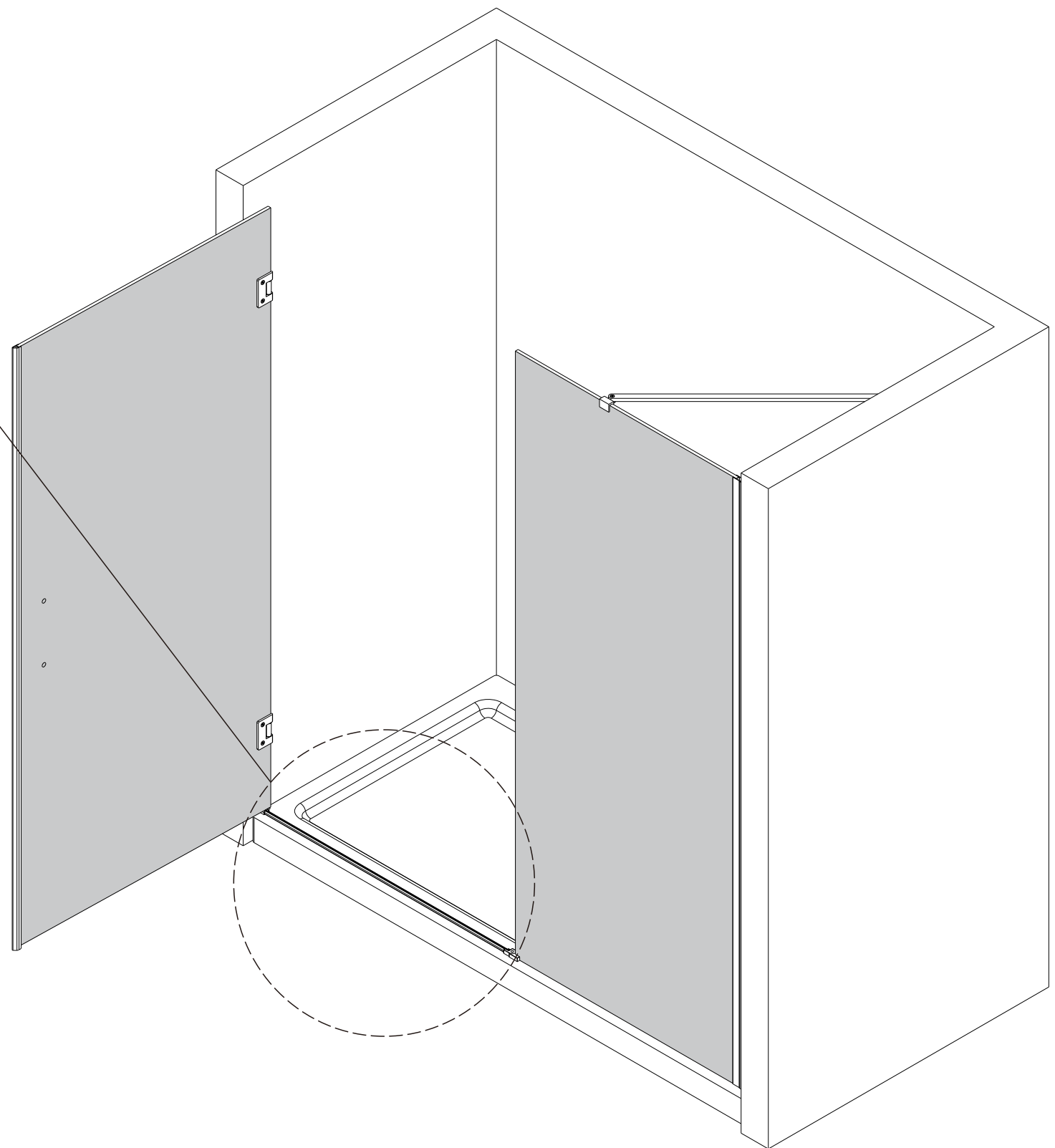


Fig.c



NOTE

- 1.Remove the **Magnetic Strip(J)** on the **Stationary Glass(D)** as Fig.a
- 2.Install the **Connector(L&M)** on the **Alu. Threshold(N)** as Fig.b and Fig.c.
- 3.Install the **Alu. Threshold(N)** on the model as Fig.d

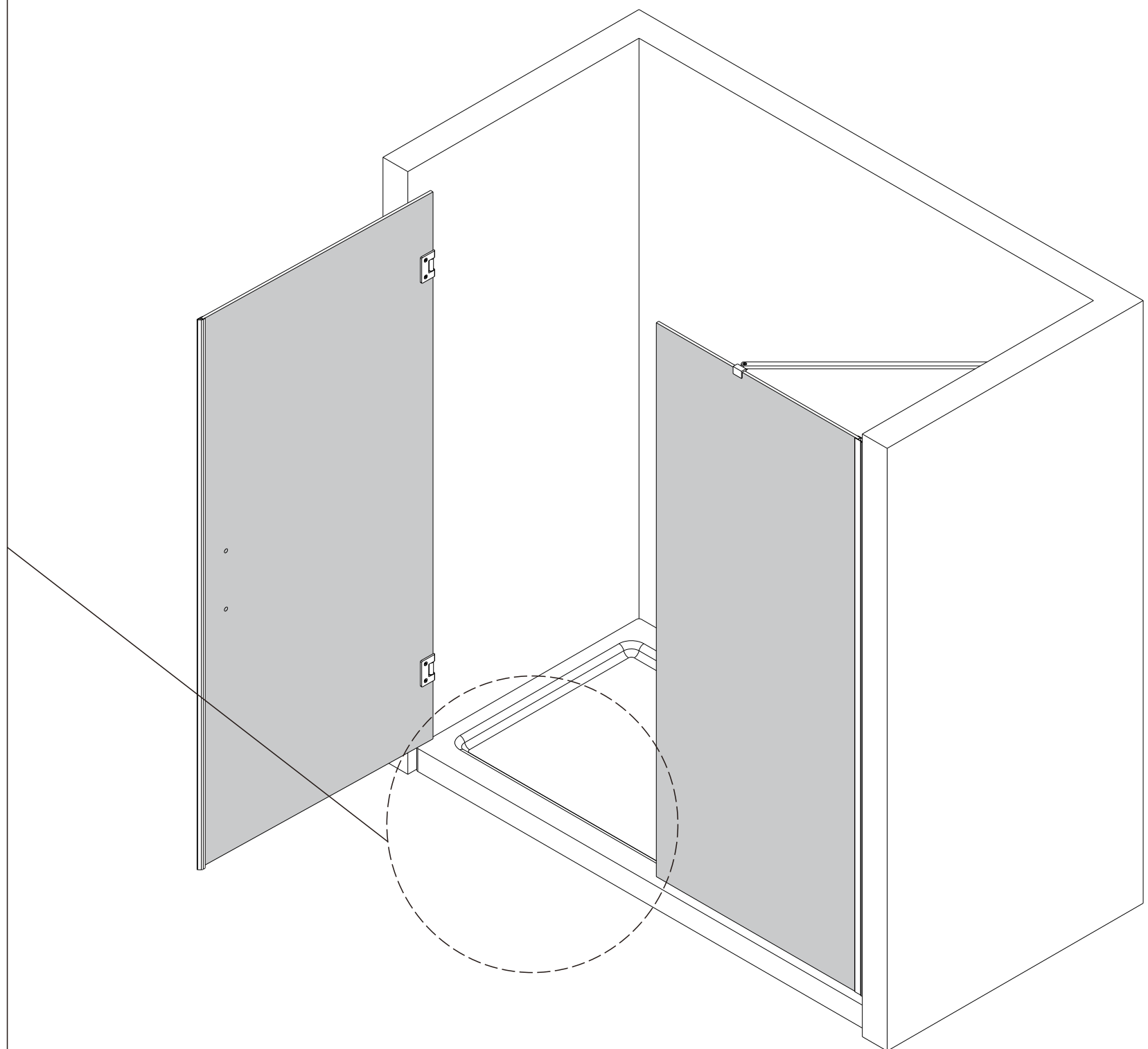
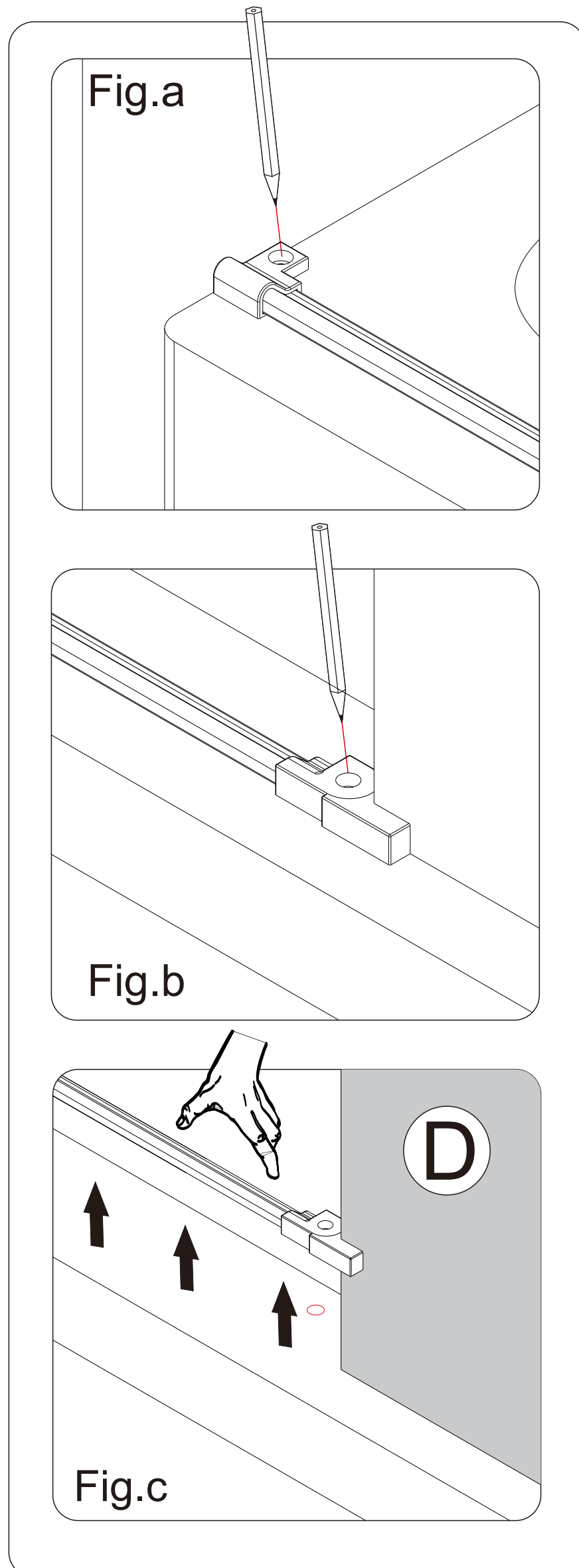


CAUTION:The **Connector(L&M)** is installed left and right according to the direction

10-2 Install Connector(L&M) and Alu. Threshold(N)

NOTE

1. Use a pencil to mark the hole in the **Connector(L&M)** as Fig.a and Fig.b.
2. After marking with a pencil, take out the Alu. Threshold(N) and the Connector(L&M) as Fic.

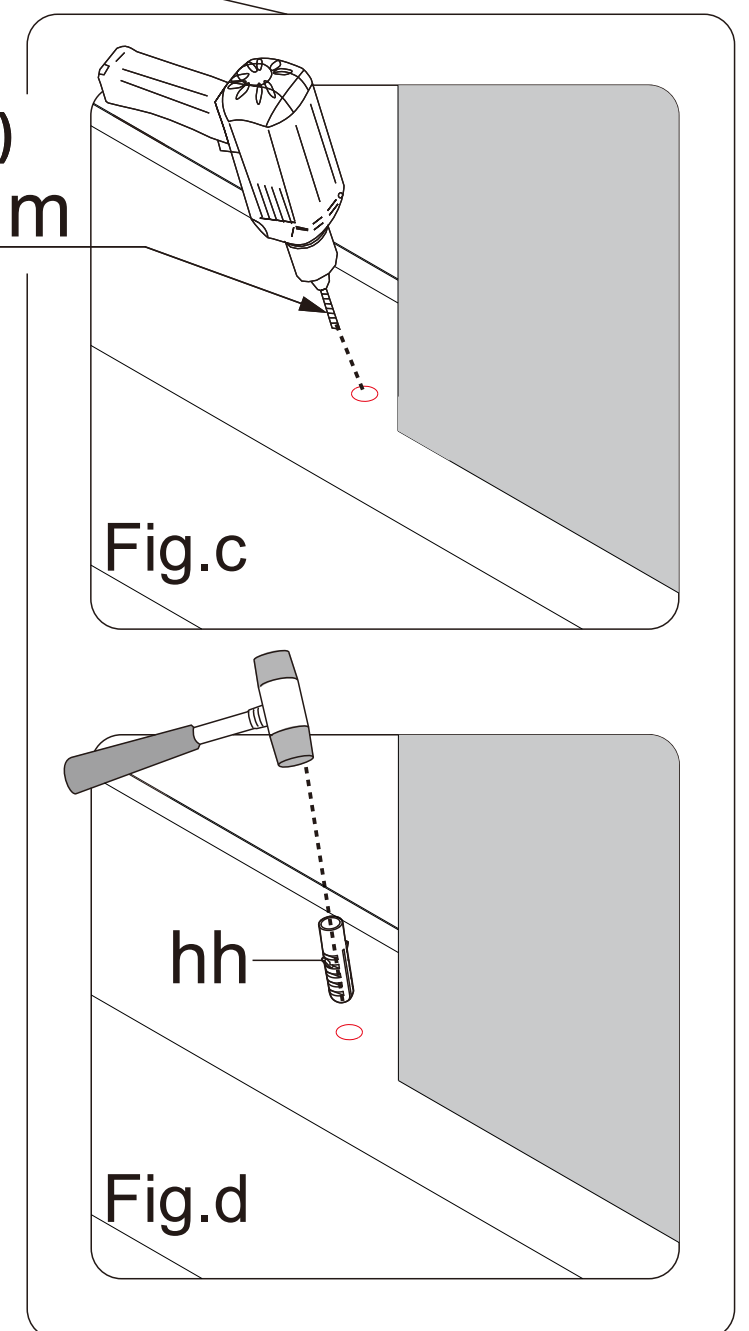
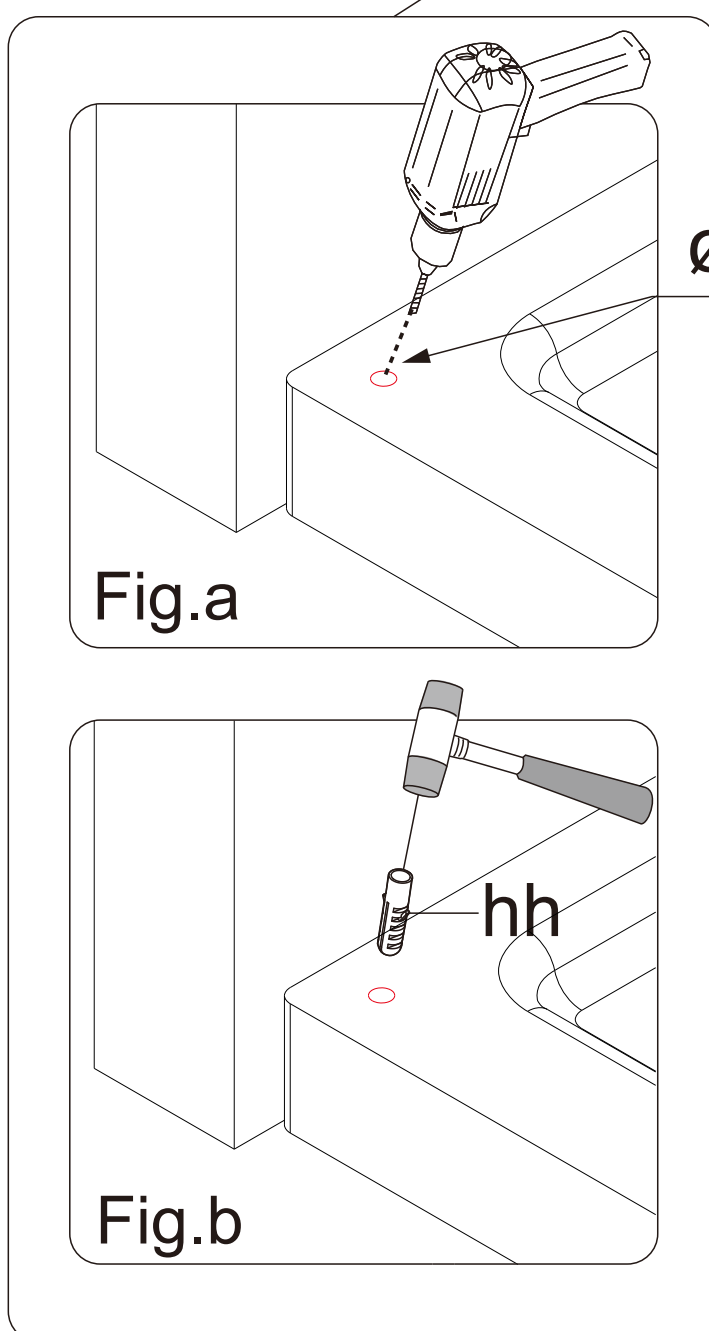
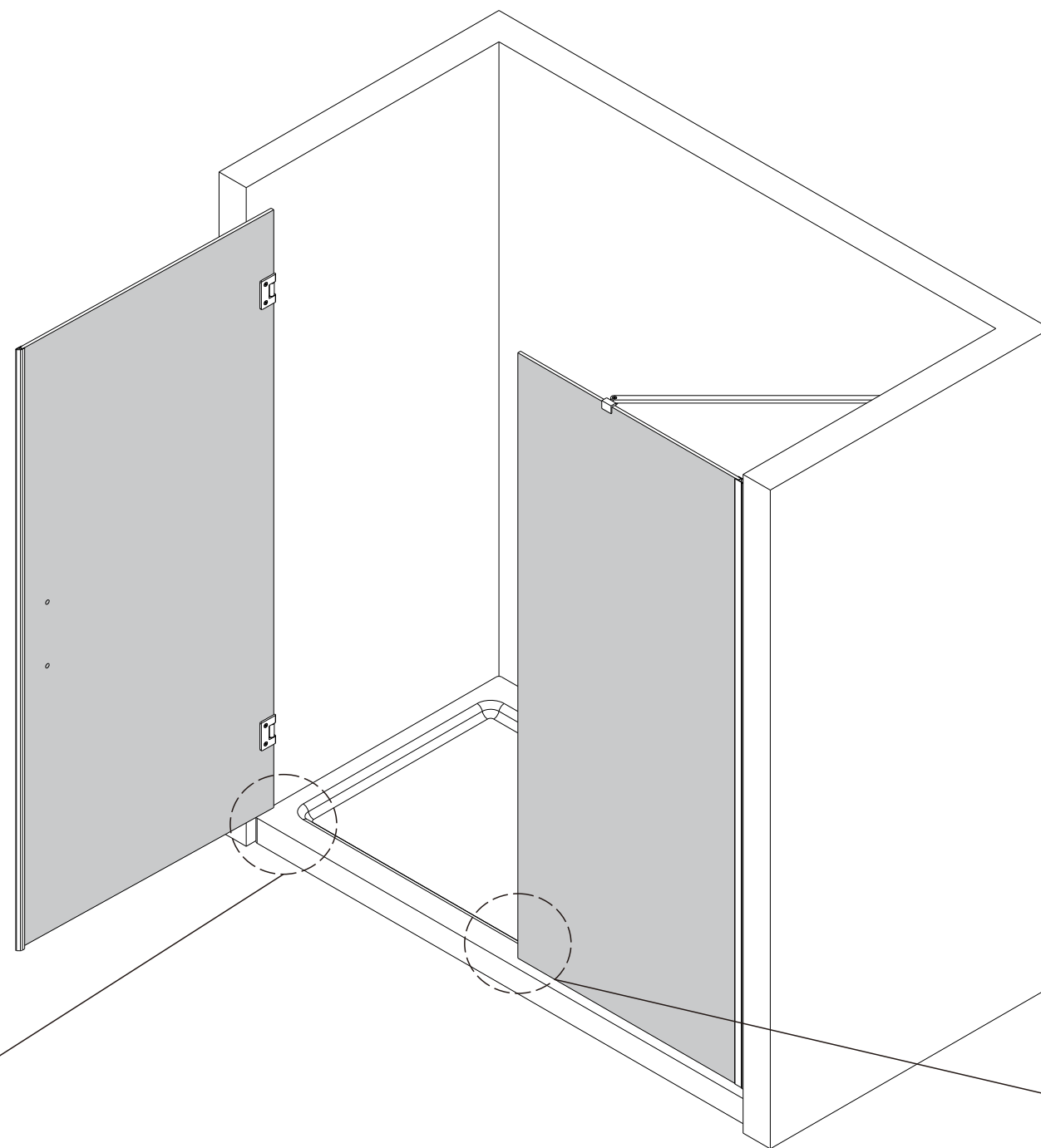


CAUTION:The **Connector(L&M)** is installed left and right according to the direction

10-3 Install **Wall Anchor(hh)**

NOTE

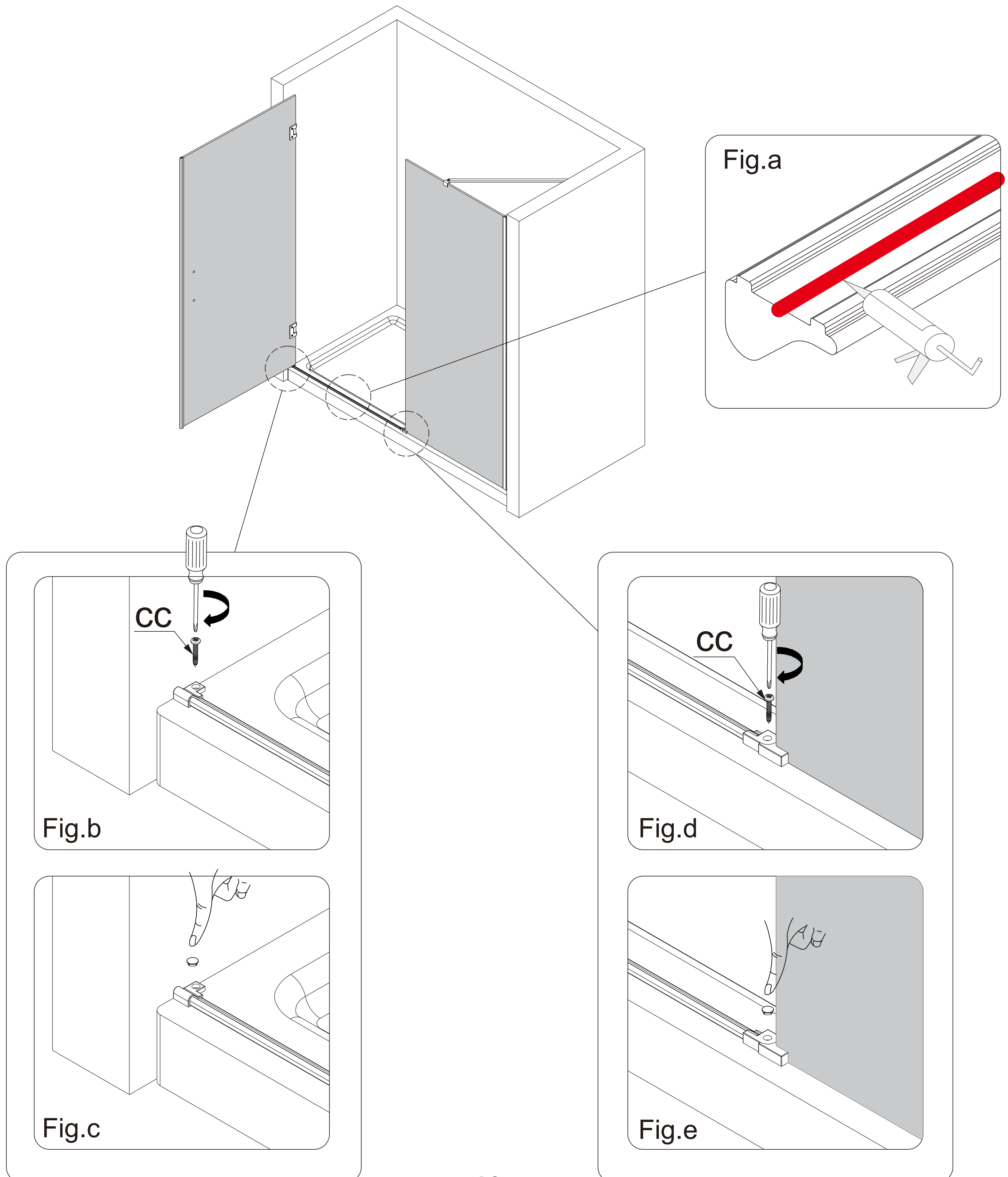
1. Drill holes with $\phi 6\text{mm}(1/4\text{'})$ drill bit as Fig.a and Fig.c .
2. Insert **Wall Anchors(hh)** as Fig.b and Fig.d .



10₋₄ Install **Alu. Threshold(N)** and **Connector(L&M)**

NOTE

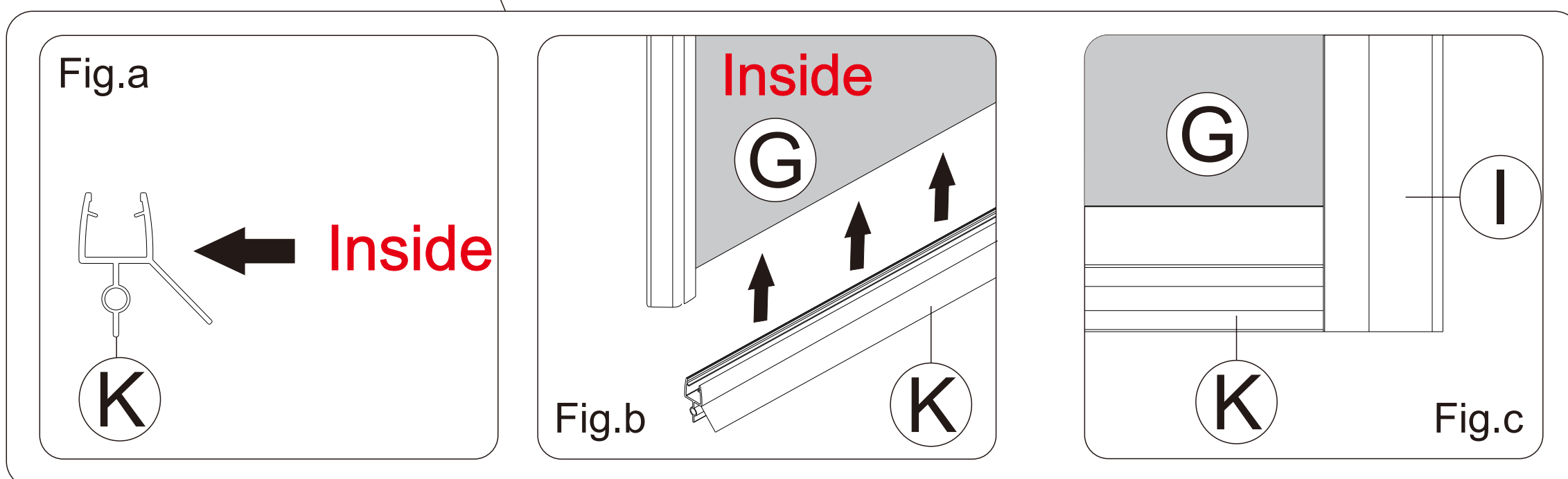
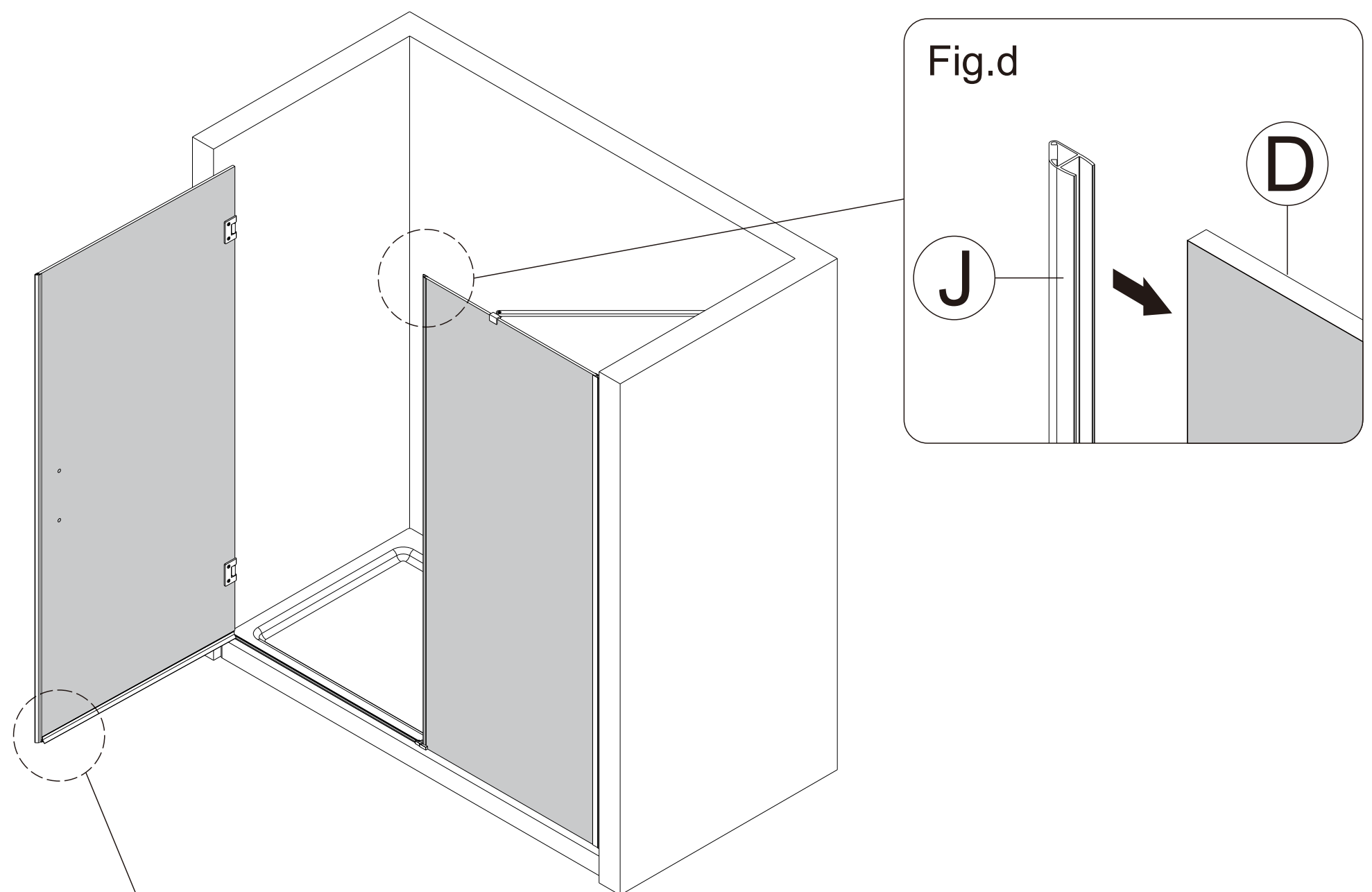
1. Lay glass glue on the **Alu. Threshold(N)** as Fig.a.
2. Fix them **Connector(M&L)** with **screw(cc)** as Fig.b and Fig.d.
3. Insert the **Connectors(M&L)** cover cap as Fig.c and Fig.e.



11 Install **Magnetic Strip(J)** and **Bottom Anti-Water Strip(K)**

NOTE

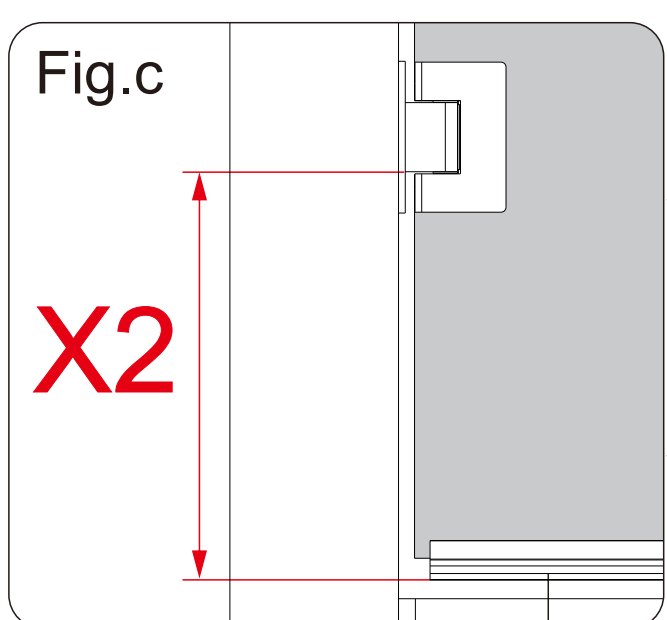
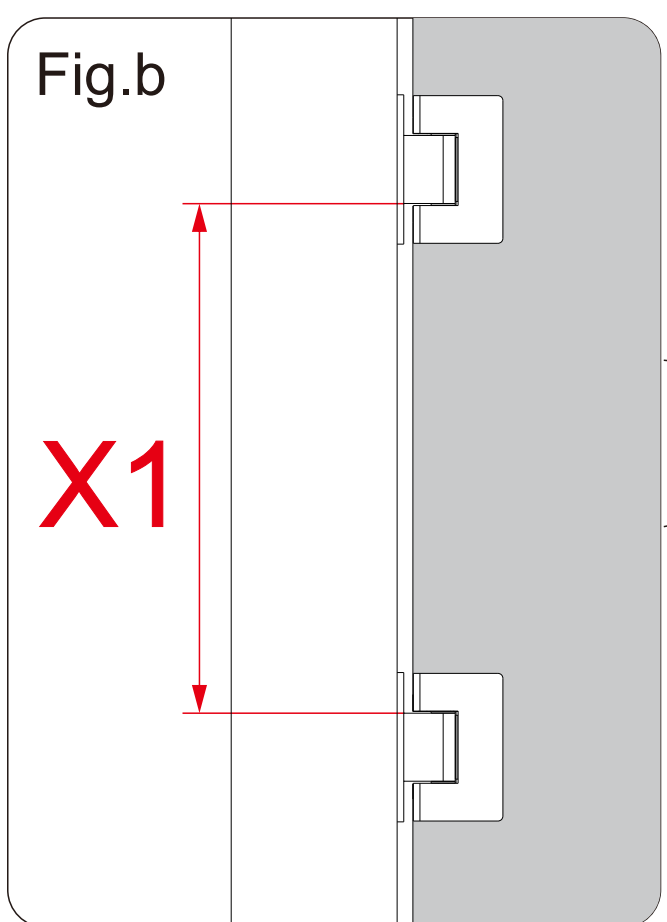
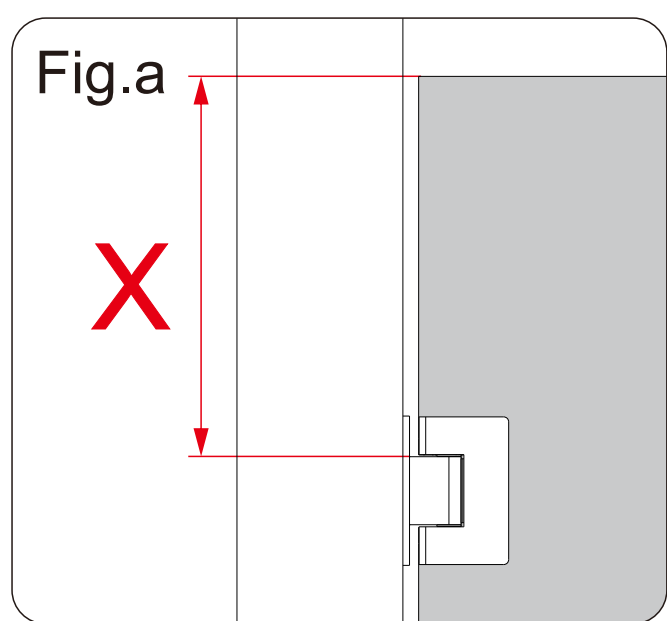
1. Pay attention to the installation direction of the **Bottom Anti-Water Strip(K)** as Fig.a.
2. Install the **Bottom Anti-Water Strip(K)** on the **Glass Door(G)** as Fig.b.
3. The **Magnetic Strip (I)** is flush with the bottom of the **Bottom Anti-Water Strip (K)** as Fig.c.
4. Install the **Magnetic Strip (J)** on the **Stationary Glass (D)** as Fig.d



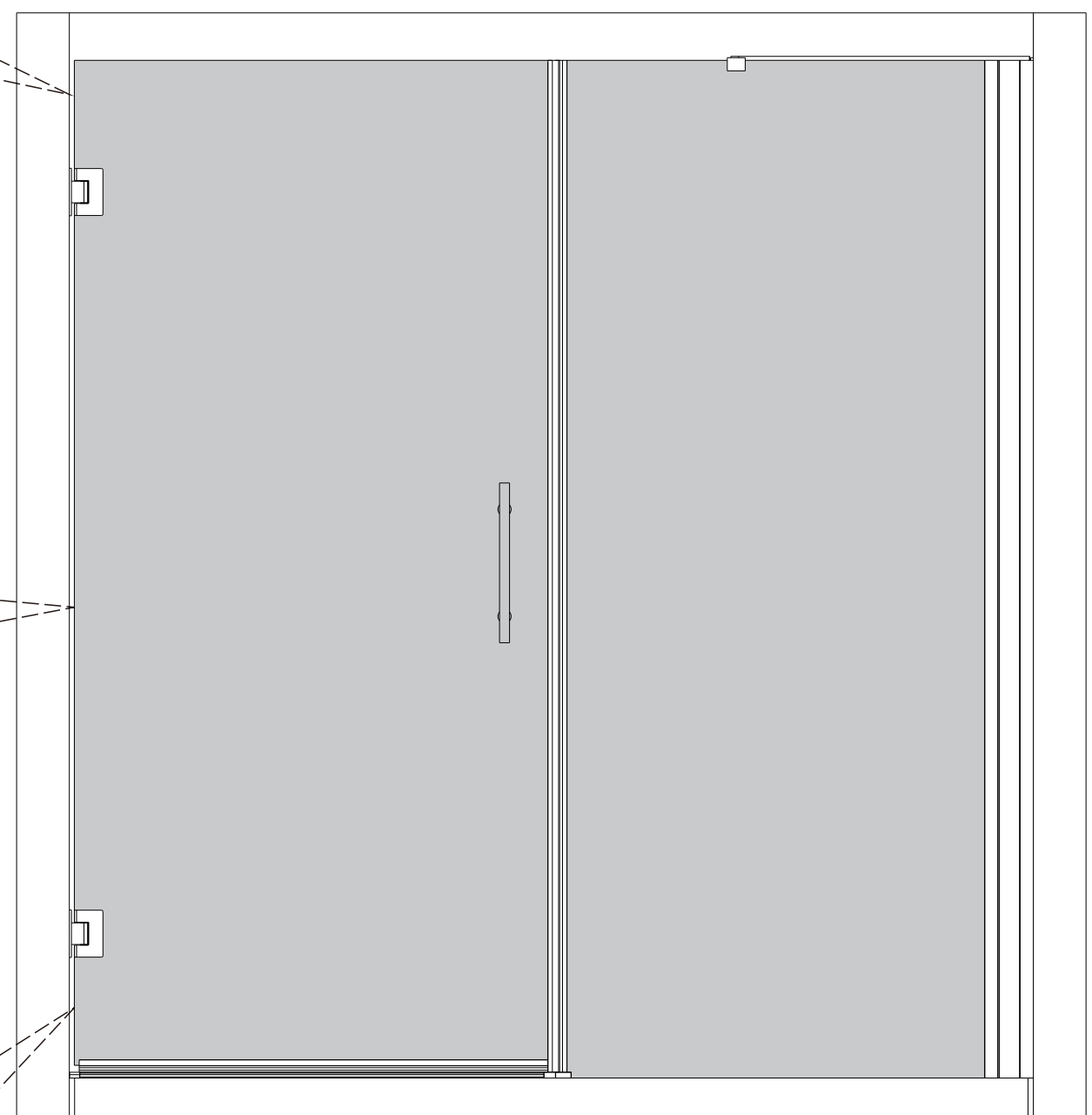
12₋₁ Install Anti-Water Strip(F)

NOTE

1. Measure the distance between the **Glass Door(G)** and the **Hinge(E)** as **Fig.a** and **Fig.b**.
2. Measure the distance between the of the **Hinge (E)** and the bottom **Anti-Water Strip(K)** as Fig.c.

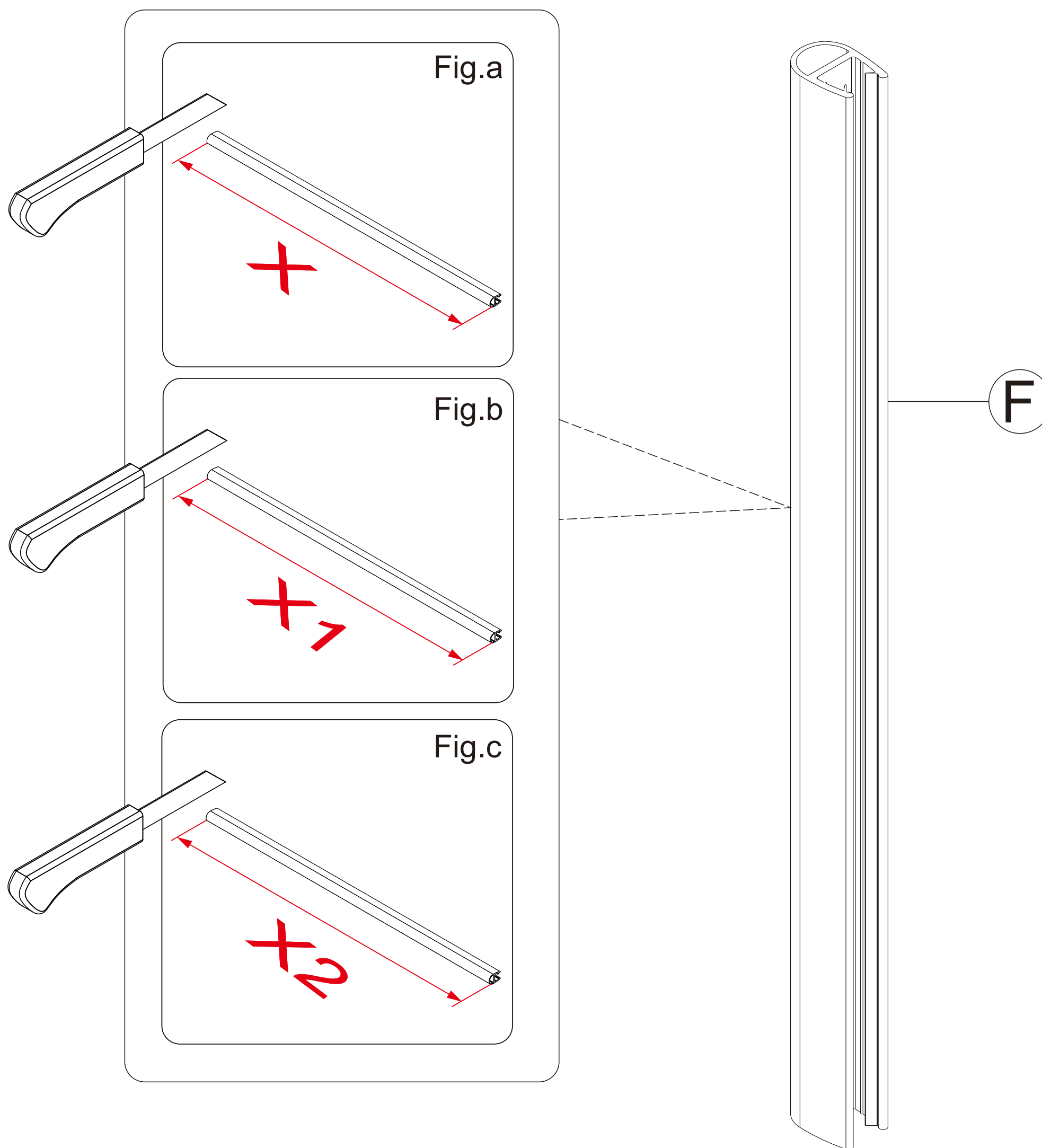


K



12-2 Install **Anti-Water Strip(F)**

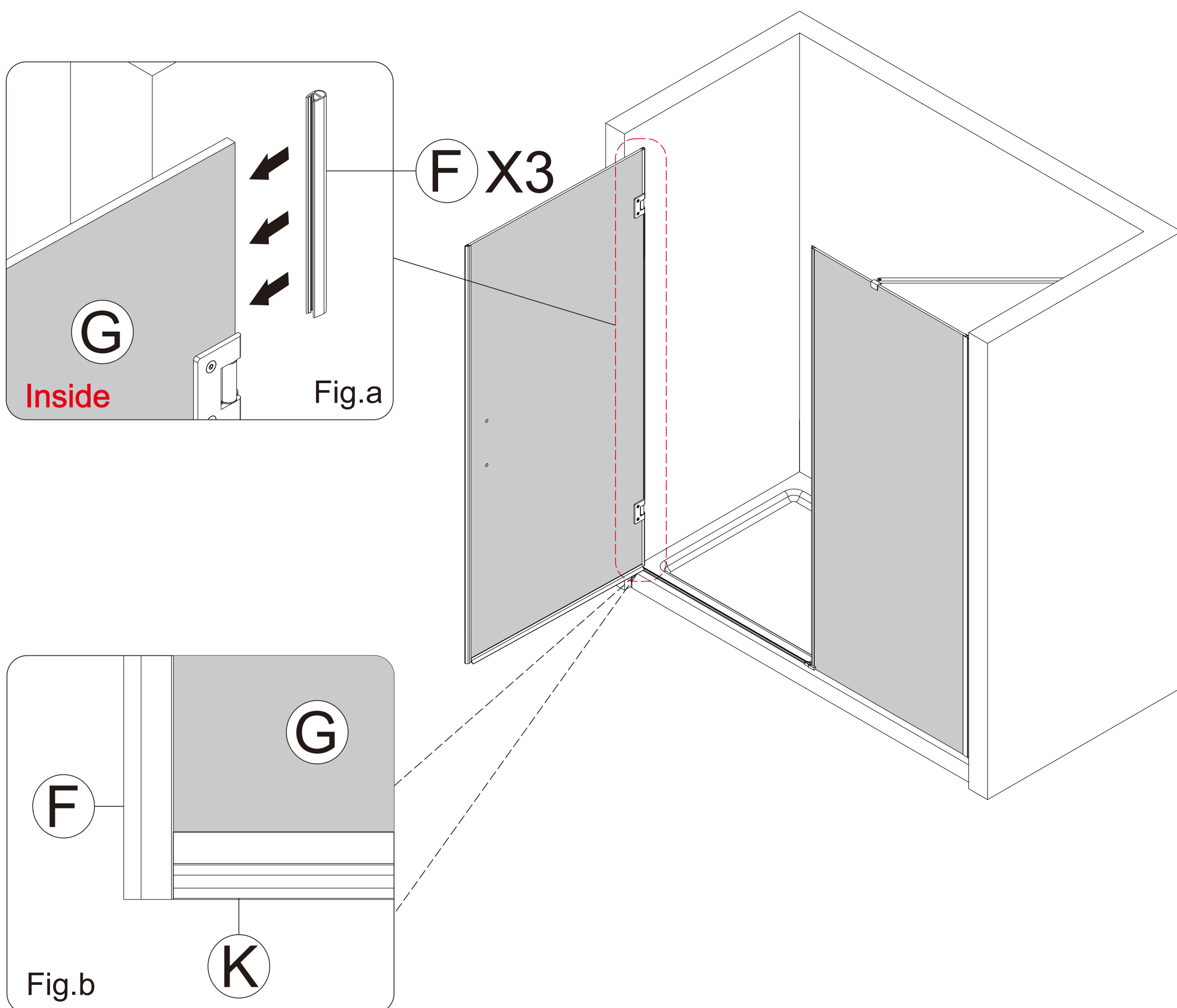
NOTE 1. Cut the **Anti-Water Strip(F)** to the appropriate size as Fig.a、 Fig. b and Fig.c



12₋₃ Install **Anti-Water Strip(F)**

NOTE

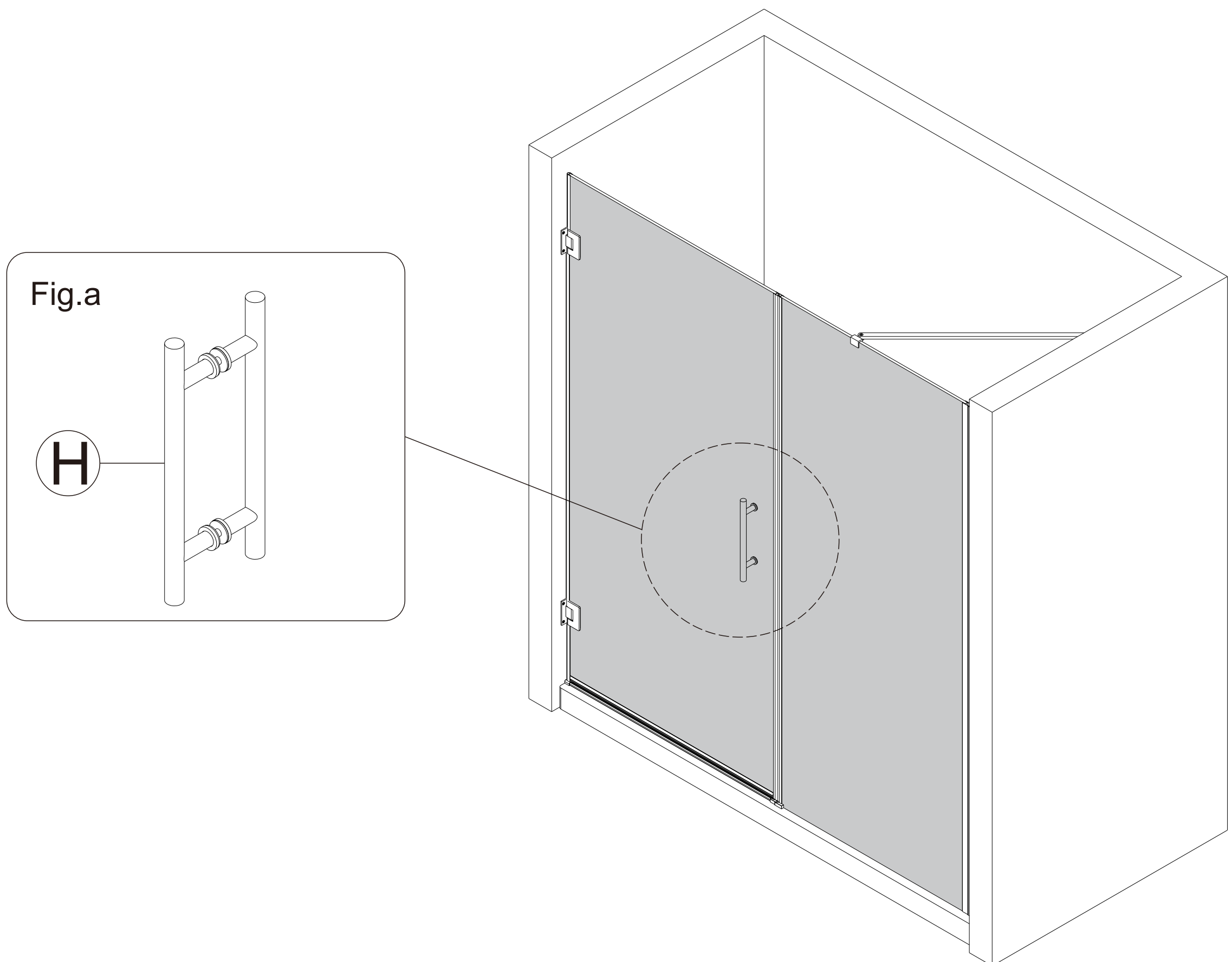
1. Install the **Anti-Water Strip (F)** on the **Glass Door (G)** as **Fig.a**
2. The bottom of the **Anti-Water Strip (F)** is flush with the bottom of the **Bottom Anti-Water Strip(K)** as **Fig.b**.



13 Install **Handle(D)**

NOTE

1. Install the **Handle (H)** on the **Glass Door (G)** as Fig.a.



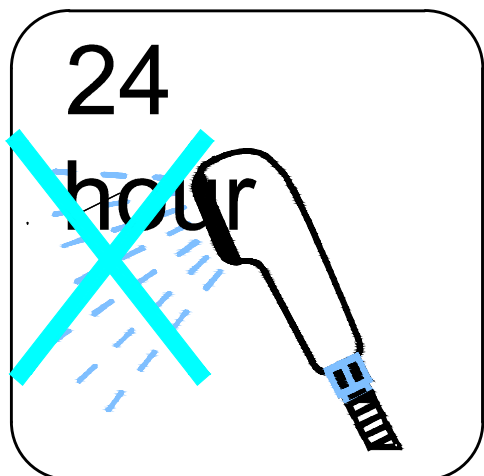
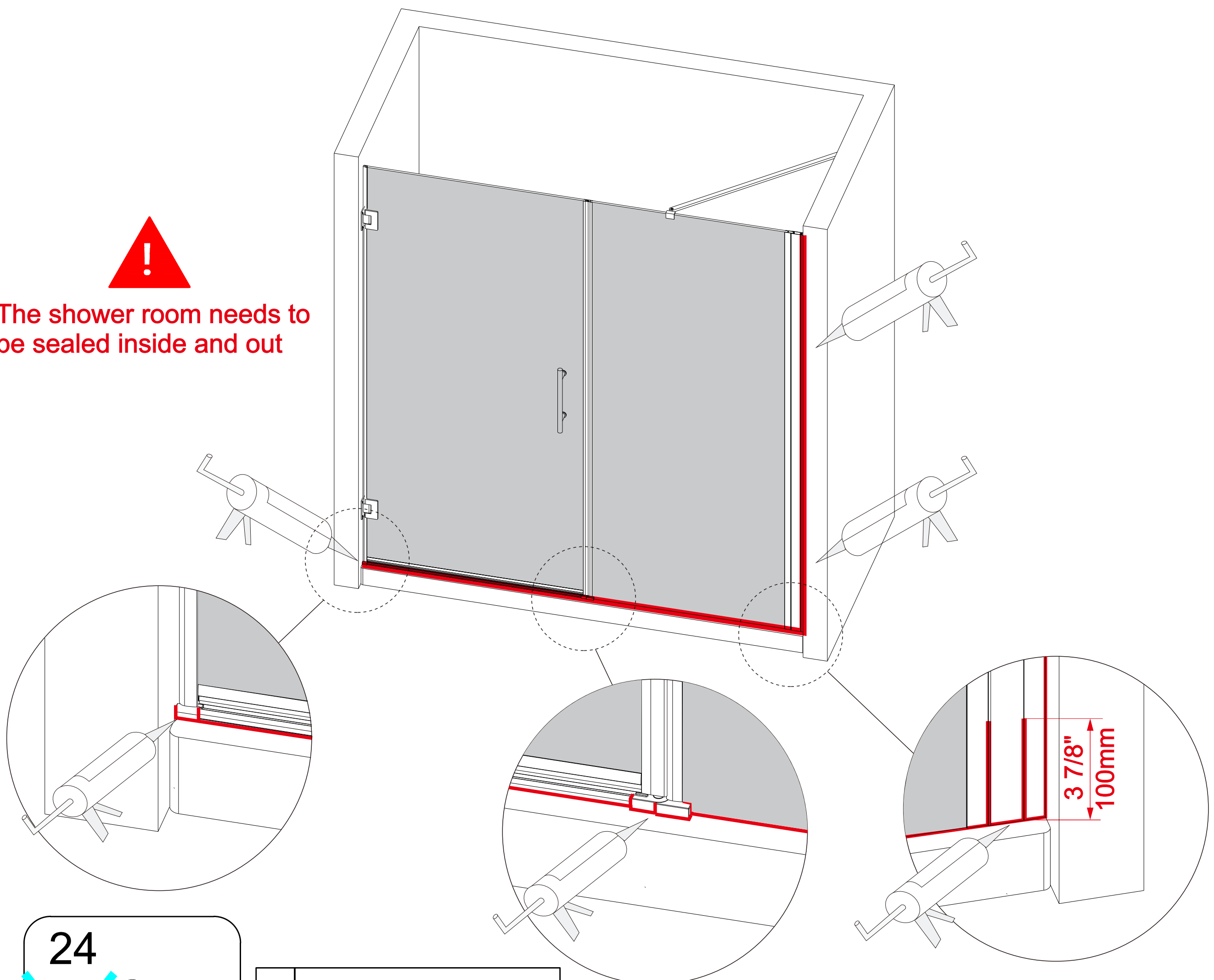
14 SEALING

NOTE The surfaces need to be clean and free of debris before applying silicone.

NOTE Make sure that the Shower door closes tightly and opens smoothly. Apply a good quality silicone sealant along the **Wall Jamb(B)** and **Alu. Threshold(N)**.

! Allow 24 hours for the silicone to cure before using the shower.

!
The shower room needs to be sealed inside and out



! Apply Silicone Sealant, (not supplied).